

MDS-JA333ES

SERVICE MANUAL

Self Diagnosis
Supported model

US Model
Canadian Model
AEP Model
UK Model



Photo : GOLD

U.S. and foreign patents licensed from Dolby Laboratories Licensing Corporation.

Model Name Using Similar Mechanism	MDS-JA555ES
MD Mechanism Type	MDM-6J
Base Unit Type	MBU-5J
Optical Pick-up Type	KMS-260B/J1N

SPECIFICATIONS

System	MiniDisc digital audio system	Inputs	
Disc	MiniDisc	ANALOG IN	Jack type: phono Impedance: 47 k Ω Rated input: 500 mVrms Minimum input: 125 mVrms
Laser	Semiconductor laser ($\lambda = 780$ nm) Emission duration: continuous MAX 44.6 μ W ¹⁾ <i>1) This output is the value measured at a distance of 200 mm from the objective lens surface on the Optical Pick-up Block with 7 mm aperture.</i>	DIGITAL IN OPT1	Connector type: square optical Impedance: 660 nm (optical wave length)
Laser output		DIGITAL IN OPT2	Connector type: square optical Impedance: 660 nm (optical wave length)
Laser diode	Material: GaAlAs	DIGITAL IN COAXIAL	Jack type: phono Impedance: 75 Ω Rated input: 0.5 Vp-p, ± 20 %
Revolutions (CLV)	400 rpm to 900 rpm	Outputs	
Error correction	ACIRC (Advanced Cross Interleave Reed Solomon Code)	PHONES	Jack type: stereo phone Rated output: 28 mW Load impedance: 32 Ω
Sampling frequency	44.1 kHz	ANALOG OUT	Jack type: phono Rated output: 2.5 Vrms (at 50 k Ω) Load impedance: over 10 k Ω
Coding	ATRAC (Adaptive TRansform Acoustic Coding)/ATRAC 3		
Modulation system	EFM (Eight-to-Fourteen Modulation)		
Number of channels	2 stereo channels		
Frequency response	5 to 20,000 Hz ± 0.3 dB		
Signal-to-noise ratio	Over 100 dB during play		
Wow and flutter	Below measurable limit		

— Continued on next page —

MINIDISC DECK

SONY®

SAFETY CHECK-OUT

DIGITAL OUT OPTICAL

Connector type: square optical
 Rated output: -18 dBm
 Load impedance: 660 nm (optical wave length)

DIGITAL OUT COAXIAL

Jack type: phono
 Rated output: 0.5 V_{p-p} (at 75Ω)
 Load impedance: 75Ω

General

Power requirements

Where purchased	Power requirements
US, Canadian	120 V AC, 60 Hz
AEP, UK	230 V AC, 50/60 Hz

Power consumption 20 W

Dimensions (approx.) $430 \times 123.5 \times 375.5$ mm ($17 \times 4 \frac{7}{8} \times 14 \frac{7}{8}$ in.) (w/h/d) incl. projecting parts and controls

Mass (approx.) 10.5 kg (23 lbs 15 oz)

Supplied accessories

- Audio connecting cords (2)
- Optical cable (1)
- Remote commander (remote) (1)
- R6 (size-AA) batteries (2)

Design and specifications are subject to change without notice.

CAUTION

Danger of explosion if battery is incorrectly replaced. Replace only with the same or equivalent type recommended by the equipment manufacturer. Discard used batteries according to manufacture's instructions.

ADVARSEL!

Lithiumbatteri - Eksplosionsfare ved fejlagtig håndtering. Udskiftning må kun ske med batteri af samme fabrikat og type. Levér det brugte batteri tilbage til leverandøren.

ADVARSEL

Eksplosjonsfare ved feilaktig skifte av batteri. Benytt samme batteritype eller en tilsvarende type anbefalt av apparatfabrikanten. Brukte batterier katterier kasseres i henhold til fabrikantens

VARNIG

Explosionsfara vid felaktigt batteribyte. Använd samma batterityp eller en likvärdig typ som rekommenderas av apparattillverkaren. Kassera använt batteri enligt gällande förekriter.

VAROITUS

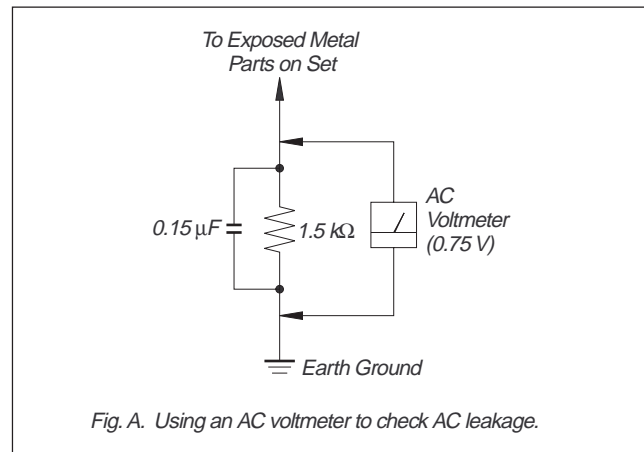
Parist voi räjähtää, jos se on virheellisesti asennettu. Vaihda paristo ainoastaan laitevalmistajan suosittelemaan tyyppiin. Hävitä käytetty paristo valmistajan ohjeiden mukaisesti.

After correcting the original service problem, perform the following safety checks before releasing the set to the customer: Check the antenna terminals, metal trim, "metallized" knobs, screws, and all other exposed metal parts for AC leakage. Check leakage as described below.

LEAKAGE

The AC leakage from any exposed metal part to earth ground and from all exposed metal parts to any exposed metal part having a return to chassis, must not exceed 0.5 mA (500 microamperes). Leakage current can be measured by any one of three methods.

1. A commercial leakage tester, such as the Simpson 229 or RCA WT-540A. Follow the manufacturers' instructions to use these instruments.
2. A battery-operated AC milliammeter. The Data Precision 245 digital multimeter is suitable for this job.
3. Measuring the voltage drop across a resistor by means of a VOM or battery-operated AC voltmeter. The "limit" indication is 0.75 V, so analog meters must have an accurate low-voltage scale. The Simpson 250 and Sanwa SH-63Trd are examples of a passive VOM that is suitable. Nearly all battery operated digital multimeters that have a 2 V AC range are suitable. (See Fig. A)



SAFETY-RELATED COMPONENT WARNING!!

COMPONENTS IDENTIFIED BY MARK \triangle OR DOTTED LINE WITH MARK \triangle ON THE SCHEMATIC DIAGRAMS AND IN THE PARTS LIST ARE CRITICAL TO SAFE OPERATION. REPLACE THESE COMPONENTS WITH SONY PARTS WHOSE PART NUMBERS APPEAR AS SHOWN IN THIS MANUAL OR IN SUPPLEMENTS PUBLISHED BY SONY.

ATTENTION AU COMPOSANT AYANT RAPPORT À LA SÉCURITÉ!

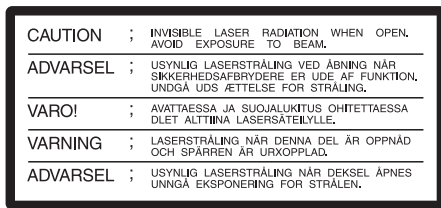
LES COMPOSANTS IDENTIFIÉS PAR UNE MARQUE \triangle SUR LES DIAGRAMMES SCHÉMATIQUES ET LA LISTE DES PIÈCES SONT CRITIQUES POUR LA SÉCURITÉ DE FONCTIONNEMENT. NE REMPLACER CES COMPOSANTS QUE PAR DES PIÈSES SONY DONT LES NUMÉROS SONT DONNÉS DANS CE MANUEL OU DANS LES SUPPLÉMENTS PUBLIÉS PAR SONY.

Laser component in this product is capable of emitting radiation exceeding the limit for Class 1.



This appliance is classified as a CLASS 1 LASER product. The CLASS 1 LASER PRODUCT MARKING is located on the rear exterior.

The following caution label is located inside the unit.



CAUTION
Use of controls or adjustments or performance of procedures other than those specified herein may result in hazardous radiation exposure.

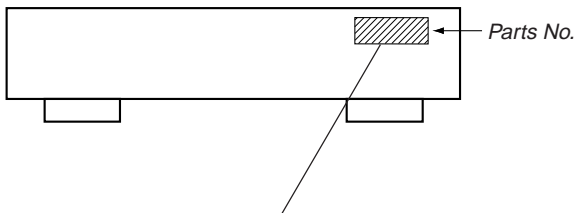
Notes on chip component replacement

- Never reuse a disconnected chip component.
- Notice that the minus side of a tantalum capacitor may be damaged by heat.

Flexible Circuit Board Repairing

- Keep the temperature of soldering iron around 270°C during repairing.
- Do not touch the soldering iron on the same conductor of the circuit board (within 3 times).
- Be careful not to apply force on the conductor when soldering or unsoldering.

MODEL IDENTIFICATION — BACK PANEL —



- 4-228-930-1 □ : AEP, UK model
- 4-228-930-2 □ : US model
- 4-228-930-3 □ : Canadian model

TABLE OF CONTENTS

1. SERVICING NOTE 6

2. GENERAL 12

3. DISAssembly

3-1. Case 16

3-2. Loading Panel 16

3-3. Front Panel Assembly 17

3-4. MD Mechanism Deck 17

3-5. Tray Assembly 18

3-6. BU Holder Assembly 19

3-7. Motor (Loading) Assembly (M10) 19

3-8. Base Unit (MBU-5J) 20

3-9. BD Board 20

3-10. Over Light Head (HR901) 21

3-11. Mini Disc Device (KMS-260B/J1N) 21

4. TEST MODE 22

5. ELECTRICAL ADJUSTMENTS 27

6. DIAGRAMS

6-1. Block Diagrams 37

 Main Section 37

 Display/Power Supply Section 38

6-2. Circuit Board Location 39

6-3. Printed Wiring Board BD Section 40

6-4. Schematic Diagram BD Section (1/2) 41

6-5. Schematic Diagram BD Section (2/2) 42

6-6. Schematic Diagram BD Switch Section 43

6-7. Printed Wiring Board BD Switch Section 43

6-8. Printed Wiring Board AD Section 44

6-9. Schematic Diagram AD Section 45

6-10. Printed Wiring Board DIO Section 46

6-11. Schematic Diagram DIO Section 47

6-12. Printed Wiring Board DA Section 48

6-13. Schematic Diagram DA Section 49

6-14. Printed Wiring Board DIGITAL Section 50

6-15. Schematic Diagram DIGITAL Section 51

6-16. Schematic Diagram HP Section 52

6-17. Printed Wiring Board HP Section 53

6-18. Schematic Diagram POWER Section 54

6-19. Printed Wiring Board POWER Section 55

6-20. Printed Wiring Board PANEL Section 56

6-21. Schematic Diagram PANEL Section 57

6-22. Printed Wiring Board AC Section 58

6-23. Schematic Diagram AC Section 59

6-22. IC Block Diagrams 61

6-23. IC PinFunction Description 66

7. EXPLODED VIEWS

7-1. Upper Case Assembly 73

7-2. Front Panel Assembly 74

7-3. Chassis Assembly 75

7-4. Mechanism Deck Assembly-1 (MDM-6J) 76

7-5. Mechanism Deck Assembly-2 (MDM-6J) 77

7-6. Base Unit (MBU-5J) 78

8. ELECTRICAL PARTS LIST 79

SELF-DIAGNOSIS FUNCTION

The self-diagnosis function consists of error codes for customers which are displayed automatically when errors occur, and error codes which show the error history in the test mode during servicing. For details on how to view error codes for the customer, refer to the following box in the instruction manual. For details on how to check error codes during servicing, refer to the following “Procedure for using the Self-Diagnosis Function (Error History Display Mode)”.

The deck’s self-diagnosis function automatically checks the condition of the MD deck when an error occurs, then issues a three- or five-digit code and an error message on the display. If the code and message alternate, find them in the following table and perform the indicated countermeasure. Should the problem persist, consult your nearest Sony dealer.

Three- or five-digit code/ Message	Cause/Remedy
C11/Protected	The inserted MD is record-protected. Take out the MD and close the record-protect slot.
C12/Cannot Copy	You tried to record a CD with a format that the external device connected to the deck does not support, such as CD-ROM or video CD. Remove the disc and insert a music CD.
C13/REC Error	The recording was not made properly. Set the deck in a stable surface, and repeat the recording procedure.
	The inserted MD is dirty (with smudges, fingerprints, etc.), scratched, or substandard in quality. Replace the disc and repeat the recording procedure.
C13/Read Error	The deck could not read the TOC on the MD properly. Take out the MD and insert it again.
C14/Toc Error	The deck could not read the TOC on the MD properly. Insert another disc. If possible, erase all the tracks on the MD.
C41/Cannot Copy	The sound source is a copy of commercially available music software, or you tried to record a CD-R (Recordable CD). The Serial Copy Management System prevents making a digital copy. You cannot record a CD-R.

Three- or five-digit code/ Message	Cause/Remedy
C71/Din Unlock	The sporadic appearance of this message is caused by the digital signal being recorded. This will not affect the recording.
	While recording from a digital component connected through the DIGITAL IN connector, the digital connecting cable was unplugged or the digital component turned off. Connect the cable or turn the digital component back on.
E0001/ MEMORY NG	There is an error in the internal data that the deck needs in order to operate. Consult your nearest Sony dealer.
E0101/ LASER NG	There is a problem with the optical pickup. The optical pickup may have failed. Consult your nearest Sony dealer.

PROCEDURE FOR USING THE SELF-DIAGNOSIS FUNCTION (ERROR HISTORY DISPLAY MODE)

Note: Perform the self-diagnosis function in the “error history display mode” in the test mode. The following describes the least required procedure. Be careful not to enter other modes by mistake. If you set other modes accidentally, press the **MENU/NO** button to exit the mode.

- While pressing the **AMS** knob and **STOP** button, connect the power plug to the outlet, and release the **AMS** knob and **STOP** button. When the test mode is set “[Check]” is displayed.
- Turn the **AMS** knob and when “[Service]” is displayed, press the **YES** button.
- Turn the **AMS** knob to display “Err Display”.
- Press the **YES** button to sets the error history mode and displays “op rec tm”.
- Select the contents to be displayed or executed using the **AMS** knob.
- Press the **AMS** knob to display or execute the contents selected.
- Press the **AMS** knob another time to return to step 4.
- Press the **MENU/NO** button to display “Err Display” and release the error history mode.
- To release the test mode, press the **REPEAT** button. The unit sets into the STANDBY state and the test mode ends.

[ITEMS OF ERROR HISTORY MODE ITEMS AND CONTENTS]






Display	Details of History
op rec tm	Displays the total recording time. When the total recording time is one minute or longer, displays the time and minute. When the total recording time is less than one minute, displays "Under 1 min". The displayed time is about 1/4 of the actual recording time when the laser is set to the high power state.
op play tm	Displays the total playback time. When the total playback time is one minute or longer, displays the time and minute. When the total playback time is less than one minute, displays "Under 1 min".
spdl rp tm	Displays the total time when the spindle motor rotates. When the total rotation time is one minute or longer, displays the time and minute. When the total rotation time is less than one minute, displays "Under 1 min".
retry err	Displays the total number of retries during recording and number of retry errors during playback. Displayed as "r xx p yy". "xx" indicates the number of retries during recording, "yy" indicates the number of retry errors during playback. The numbers are displayed in hexadecimal from 00 to FF.
total err	Displays the total number of errors. Displayed as "total xx". The number is displayed in hexadecimal from 00 to FF.
err history	Displays the last ten errors. Displayed as "0x ErrCd@@". "x" indicates the history number. A smaller number indicates a more recent error (00 is the latest). @@ indicates the error code. The error history number is selected by turning the  knob.
retry adrs	Displays the last five retry addresses. Displayed as "xx ADRS yyyy". "xx" indicates the history number. "yyyy" indicates the cluster where the retry occurred. The history number is selected by turning the  knob.
er refresh	Mode which erases the error history and the retry address history [Operation procedure] ① When "er refresh" is displayed, press the  knob. ② After the display changes to "er refresh?", press the YES button. The "Complete!" message indicates that the operation has ended. After executing this mode, be sure to check the following: <ul style="list-style-type: none"> • The data has been erased. • The mechanism runs normally when recording and playback are performed.
op change	Mode which erases the total time of "op rec tm" and "op play tm" These histories are used as a guideline for the time to replace the optical pick-up. After replacing the optical pick-up, perform this operation to erase the history. [Operation procedure] ① When "op change" is displayed, press the  knob. ② After the display changes to "op change?", press the YES button. The "Complete!" message indicates that the operation has ended.
spdl change	Mode which erases the total time of "spdl rp tm" The history is used as a guideline for the time to replace the spindle motor. After replacing the spindle motor, perform this operation to erase the history. [Operation procedure] ① When "spdl change" is displayed, press the  knob. ② After the display changes to "spdl change?", press the YES button. The "Complete!" message indicates that the operation has ended.

Table of Error Codes

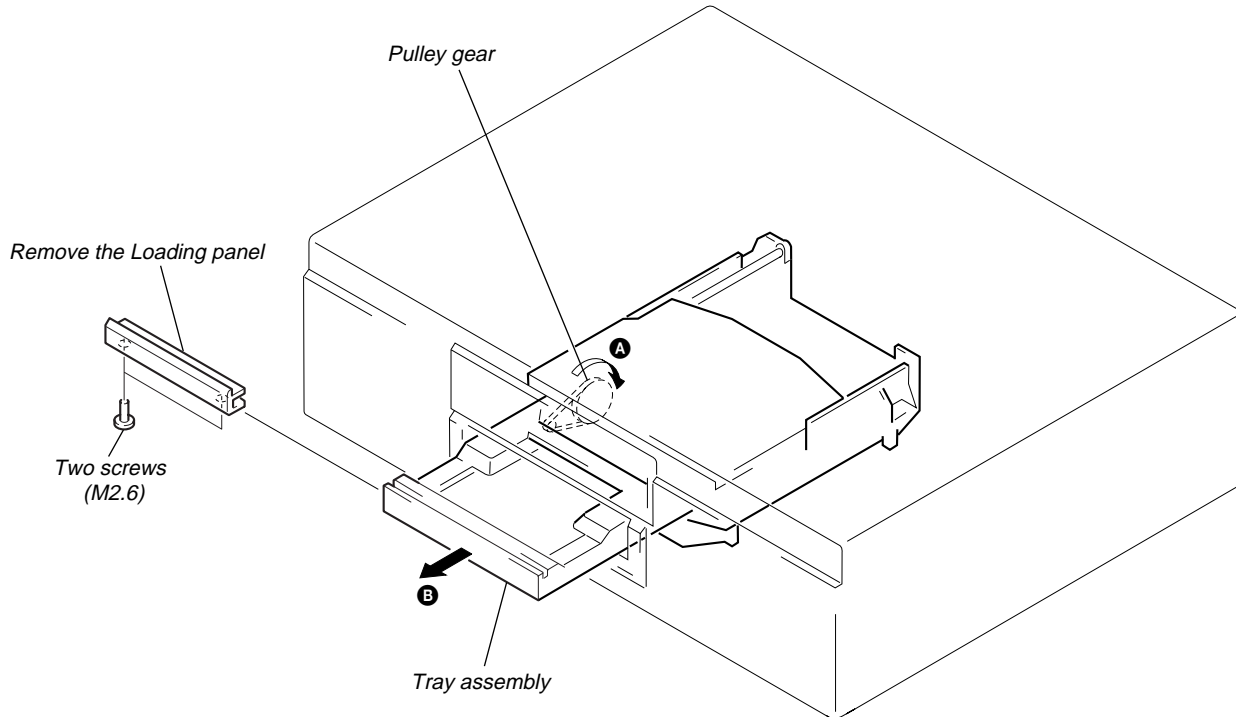
Error Code	Details of Error	Error Code	Details of Error
10	Loading error	31	There is an abnormality in the sector contents.
12	The combination of loading switches is not acceptable.	40	An error caused a retry during continuous recording.
20	Time out. The beginning of PTOC cannot be read.	41	Retry was executed due to DRAM overflow.
21	Contents error. The beginning of PTOC can be read.	42	Retry was executed during TOC writing.
22	Time out. Access to UTOC failed.	43	S.F Edit was aborted due to retry.
23	Time out. UTOC cannot be read.	50	Address cannot be read although access processing is not in progress.
24	Contents error of UTOC		
30	Playback start error	51	Runaway due to focus NG

SECTION 1

SERVICING NOTE

HOW TO OPEN THE DISC TRAY WHEN POWER SWITCH IS TURNED OFF, AND LASER POWER CHECK

- ① Remove the 16 screws (BVTT3 x 8) from the bottom plate. (Refer to Section 3 “Disassembly” Loading panel.)
- ② Remove the bottom plate.
- ③ Rotate the pulley gear in the direction of the arrow **(A)** and open the tray in the direction of the arrow **(B)**.
- ④ When checking the laser power, remove beforehand the loading panel by removing the two screws (M2.6) and sliding aside the loading panel. (Refer to Section 3 “Disassembly” Loading panel.)



Forced Reset

Use this function when the MDS-JA333ES cannot be operated normally due to hung-up of the microprocessor.

It is recommended to use this function when you cannot exit the test mode or the retry-cause-display mode, or when the normal operation cannot be performed after the MDS-JA333ES is disassembled once then re-assembled.

To inspect the printed circuit boards, use the following jigs.

<ul style="list-style-type: none">• Extension jig to inspect the DIG board
Jig for extension between DIG board CN801 and DA board CN501 Part code number: J-2501-075-A 1 pc 21 pins with 1 mm
Jig for extension between DIG board CN807 and FL board CN701 Part code number: J-2501-199-A 1 pc 21 pins with 1 mm
<ul style="list-style-type: none">• Extension jig to inspect the AD board
Jig for extension between DIG board CN802 and AD board CN301 Part code number: J-2501-200-A 1 pc 11 pins with 1 mm

[BD Board Waveform Check Tool]

Use of the exclusive tool (J-2501-149-A) is convenient to check the waveforms on the BD board.

GND : Ground terminal

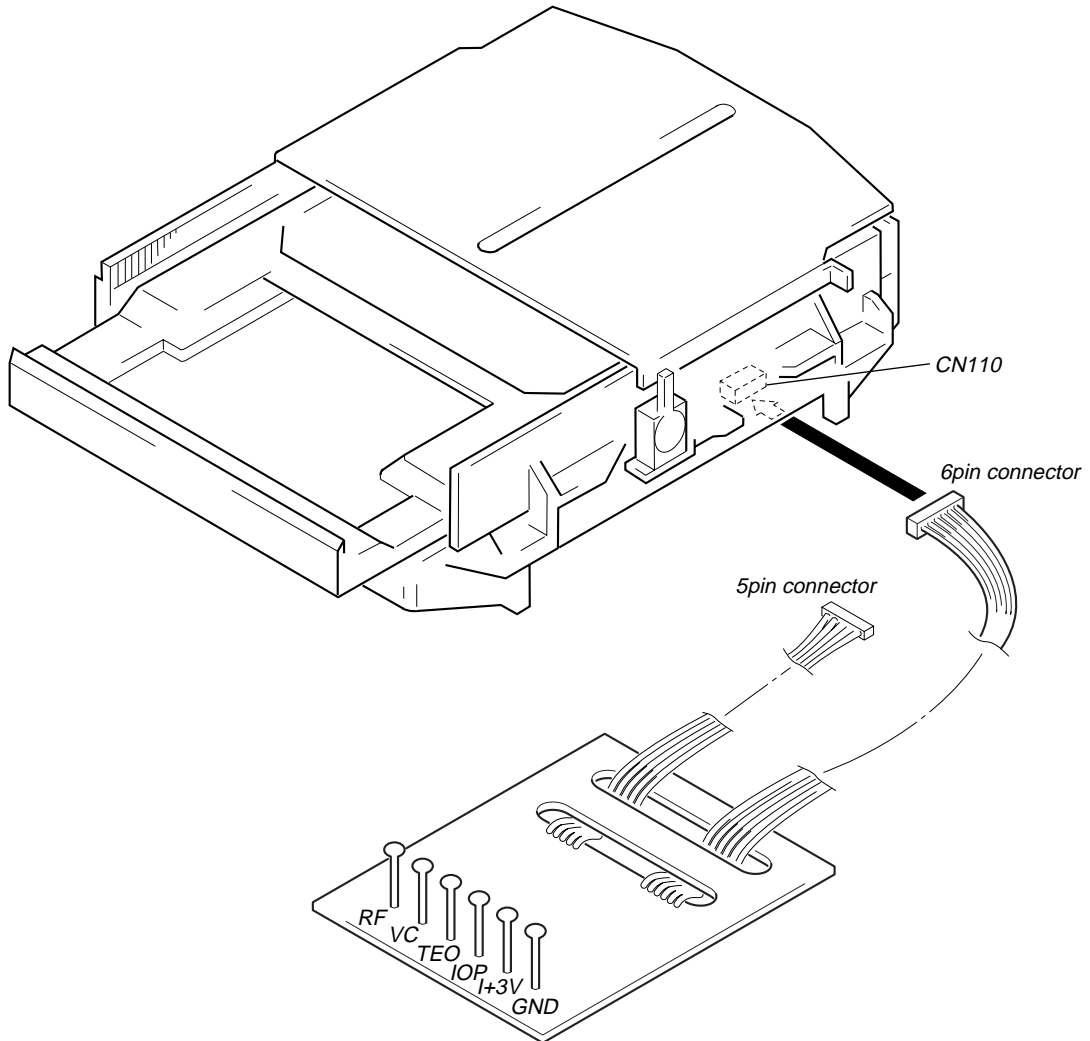
I+3V : For measuring IOP (Checking deterioration of the optical pick-up laser)

IOP : For measuring IOP (Checking deterioration of the optical pick-up laser)

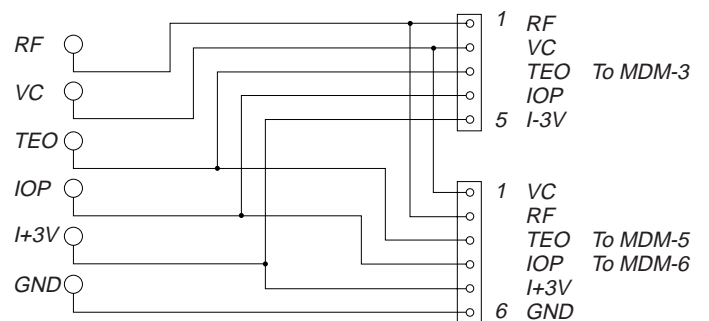
TEO : TRK error signal (traverse adjustment)

VC : Reference level for when checking signals

RF : RF signal (jitter check)
















Schematic diagram of the connecting tools














[How to Record and Display the IOP Data When Replacing the Optical Pick-up and Non-volatile Memory (BD Board IC171)]

The IOP data that is indicated on the optical pick-up, can be saved in the non-volatile memory of the MDS-JA333ES. Saving the IOP data in the memory eliminates the needs to look at the printed value on the label that is attached on the surface of optical pick-up, and enables to view the IOP data on display. When the optical pick-up is replaced or when the non-volatile memory (IC171 on BD board) is replaced, save the IOP value that is printed on the label on the surface of optical pick-up by the following procedure.

How to Record the IOP Data:

1. While pressing the  knob and the  button at the same time, connect the AC power plug to the wall outlet, then remove your hands from the  knob and  button at the same time. When the MDS-JA333ES enters the test mode, the message “[Check]” appears.
2. Rotate the  knob until the message “Service” appears. Then press the  button.
3. Rotate the  knob until the message “Iop Write” (C05) appears. Then press the  button.
4. “Ref=@@.@” (@ is arbitrary number) appears and the values that can be changed as desired flash.
5. Input the IOP value that is printed on the optical pick-up.
Selection of alphanumeric characters : Rotate the  knob.
Selection of digit : Press the  knob.
6. Press the  button. Then display changes to “Measu=@@@.@” (@ is arbitrary number).
7. The value that is shown step 6, is the result adjustment and should not be saved. So leave the value of step 6 as it is, and press the  button.
8. The message “Complete!” appears for a moment, and the value is saved in the non-volatile memory. The message “Iop Write” (C05) appears.
9. Upon completion of data saving, press the  button.

How to Display the IOP Data:

1. While pressing the  knob and the  button at the same time, connect the AC power plug to the wall outlet, then remove your hands from the  knob and  button at the same time. When the MDS-JA333ES enters the test mode, the message “[Check]” appears.
2. Rotate the  knob until the message “Service” appears. Then press the  button.
3. Rotate the  knob until the message “Iop Write” (C05) appears. Then press the  button.
4. The message “@@.@/##.#” appears. The contents that are saved in the non-volatile memory appear.
@@.@ : The IOP value that is printed on optical pick-up
##.# : The IOP value after adjustment
5. To exit the data display, press the  knob or the  button to show the message “Iop Read” (C26). Then press the  button.

[Checks before Part Replacement and Adjustment]

Cause of faulty can be approximately located by performing the following checks before starting the repair work. Refer to Section “5. Electrical Adjustment” the check procedure.

	Judgment criterion(NG when the measurement value is out of the specification value)	Remedial measure in case of NG
Laser power check (Refer to section 5-6-2.)	<ul style="list-style-type: none"> 0.9 mW power Specification value: 0.8 to 0.96 mW 6.2 mW power Specification value: 6.0 to 6.4 mW 	<ul style="list-style-type: none"> Cleaning the optical pick-up Readjustment Replacing the optical pick-up
	<ul style="list-style-type: none"> Iop (when 7 mW) The Iop value that is shown on the optical pick-up: +/- 4 mA 	<ul style="list-style-type: none"> Replacing the optical pick-up
Traverse check (Refer to section 5-6-3.)	<ul style="list-style-type: none"> Traverse waveform Specification value: Offset 5% or less 	<ul style="list-style-type: none"> Replacing the optical pick-up
Focus bias check (Refer to section 5-6-4.)	<ul style="list-style-type: none"> Checking the error rate Specification value: All points of a and b CI error 220 or less AD error 2 or less 	<ul style="list-style-type: none"> Replacing the optical pick-up
C PLAY check (Refer to section 5-6-5.)	<ul style="list-style-type: none"> Checking the error rate Specification value: a. When using the test disc (MDW-74/AU-1) CI error 50 or less AD error 2 or less b. When using the check disc (TDYS-1) CI error 20 or less 	<ul style="list-style-type: none"> Replacing the optical pick-up
Self record/playback check (Refer to section 5-6-6.)	<ul style="list-style-type: none"> Checking the error rate in C PLAY Specification value: CI error 50 or less AD error 2 or less 	In case of NG all the time: <ul style="list-style-type: none"> Replacing the overwrite head Check disconnection of the circuits around the overwrite head
		In case of intermittent NG: <ul style="list-style-type: none"> Check deformation of overwrite head Check mechanism around the sled
Temperature compensation offset check (Refer to section 5-6-1.)	<ul style="list-style-type: none"> NG when “T=@@(#)(NG” appears (@@ and ## are arbitrary numbers.) 	<ul style="list-style-type: none"> Check disconnection of the circuits around the D101 (BD board) Check signals around the IC101, IC121, CN102 and CN103 (BD board)

Note: The judgment criterion is shown for the purpose of judging if the performance is acceptable or not. This is not the specification value for adjustment. Use the specification value for adjustment when the MDS-JA333ES is going to be adjusted.

[Retry Cause Display Mode]

- In this test mode, the retry causes of the MDS-JA333ES during record and stop modes can be displayed on the fluorescent display tube. This mode becomes the “track mode” during playback in which the track information is available. This mode is useful for locating the defective area of the MDS-JA333ES.
- The contents to be displayed are as follows.
 - During record and stop modes: Retry cause, number of retries, and number of retry errors
 - During playback mode: Information such as disc types under playing back, position of playback and copyright.
 Each information is displayed in hexadecimal number.

Procedure:

- Load a recordable disc whose contents can be erased, into the MDS-JA333ES.
- Press the **[MENU/NO]** button. After the message “Edit Menu” appears on the fluorescent display tube, rotate the **[◀◀AMS▶▶]** knob until the message “All Erase ?” appears.
- Press the **[YES]** button. (Alternately the **[◀◀AMS▶▶]** knob can also be pressed.)
- The message “All Erase ?” appears on the fluorescent display tube. Then the numerals on the music calendar flash.
- Press the **[YES]** button, then the message “Complete !” appears. Press the **[■]** button immediately, and wait for about 15 seconds while keeping pressing the button. (Alternately the **[◀◀AMS▶▶]** knob can be pressed instead of **[YES]** button.)
- When the characters “TOC” have disappeared from the fluorescent display tube, remove your hands from the **[■]** button.
- Press the **[●REC]** button to enter the record standby mode. Then press the **[II]** button to start recording.
- When you want to enter the “Track mode”, press the **[▶]** button to start playback.
- To exit the test mode, press the **[L/C]** button. The message “TOC” flashes, the MDS-JA333ES enters the standby mode and exits the test mode.

Fig. 1 Reading the Test Mode Display (During record and stop modes)

[RTs@#e]**

Display on the fluorescent display tube

- @@** : Cause of retry
- ##** : Number of retries
- **** : Number of retry errors

Fig. 2 Reading the Test Mode Display (During playback)

[@@####\$\$]**

Display on the fluorescent display tube

- @@** : Parts No. (Area name that is given on the TOC)
- ##** : Cluster address (physical address on the disc)
- **** : Sector
- \$\$** : Track mode (track information such as copyright information of each part, etc.)

How to read the retry cause display:

Hexadecimal	Higher Bits				Lower Bits				Hexadecimal	Name of retry cause	When 1
	8	4	2	1	8	4	2	1			
Bit	b7	b6	b5	b4	b3	b2	b1	b0			
Binary number	0	0	0	0	0	0	0	1	01	shock	When track jump (shock) is detected
	0	0	0	0	0	0	1	0	02	ader5	When ADER is counted five times or more continuously
	0	0	0	0	0	1	0	0	04	Address is not continuous	When ADIP address is not continuous
	0	0	0	0	1	0	0	0	08	DIN unlock	Detects DIN unlock is detected
	0	0	0	1	0	0	0	0	10	FCS unlock	When focus is unlocked
	0	0	1	0	0	0	0	0	20	IVR rec error	When signal level of the ABCD signal exceeds the specified range
	0	1	0	0	0	0	0	0	40	CLV unlock	When CLV is unlocked
	1	0	0	0	0	0	0	0	80	Access fault	When access operation is not performed normally

Reading the Display:

Convert the hexadecimal display of each digit into binary display. If more than two causes, they will be added.

Example When 42 is displayed:

Higher bit: 4 = 0100 → b6

Lower bit: 2 = 0010 → b1

In this case, the retry cause is combined of “CLV unlock” and “ader5”.

Example When A2 is displayed:

Higher bit: A = 1010 → b7+b5

Lower bit: 2 = 0010 → b1

In this case, the retry cause is combined of “Access fault”, “IVR rec” and “ader5”.

The reading of the track mode display is as follows.

Hexadecimal	Higher Bits				Lower Bits				Hexadecimal	Details	
	8	4	2	1	8	4	2	1		When 0	When 1
Bit	b7	b6	b5	b4	b3	b2	b1	b0			
Binary	0	0	0	0	0	0	0	1	01	Emphasis OFF	Emphasis ON
	0	0	0	0	0	0	1	0	02	Monaural	Stereo
	0	0	0	0	0	1	0	0	04	This is 2-bit display. Normally 01.	
	0	0	0	0	1	0	0	0	08	01:Normal audio. Others:Invalid	
	0	0	0	1	0	0	0	0	10	Audio (Normal)	Invalid
	0	0	1	0	0	0	0	0	20	Original	Digital copy
	0	1	0	0	0	0	0	0	40	Copyright exists	No copyright
	1	0	0	0	0	0	0	0	80	Write prohibited	Write is allowed

Reading the Display:

Convert the hexadecimal display of each digit into binary display. The several causes are added and displayed.

Example When 84 is displayed:

Higher bit: 8 = 1000 → b7

Lower bit: 4 = 0100 → b2

This example shows that “Emphasis: OFF”, “Monaural”, “Original”, “Copyright exists” and “Writing is allowed” because b2 and b7 are 1 while all other bits are 0.

Example When 07 is displayed:

Higher bit: 0 = 0000 → all 0

Lower bit: 7 = 0111 → b0+b1+b2

This example shows that “Emphasis: ON”, “Stereo”, “Original”, “Copyright exists” and “Writing is prohibited” because b0, b1 and b2 are 1 while all other bits are 0.

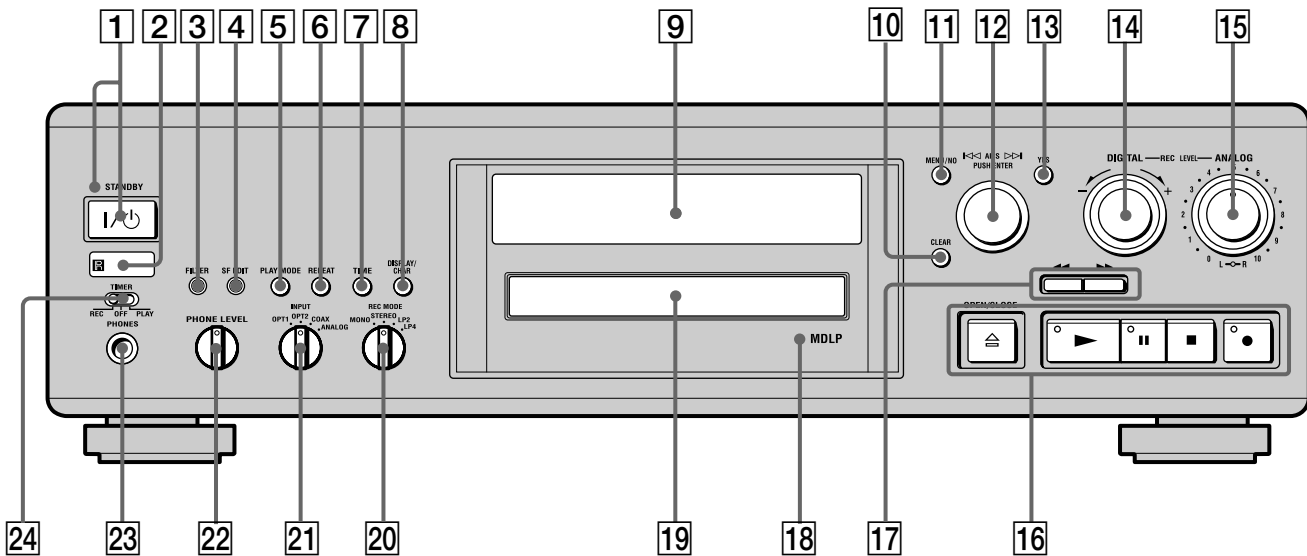
Hexadecimal → Binary Conversion Table

Hexadecimal	Binary	Hexadecimal	Binary
0	0000	8	1000
1	0001	9	1001
2	0010	A	1010
3	0011	B	1011
4	0100	C	1100
5	0101	D	1101
6	0110	E	1110
7	0111	F	1111

SECTION 2 GENERAL

This section is extracted from instruction manual.

Front panel description

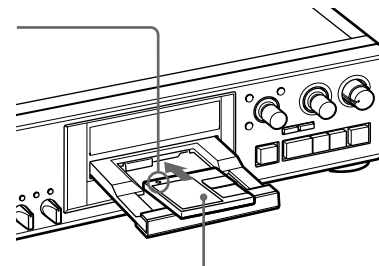


- 1 I/⏻ (power) switch/STANDBY indicator (14) (23)**
Press to turn on the deck. When you turn on the deck, the STANDBY indicator turns off. When you press the switch again, the deck turns off and the indicator lights up.
- 2 Remote sensor (10)**
Point the remote toward this sensor (📡) for remote operations.
- 3 FILTER button (43)**
Press to select the type of the digital filter.
- 4 S.F EDIT button (38)**
Press to change the recorded level after recording.
- 5 PLAY MODE button (27) (42)**
Press to select Shuffle Play or Program Play or resume normal play.
- 6 REPEAT button (26)**
Press to play tracks repeatedly.
- 7 TIME button (18) (22)**
Press to display the remaining time.
- 8 DISPLAY/CHAR button (9) (15) (17) (24) (27) (35)**

- 16 OPEN/CLOSE A button (14) (23)**
Press to insert or eject the MD.
▶ button (14) (23)
Press to start play.
⏸ button (14) (23)
Press to pause play or recording. Press again to resume play or recording.
■ button (15) (23)
Press to stop play or recording, or cancel the selected operation.
- button (14) (18) (19)**
Press to record to the MD, monitor the input signal, or mark track numbers.
- 17 ◀◀ / ▶▶ buttons (25) (27) (30) (35)**
Press to locate a portion within a track, change the contents of a program, or change the input character.
- 18 MDLP indicator (16) (23)**
Lights when the deck is playing or recording to an MD in LP2 or LP4 Stereo mode.
- 19 MD disc tray (14) (23)**
Insert an MD as illustrated below.

Press while the deck is	To
Recording or recording pause	Adjust the recording level
Stopped	Display disc information or the contents of a program
Recording	Display information on the track being recorded
Playing	Display information on the current track
Editing	Select the type of characters to be input

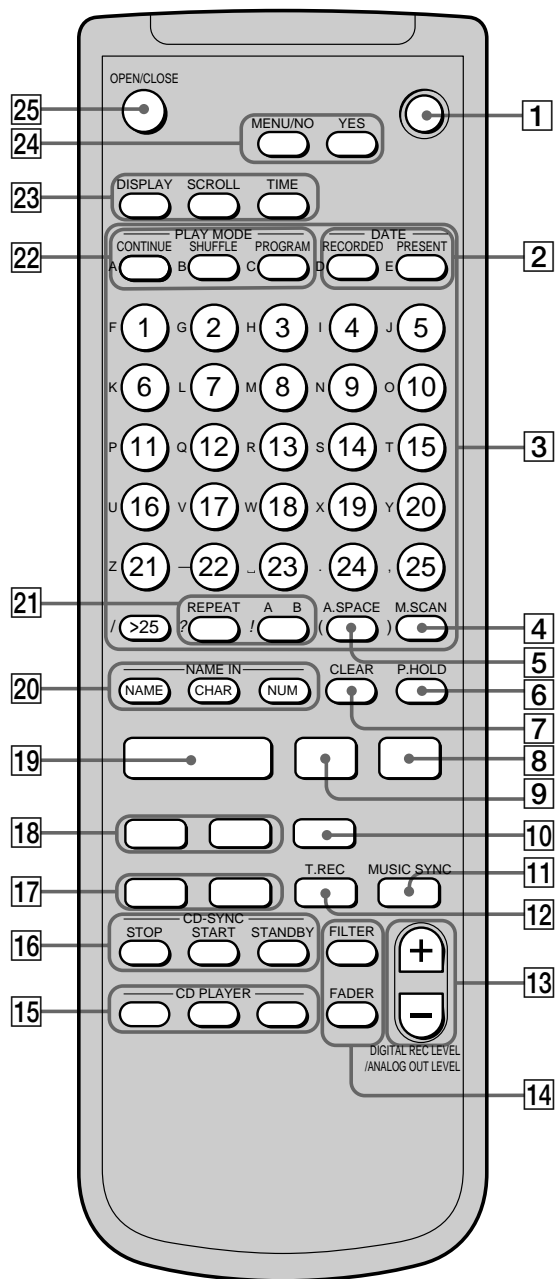
With the arrow pointing toward the deck



With the labeled side up

- 9 Display window (8)**
Shows various information.
- 10 CLEAR button (27) (35)**
Press to cancel the selection.
- 11 MENU/NO button (19) (27) (30) (39) (52)**
Press to display the Edit Menu or Setup Menu.
- 12 AMS control (12) (14) (23) (30) (39)**
Turn to locate tracks, set the clock, select the input characters, or select a menu item and a setting value.
- 13 YES button (18) (27) (30) (39)**
Press to carry out the selected operation.
- 14 DIGITAL REC LEVEL control (17)**
Turn to adjust the digital recording level.
- 15 ANALOG REC LEVEL L/R control (18)**
Turn to adjust the analog recording level.
- 20 REC MODE selector (16)**
Use to set the REC MODE to STEREO, MONO, LP2 or LP4.
- 21 INPUT selector (14)**
Use to select the input jack (or connector) of the program source to be recorded.
- 22 PHONE LEVEL control (23)**
Turn to adjust the volume of the headphones.
- 23 PHONES jack (23)**
Connect headphones to this jack.
- 24 TIMER selector (42)**
Use to set the timer for recording (REC) or playing (PLAY). Set to OFF to turn off the timer.

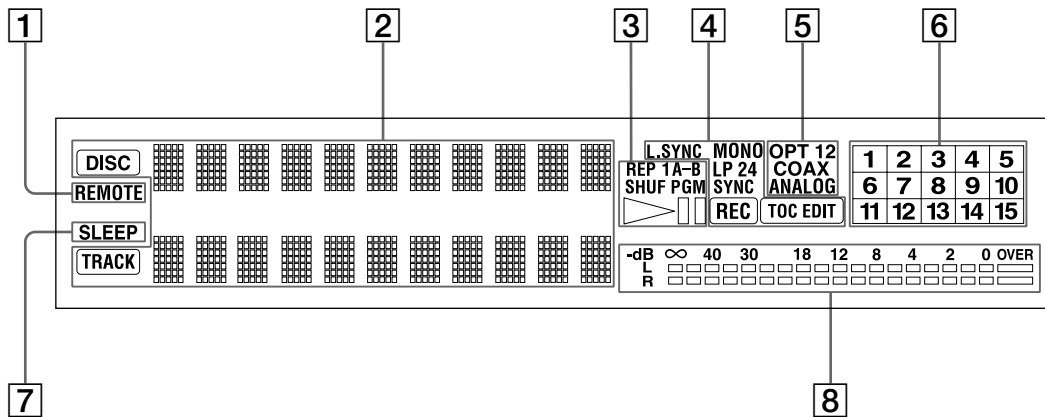
Remote control description



- 1 **I/⏻ (power) switch (14) (23)**
Press to turn on the deck. When you turn on the deck, the STANDBY indicator on the deck turns off. When you press the switch again, the deck turns off and the indicator lights up.
- 2 **DATE RECORDED button (13)**
Press to display the recording date and time.
DATE PRESENT button (13)
Press to display the current date and time.
- 3 **Letter/number buttons (24) (35)**
Press to input letters or numbers or select a track.
- 4 **M.SCAN button (24)**
Press to scan a track within a range of 6 to 20 seconds.
- 5 **A.SPACE button (29)**
Press to insert a three-second blank space between tracks or to pause play after each track.
- 6 **P.HOLD button (18)**
Press to turn on and off the Peak Hold Function.
- 7 **CLEAR button (27) (35)**
Press to cancel the selection.

- 8 **■ button (15) (23)**
Press to stop play or recording, or cancel the selected operation.
- 9 **|| button (14) (23)**
Press to pause play or recording. Press again to resume play or recording.
- 10 **■ button (14) (18) (19)**
Press to record to the MD, monitor the input signal, or mark track numbers.
- 11 **MUSIC SYNC button (21)**
Press to start Music Synchro-recording.
- 12 **T.REC button (20)**
Press to start Time Machine Recording.
- 13 **DIGITAL REC LEVEL/ANALOG OUT LEVEL +/- buttons (17) (23)**
Press to adjust the digital recording or analog output level.
- 14 **FILTER button (43)**
Press to select the type of the digital filter.
FADER button (40)
Press to perform Fade-in Play/Recording or Fade-out Play/Recording.
- 15 **CD PLAYER || button (21)**
Press to pause the CD play. Press again to resume CD play.
CD PLAYER ◀◀ / ▶▶ buttons (21)
Press to locate tracks on the CD.
- 16 **CD-SYNC STOP button (21)**
Press to stop CD Synchro-recording.
CD-SYNC START button (21)
Press to start CD Synchro-recording.
CD-SYNC STANDBY button (21)
Press to enter standby for CD Synchro-recording.
- 17 **◀◀ / ▶▶ buttons (25) (27) (30) (35)**
Press to locate a portion within a track, change the contents of a program, or shift the cursor to the right.
- 18 **◀◀ / ▶▶ buttons (14) (23) (31) (39)**
Press to locate tracks, or select a menu item and a setting value.
- 19 **▷ button (14) (23)**
Press to start play.
- 20 **NAME-IN buttons**
NAME button (35)
Press to add the name or change the name of a track or an MD.
CHAR button (35)
Press to select the type of characters to be input.
NUM button (35)
Press to input numbers.
- 21 **REPEAT button (26)**
Press to play tracks repeatedly.
A ↔ B button (26)
Press to select Repeat A-B Play.
- 22 **PLAY MODE buttons**
CONTINUE button (27)
Press to select normal play.
SHUFFLE button (27)
Press to select Shuffle Play.
PROGRAM button (27)
Press to select Program Play.
- 23 **DISPLAY button (9) (15) (17) (24) (27)**
Press to select the information to be displayed in the window.
SCROLL button (24)
Press to scroll the name of a track or an MD.
TIME button (18) (21)
Press to display the remaining time.
- 24 **MENU/NO button (19) (27) (30) (39) (52)**
Press to display the Edit Menu or Setup Menu.
YES button (18) (27) (30) (39)
Press to carry out the selected operation.
- 25 **OPEN/CLOSE ▲ button (14) (23)**
Press to insert or eject the MD.

Display window description



1 REMOTE indicator

Lights when the MD is being controlled by an external device connected to the deck.

2 Disc name and track name indicators display

Lights when the disc information (etc.) is shown.

Name display

Displays disc and track names, Edit Menu parameters, and Setup Menu parameters (etc.).

The track name appears instead of the disc name during play. When the MD or the track has no name, "No Name" appears.

TRACK indicator

Lights when the track information (etc.) is shown.

3 Playback indicators

REP indicators (26)

Light when the deck is set to Repeat Play.

- "REP" lights when the deck is set to repeat the entire disc.
- "REP 1" lights when the deck is set to repeat just one track.
- "REP A-B" lights when the deck is set to repeat a specific portion within a track.

SHUF indicator (27)

Lights when the deck is set to Shuffle Play.

PGM indicator (27)

Lights when the deck is set to Program Play.

▷||| indicator

Lights during playing or playing pause.

4 Recording and editing indicators

L.SYNC indicator (19)

Lights when the deck is set to assign track numbers automatically during analog recording.

Rec mode indicators (16)

These indicators turn off during stereo recording/playback.

- "MONO" lights when the deck is set to Monaural Recording mode or playing an MD recorded in Monaural Recording mode.
- "LP2" lights when the deck is set to LP2 Stereo Recording mode or playing an MD recorded in LP2 Stereo Recording mode.
- "LP4" lights when the deck is set to LP4 Stereo Recording mode or playing an MD recorded in LP4 Stereo Recording mode.

SYNC indicator (21)

Lights during synchro-recording.

REC indicator

Lights during recording.

TOC indicators (16) (31)

- "TOC" lights to indicate the presence of TOC data that has not been written to the disc. "TOC" flashes when the TOC data is being written.
- "TOC EDIT" lights during edit operations.

5 INPUT indicators (14)

- "OPT1" lights when the program source connected to the DIGITAL IN OPT1 connector is selected.
- "OPT2" lights when the program source connected to the DIGITAL IN OPT2 connector is selected.
- "COAX" lights when the program source connected to the DIGITAL IN COAXIAL jack is selected.
- "ANALOG" lights when the program source connected to the ANALOG IN jacks is selected.

6 Music calendar

Shows all the track numbers within a grid if the MD is a premastered disc, or without a grid if the MD is a recordable disc. If the total number of tracks exceeds 15, B appears to the right of number 15 in the music calendar.

7 SLEEP indicator (41)

Lights when the deck is set to turn off automatically after specified minutes.

8 Level meters

Display the audio signal levels during playing and recording.

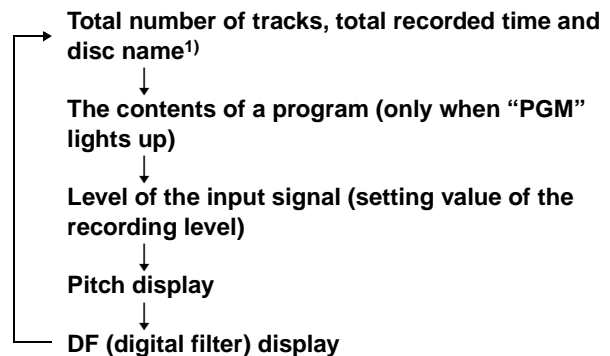
Note

The display format that you have selected in each of the deck statuses (play, recording, etc.) will appear whenever the deck enters that status and you press DISPLAY/CHAR (or DISPLAY) or TIME until you change the format to another (see the following sections for details). If you disconnect the AC power cord, however, all the displays will revert to their default (i.e., the factory set display) the next time you turn on the deck.

To change the display in stop mode

Press DISPLAY/CHAR (or DISPLAY) repeatedly to change the display.

Each press of the button changes the display as follows:

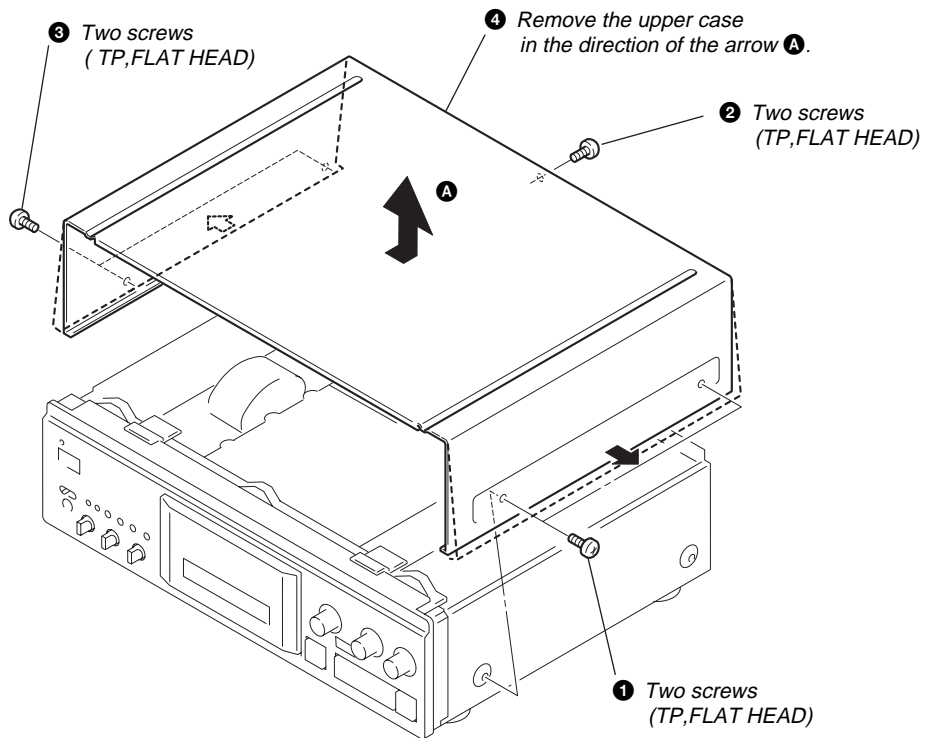


1) "No Name" appears when the disc has no name.

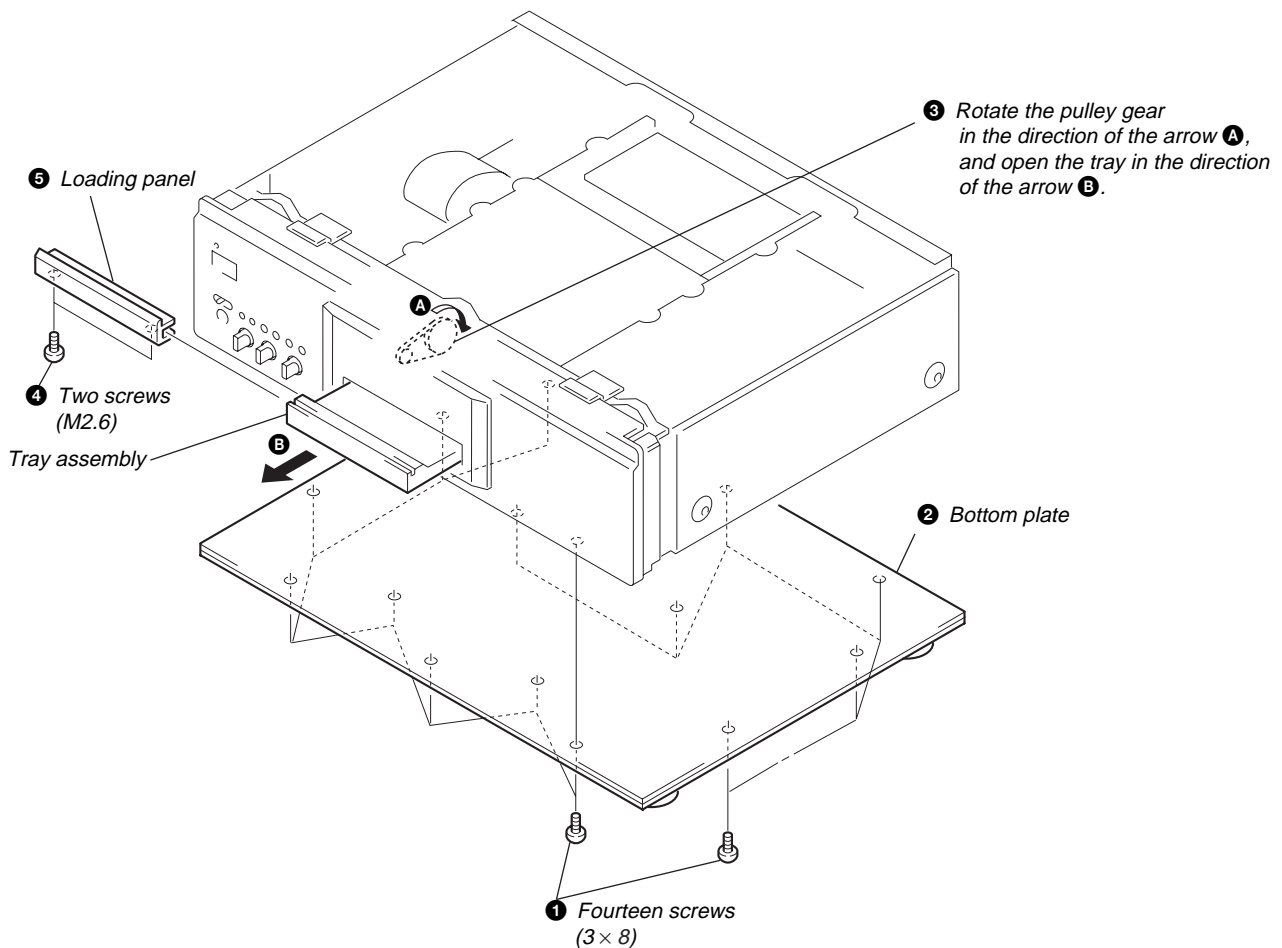
SECTION 3 DISASSEMBLY

Note : Follow the disassembly procedure in the numerical order given.

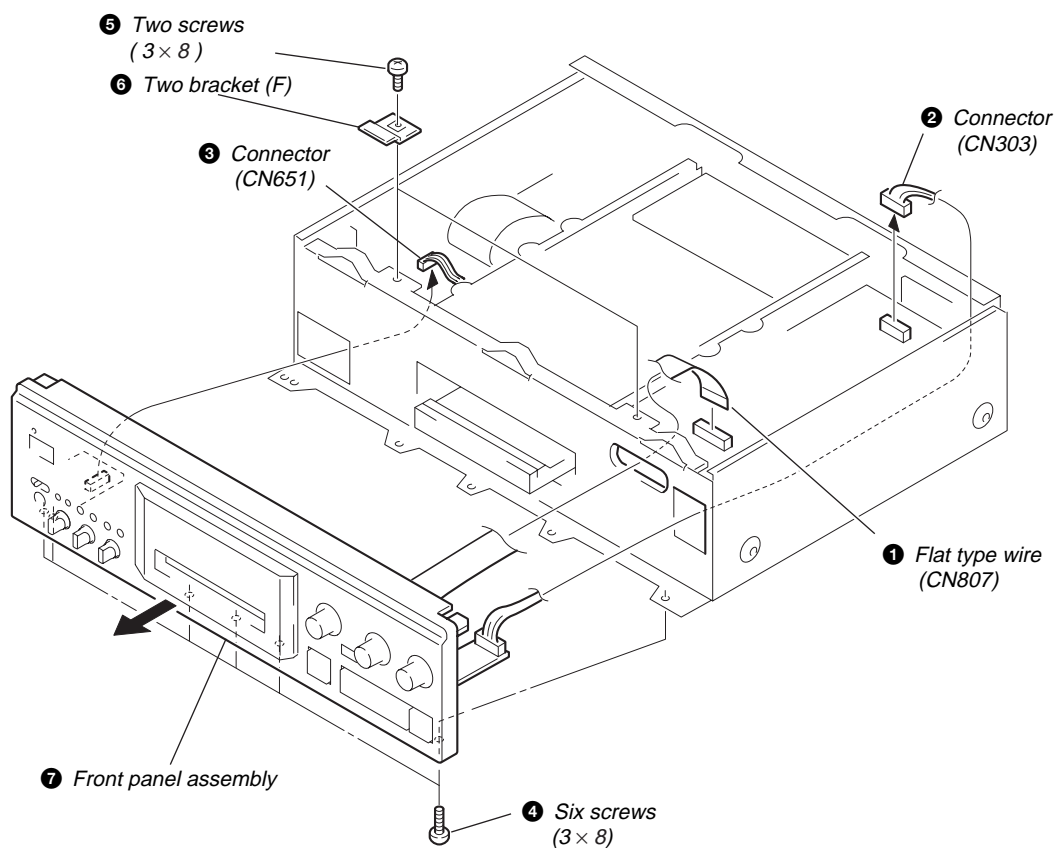
3-1. CASE



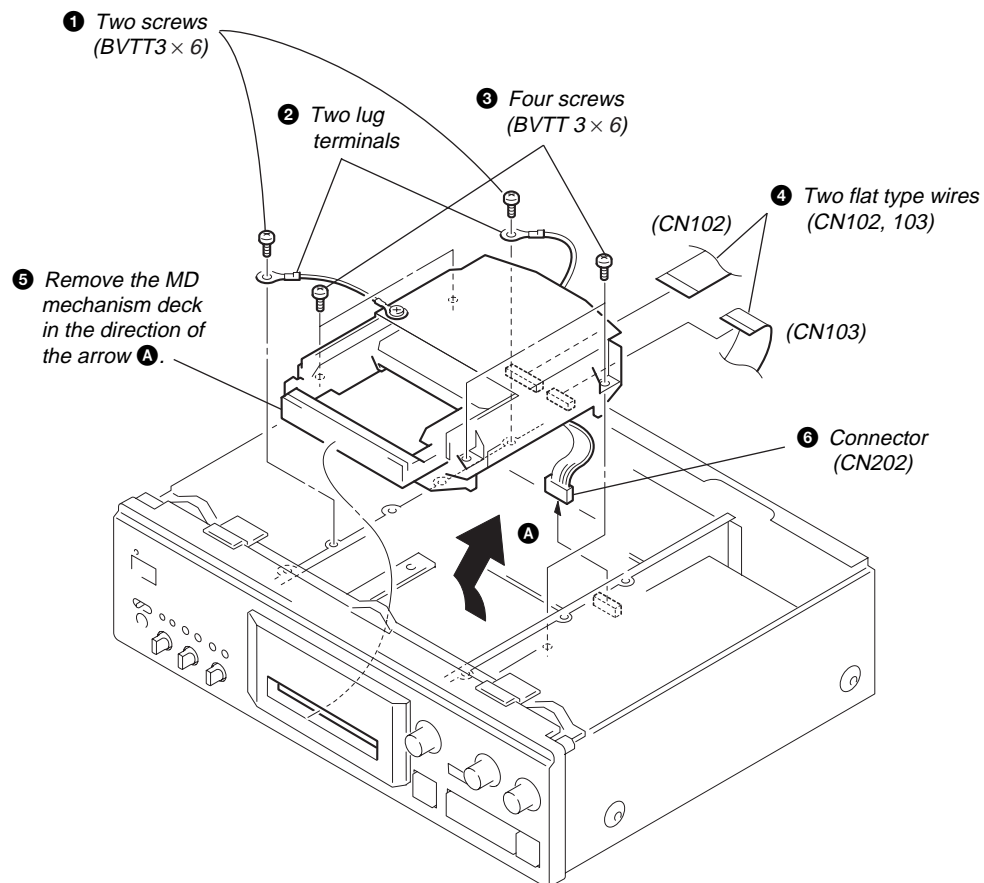
3-2. LOADING PANEL



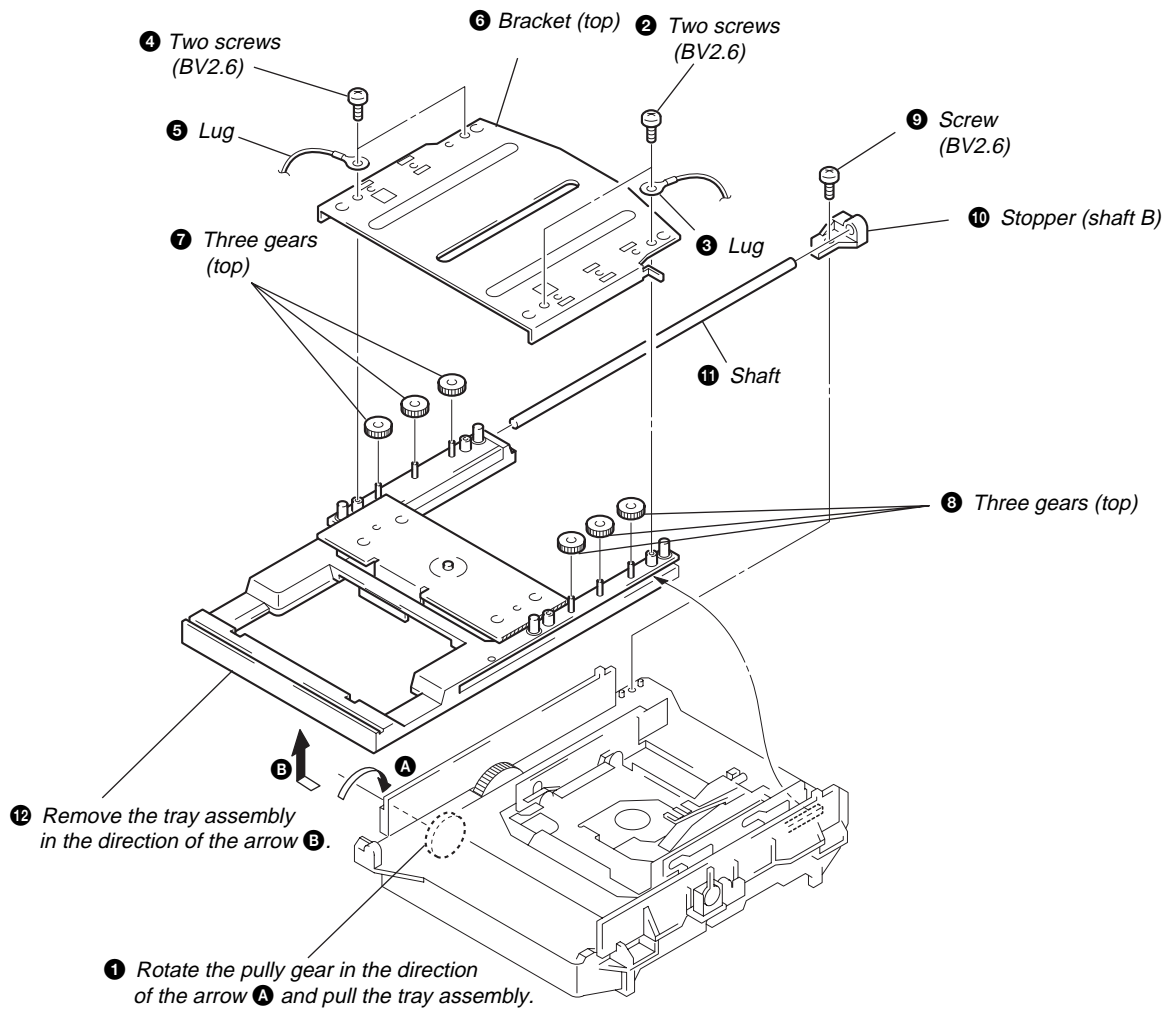
3-3. FRONT PANEL ASSEMBLY



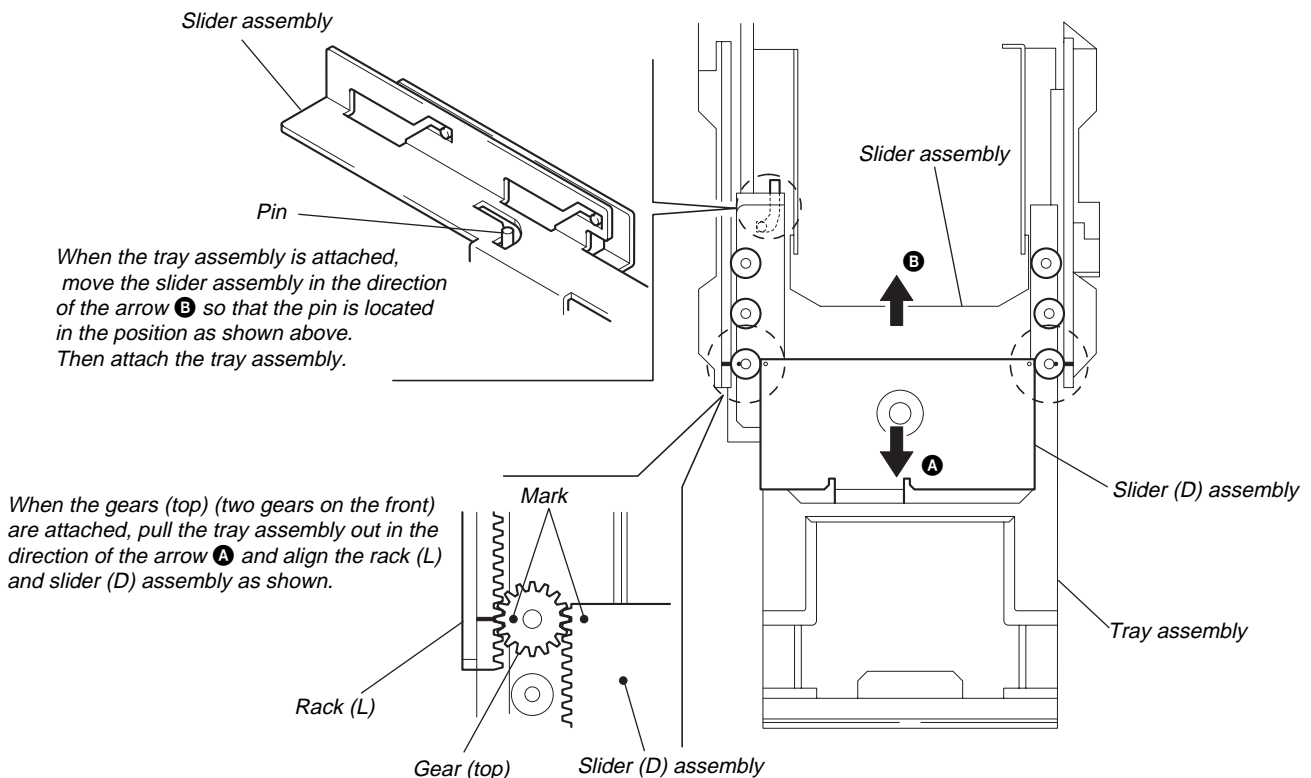
3-4. MD MECHANISM DECK



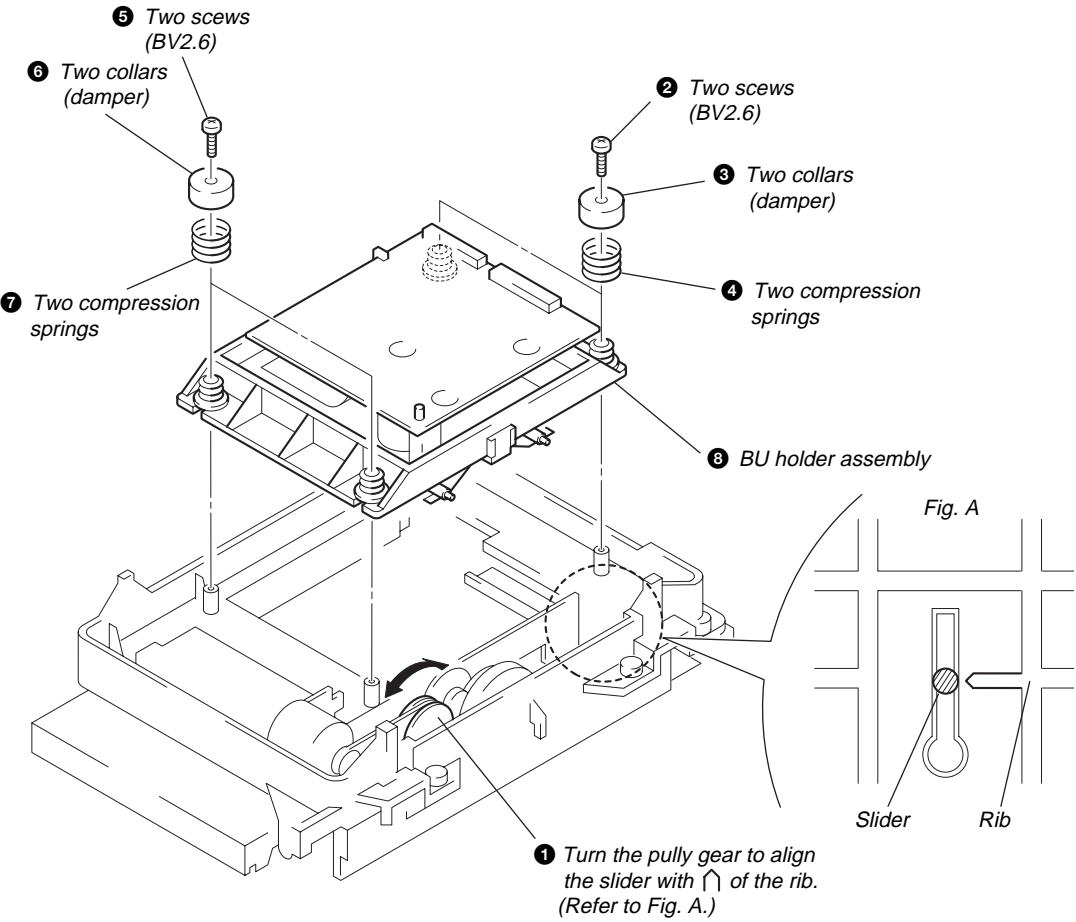
3-5. TRAY ASSEMBLY



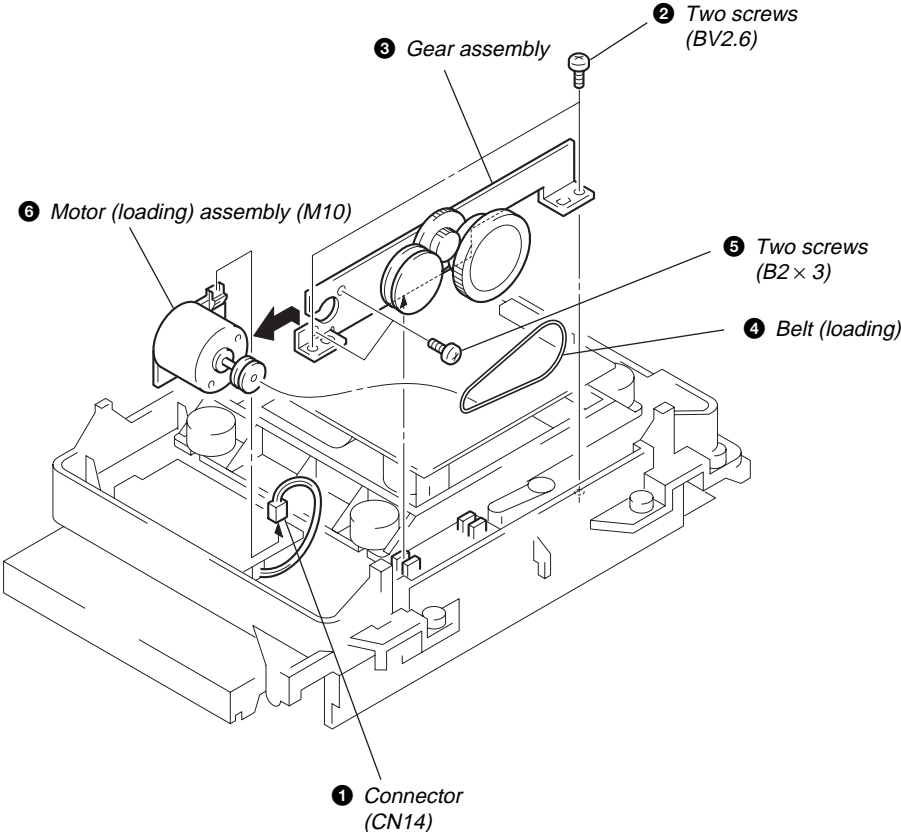
NOTE FOR INSTALLATION



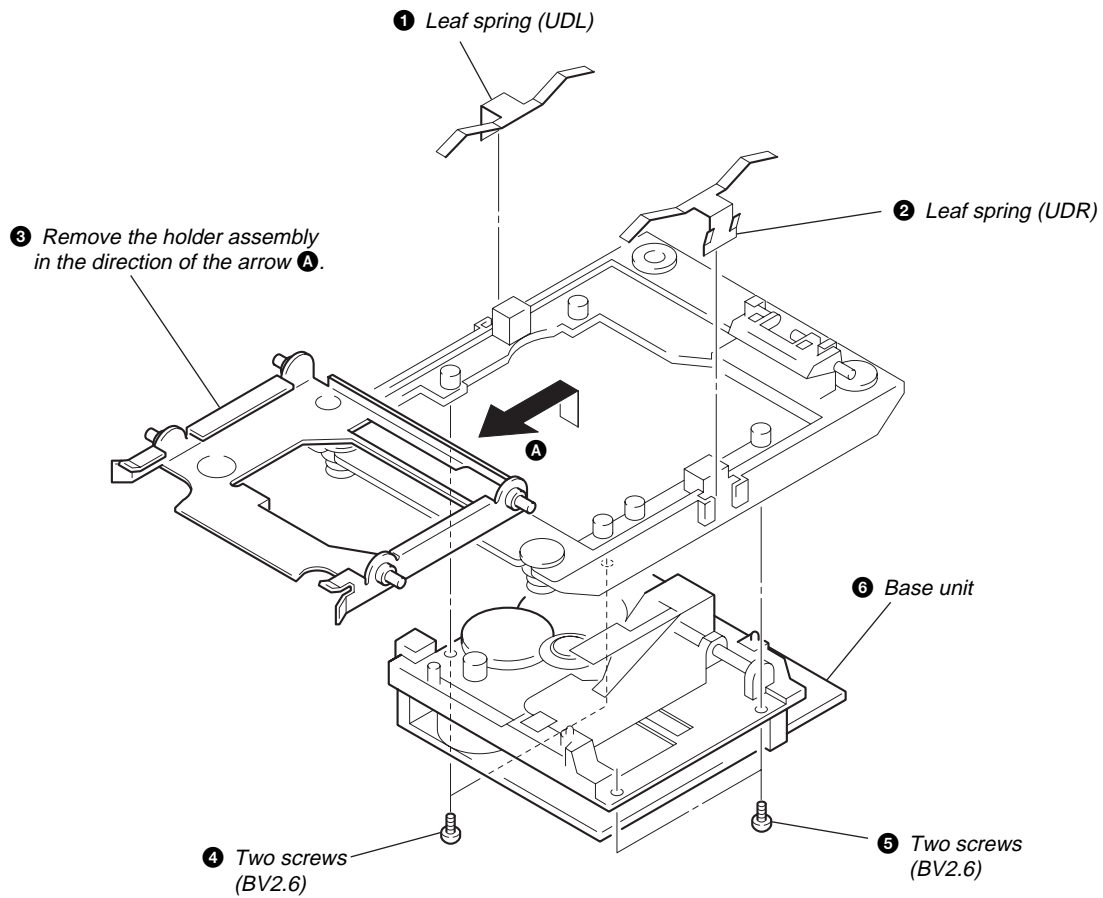
3-6. BU HOLDER ASSEMBLY



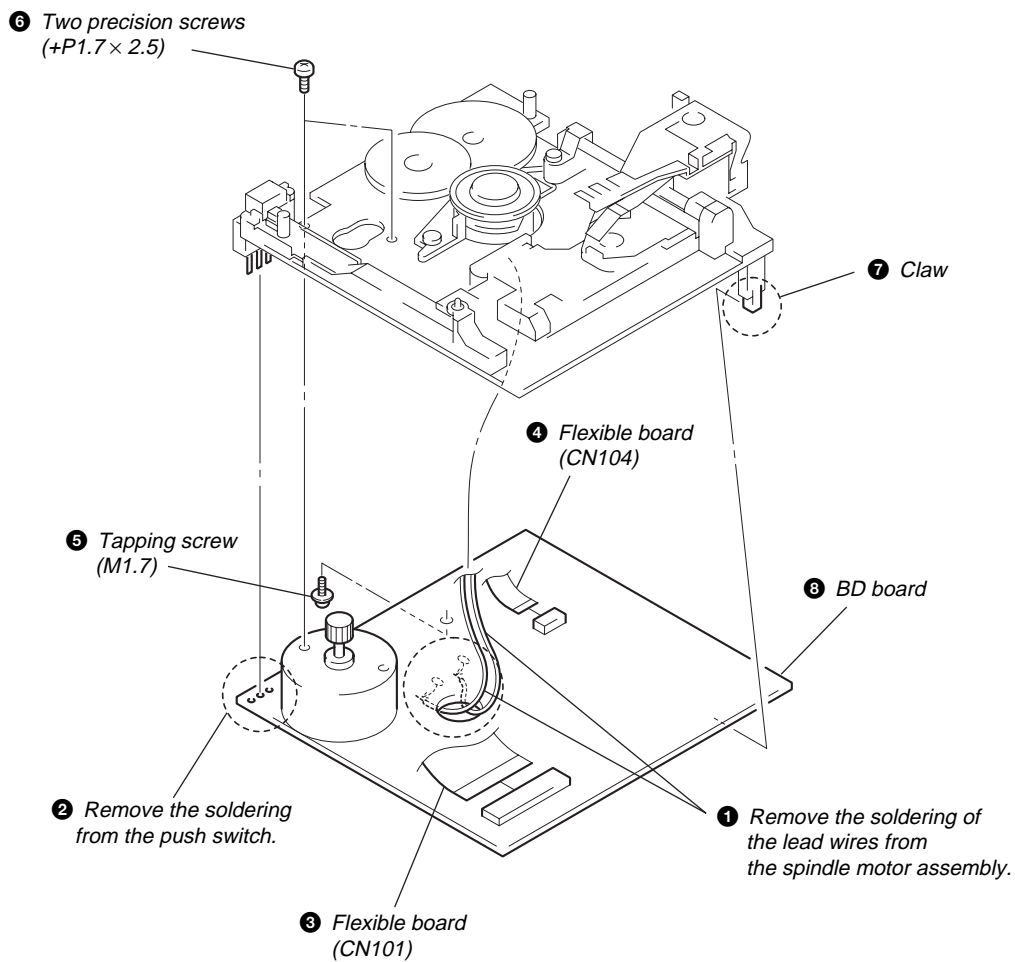
3-7. MOTOR (LOADING) ASSEMBLY (M10)



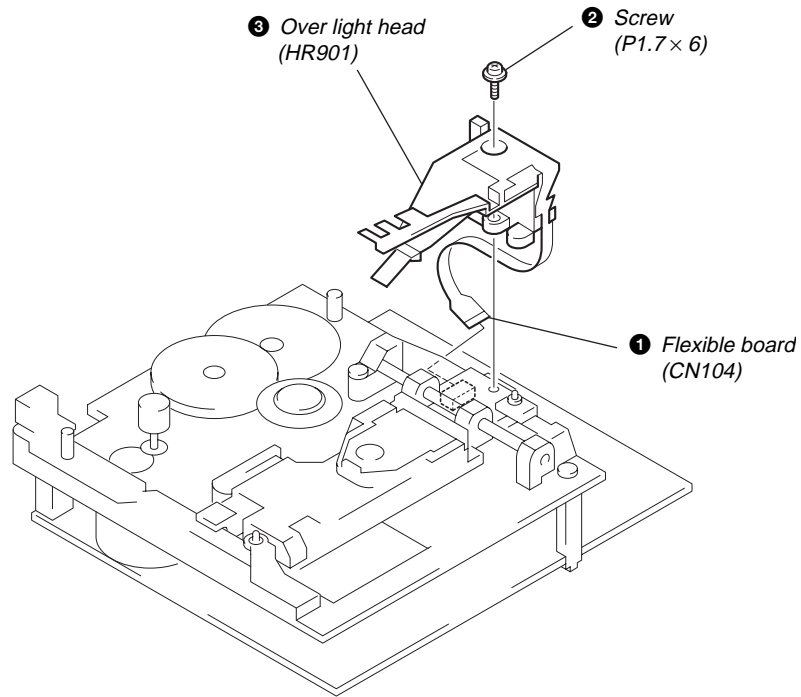
3-8. BASE UNIT (MBU-5J)



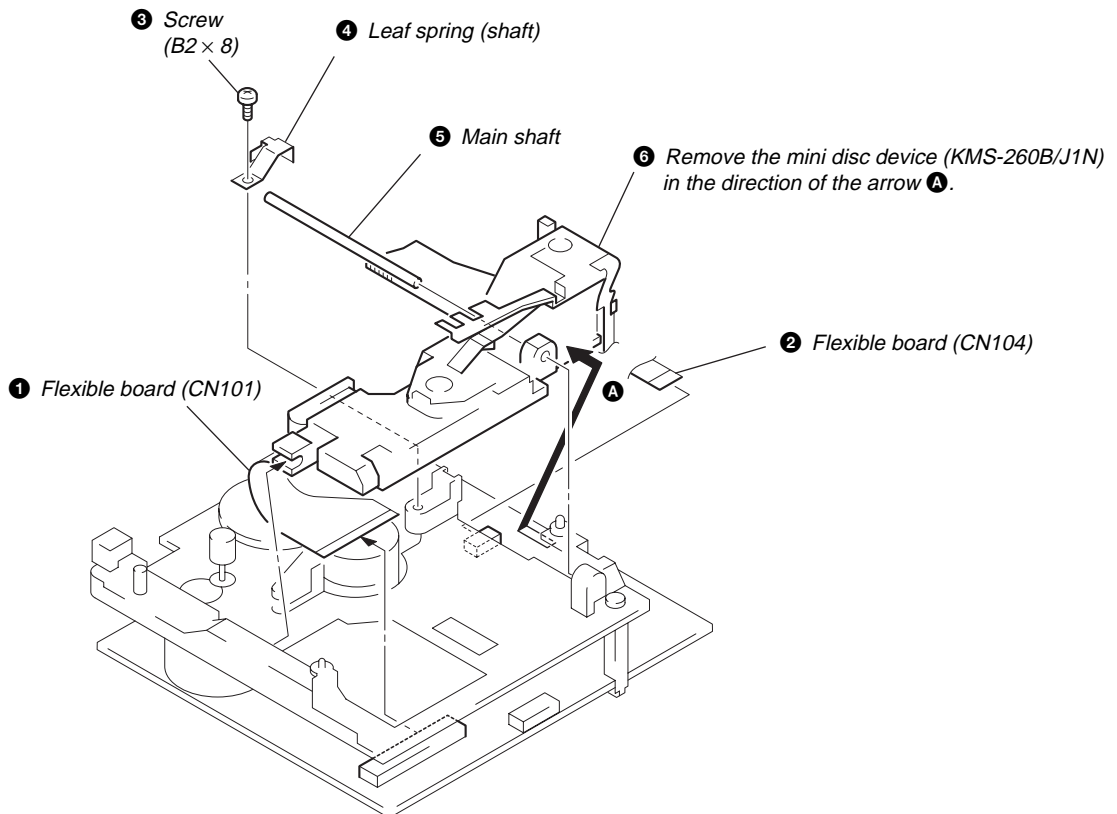
3-9. BD BOARD



3-10. OVER LIGHT HEAD (HR901)






3-11. MINI DISC DEVICE (KMS-260B/J1N)




SECTION 4 TEST MODE

4-1. Precaution on Using the Test Mode





- Be sure to insert and eject a disc after confirming that the disc in the MDS-JA333ES has come to complete stop because the loading related movements of the mechanism are performed without any relationship with the test mode.
Disc does not stop rotating even through the  button is pressed while disc is rotating in the modes such as continuous playback and continuous recording. Therefore, the disc is ejected while it is rotating.
Be sure to press the  button, then press the  button after a disc has completely stopped of its rotation.


4-1-1. Modes in Which Recording Laser Emits the Light and the Button Operations

- Continuous recording mode (CREC 1MODE)
- Laser power check mode (LDPWR CHECK)
- Laser power adjustment mode (LDPWR ADJUS)
- IOP check (IOP compare) (Not used with the MDM-6J and MBU-5J)
- IOP value non-volatile writing (IOP NV Save) (Not used with the MDM-6J and MBU-5J)
- Traverse (MO) check (EF MO CHECK)
- Traverse (MO) check (EF MO ADJUS)
- When the  button is pressed



4-2. How to Enter the Test Mode

There are two methods to enter the test mode as follows.

Method 1: Connect the power plug to the outlet while pressing the  knob and  button at the same time, and remove the  knob and  button at the same time.

When the unit enters the test mode, “[Check]” appears. The three groups can be switched,↔ [Check] ↔ [Service] ↔ [Develop] ↔....., by rotating the  knob.

The Develop group is not used for service. If you enter the group mistakenly, immediately press the  button and exit the mode.

Method 2: Connect the power plug to the outlet while pressing the  knob, and remove the  knob.

When the unit enters the test mode, “TEMP CHECK” (C12) appears. When the test mode is entered using this method, the contents of check group at method 1 can be performed.





4-3. Exiting the Test Mode

Press the  button. The MDS-JA333ES enters the standby status and exits the test mode.

4-4. Basic Operation of the Test Mode

All operations are performed using the  knob,  button, and  button.

The functions of these button are as follows.

Function name	Function
 button	Chancels or moves to the upper hierarchy
 button	Decision
 knob (right/left)	Selection
 knob (pushed)	Decides the sub-menu

4-5. Selecting the Test Mode

There are 26 types of the test mode. The group can be switched by rotating the $\llcorner\llcorner\text{AMS}\ggg\ggg$ knob. All the adjustments and checks for service can be performed in the test mode of the service group.

There is the Develop group, but it is not used for service. If you enter the group mistakenly, immediately press the MENU/NO button and exit the group.

Display	No.	Contents	Mark	Group	
				Chck	Service
AUTO CHECK	C01	Automatic self-diagnosis			○
Err Display	C02	Error history display, clear			○
TEMP ADJUS	C03	Temperature compensation offset adjustment			○
LDPWR ADJUS	C04	Laser power adjustment			○
Iop Write	C05	IP data writing			○
Iop NV Save	C06	Reads the current IOP value with microprocessor and writes it to non-volatile data			○
EF MO ADJUS	C07	Traverse (MO) adjustment			○
EF CD ADJUS	C08	Traverse (CD) adjustment			○
FBIAS ADJUS	C09	Focus bias check			○
AG Set (MO)	C10	Focus /tracking gain adjustment (MO)			○
AG Set (CD)	C11	Focus /tracking gain adjustment (CD)			○
TEMP CHECK	C12	Temperature compensation offset check		○	○
LDPWR CHECK	C13	Laser power check		○	○
EF MO CHECK	C14	Traverse (MO) check		○	○
EF CD CHECK	C15	Traverse (CD) check		○	○
FBIAS CHECK	C16	Focus bias adjustment		○	○
Scurve CHECK	C17	S curve check	×	○	
VERIFYMODE	C18	Non-volatile memory check	×	○	
DETRK CHECK	C19	Detract check	×	○	
0920 CHECK	C25	Outermost circumference check	×	○	
Iop Read	C26	IOP data display		○	○
Iop Compare	C27	Comparison to the initial IOP value written in non-volatile data		○	○
ADJ CLEAR	C28	Initialization of non-volatile memory of adjustment value			○
INFOMATION	C31	Display of microprocessor version, etc.		○	○
CPLAY1MODE	C34	Continuous playback mode		○	○
CREC 1MODE	C35	Continuous recording mode		○	○


- For detailed description of each adjustment mode, refer to Section 5 “Electrical Adjustments”. For “Err Display” (C02), refer to the self-diagnosis function of page 4.
- If a different adjustment mode has been selected by mistake, press the MENU/NO button to exit from it.
- The items marked × in the mark are not used in servicing, therefore they are not detailed. If select these modes accidentally, press the MENU/NO button immediately to exit from it. Be careful especially when using the test mode of the Develop group. The machine may not run correctly.
- AUTO CHECK, Iop NV Save and Iop Compare cannot be used with the MDM-6J and MBU-5J.


4-5-1. Operating the Continuous Playback Mode

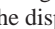
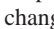
1. Entering the continuous playback mode

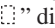
1) Load the disc into the unit. (recordable disc or disc for playback)

The disc is loaded by pushing the tray.

2) Rotate the  knob to display "CPLAY1MODE" (C34).

3) Press the  button to change the display to "CPLAY1MID".

4) When access completes, the display changes the display to "C =  AD = .

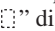
Note : The value of the "" displayed on the screen indicates error rate and "ADER".

2. Changing the parts to be played back

1) Press the  button during continuous playback to change the display as shown and move the played back part.



2) When access completes, the display changes to "C =  AD = .

Note : The value of the "" displayed on the screen indicates error rate and "ADER".

3. Ending the continuous playback mode

1) Press the  button to change the display to "CPLAY1MODE" (C34).

2) Press the  button to eject the disc.

Note : The playback start addresses for IN, MID, and OUT are as follows.

IN : 40h cluster

MID : 300h cluster

OUT : 700h cluster

4-5-2. Operating the Continuous Recording Mode (Use this mode for self record/playback check only)

1. Entering the continuous recording mode
 - 1) Load the recordable disc to the unit.
The disc is loaded by pushing the tray.
 - 2) Rotate the [◀◀AMS▶▶] knob to display "CREC 1MODE" (C35).
 - 3) Press the [YES] button to change the display to "CREC1MID".
 - 4) When access completes, the display changes the display to "CREC1(□□□□)" and [REC] illuminates.

Note : The value of the "□□□□" displayed on the screen indicates the address of the recorded position.

2. Changing the parts to be recorded

- 1) Press the [YES] button during continuous playback to change the display as shown and move the played back part. [REC] disappears during moving.



- 2) When access completes, the display changes to "CREC1(□□□□)" and [REC] disappears.

Note : The value of the "□□□□" displayed on the screen indicates the address of the recorded position.

3. Ending the continuous recording mode

- 1) Press the [MENU/NO] button. The display changes to "CREC 1MODE" (C35) and [REC] disappears.
- 2) To eject the disc, press the [EJECT] button.

Note 1: The playback start addresses for IN, MID, and OUT are as follows.

- N : 40h cluster
- MID : 300h cluster
- OUT : 700h cluster

Note 2: The [MENU/NO] button can be used to stop recording anytime.

Note 3: Do not perform continuous recording for long periods of time above 5 minutes.

Note 4: During continuous recording, be careful not to apply vibration.

4-5-3. No-Volatile Memory Mode (EEP MODE)

This mode reads and writes the contents of the non-volatile memory.

It is not used in servicing. If selecting this mode accidentally, press the [MENU/NO] button immediately to exit it.

4-6. Functions of Other Buttons

Function name	Main contents
▶	Sets continuous playback when pressed in the STOP state. When pressed during continuous playback, the tracking servo turns ON/OFF.
■	Stops continuous playback and continuous recording
▶▶	The sled moves to the outer circumference only when this is pressed
◀◀	The sled moves to the inner circumstance only when this is pressed
REC MODE (other models/SF EDIT/SCROLL)	Switches between the pit and groove modes when pressed
PLAY MODE	Switches the spindle servo mode (CLV S ↔ CLV A)
DISPLAY/CHAR	Switches the display when pressed
⏏/OPEN/CLOSE	Removes the disc
REPEAT/POWER	Exits test mode

4-7. Test Mode Displays

The **DISPLAY** key is used to switch display modes. The display modes are switched in the following order each time the **DISPLAY** key is pressed.

Order	Description	Example of display
1	MODE display	CPLAY1 (0000
2	Error rate display	C=0000AD=00
3	Address display	h0000 s0000
4	Auto gain display	AG=00/0000
5	Detrack display	ADR=00#0000
6	IVR display	[00] [00] [00]
7	Displays C1 error and JITTER	J0000 C0000
8	Displays AD error and JITTER	J0000 AD=00

When CPLAY or CREC starts, the display is forced to switch to 2 as initial mode.

Supplementary explanation of each display

1. MODE display
“TEMP ADJUS” (C03), “CPLAY1MODE” (C34), etc. are displayed.
2. Error rate display
Error rates are displayed as follows.
C=0000AD=00
C= means the C1 error and AD= means ADER.
3. Address display
Addresses are displayed as follows.
h=0000 s=0000 (pit block of recordable disc and disc for playback only)
h=0000 a=0000 (groove of recordable disc)
h= means the header address, s= means the SUBQ address and a= means the ADIP address.

* When the address cannot be read, “-” is displayed.

Displays other than the above ones are not used for service.

4-8. Meaning of Other Displays

Display	Contents	
	MODE display	Off
	Servo ON	Servo OFF
	Tracking servo OFF	Tracking servo ON
	Recording mode OFF	Recording mode OFF
SYNC (other models/TOC EDIT)	CLV low speed mode	CLV normal mode
L. SYNC (other models/A.SPACE)	ABCD adjustment completed	
OVER	Tracking offset cancel ON	Tracking offset cancel OFF
B/1 (REP portion)	Tracking auto gain OK	
A-/REP	Focus auto gain OK	
TRACK/(LP)4/calender frame	Pit	Groove
DISC/LP2	High reflection	Low reflection
SLEEP/SHUF	CLV-S	CLV-A
MONO	CLV LOCK	CLV UNLOCK
PROGRAM	EF BAL change	

4-9. Information

Displays the version of software.

[Operation procedure]

1. Press the **YES** button while “INFORMATION” is displayed.
2. The version of the software will be displayed.
3. End this mode with the **MENU/NO** button.

4-10. Countermeasure when MEMORY NG Appears

If there is an abnormality in non-volatile memory data, “E001” / “MEMORY NG” appears so that the MO deck is not operated. If this happens, immediately enter the test mode and do the following.

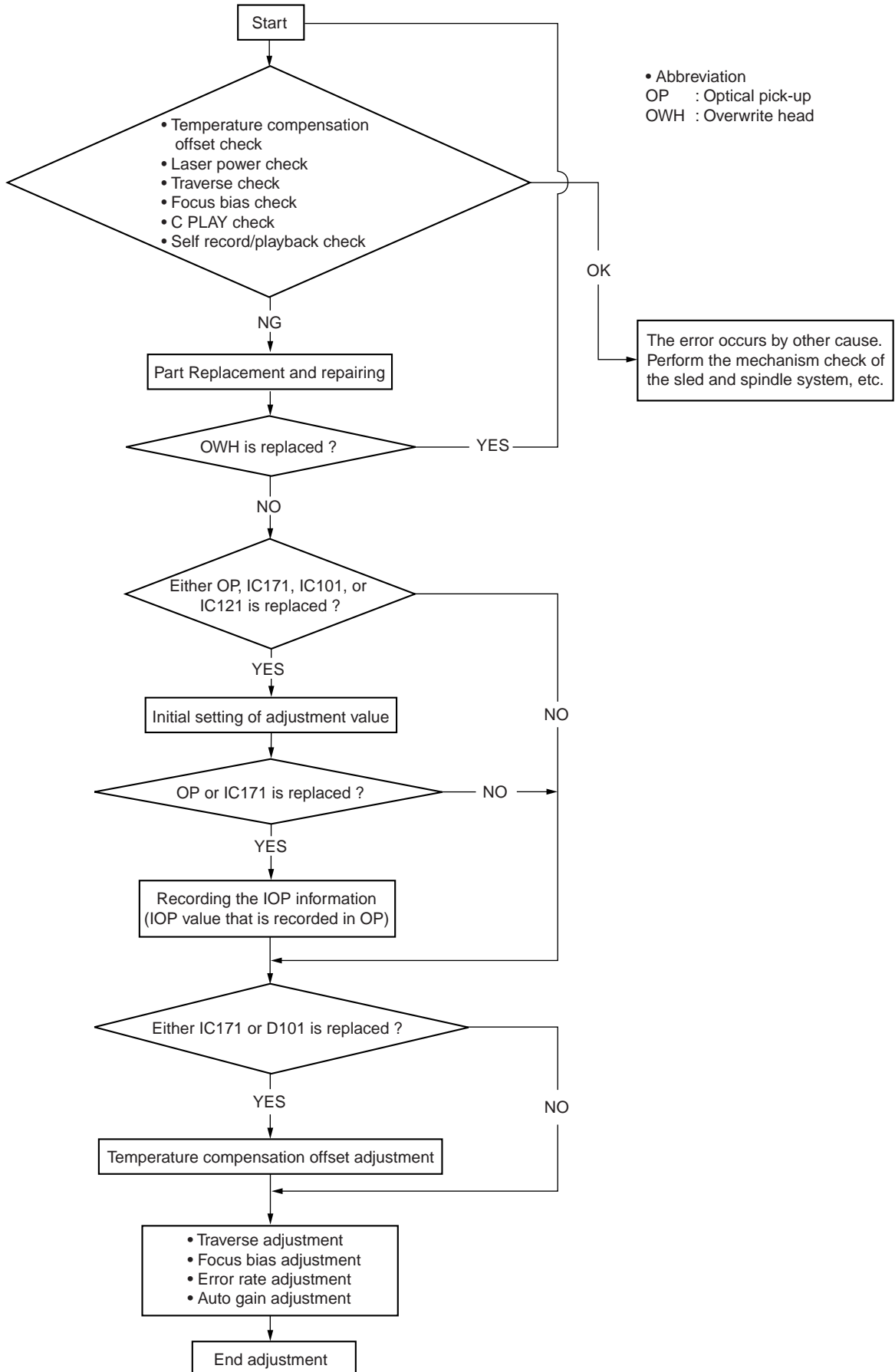
[Operation procedure]

1. Enter the test mode. (Refer to Section 4-2.)
2. The display for selecting the test mode normally appears. However, if there is an abnormality in non-volatile memory data, the following characters appears: “INIT EEP?”
3. Press the button and button at the same time.
4. Rotate the knob to select “MBU-5J”.
5. Press the knob. If the non-volatile memory data succeeds in being rewriting, the mode returns to the normal test mode and the display for selecting modes appears.

SECTION 5 ELECTRICAL ADJUSTMENTS

5-1. On Part Replacement and Adjustment

- Perform the checks and adjustments of the MDM and MBU blocks following the procedure below .
The procedure is changed depending on the replaced part.



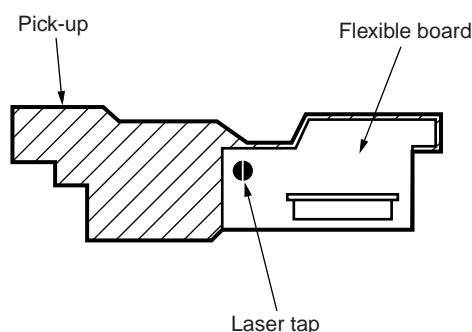
5-2. Precautions for Checking Laser Diode Emission

To check the emission of the laser diode during adjustments, never view directly from the top as this may lose your eye-sight.

5-3. Precautions for Use of Optical Pick-up (KMS-260B)

As the laser diode in the optical pick-up is easily damaged by static electricity, solder the laser tap on the flexible board of the optical pick-up when using it.

Before disconnecting the connector, disorder the laser tap. Be careful not to remove the solder before connecting the connector. Also take adequate measures to prevent damage by static electricity. Handle the flexible board with care as it breaks easily.



Optical pick-up flexible board

5-4. Precautions for Adjustments

1) When replacing the following parts, perform the adjustments and checks with !! in the order shown in the following table.

	Optical pick-up	BD board			
		IC171	D101	IC101, IC121	IC192
1. Initial setting of adjustment value	○	○	×	○	×
2. Recording IOP information (the value that is written in pick-up)	○	○	×	×	×
3. Temperature compensation offset adjustment	×	○	○	×	×
4. Laser power adjustment	○	○	×	○	○
5. Traverse adjustment	○	○	×	○	×
6. Focus bias adjustment	○	○	×	○	×
7. Error rate adjustment	○	○	×	○	×
8. Auto gain output level adjustment	○	○	×	○	×

- 2) Set the test mode when performing the adjustments. After completing the adjustments, exit the test mode. Perform the adjustments and checks in "Group S" of the test mode.
- 3) Perform the necessary adjustments only in the order given.
- 4) Use the following tools and measuring devices.
 - Check disc (MD) TDYS-1 (Parts No.: 4-963-646-01)
 - Test disc (MDW-74/GA-1) (Parts No.: 4-229-747-01)
 - Laser power meter LPM-8001 (Parts No.: J-2501-046-A)
 Or
 - MD laser power meter 8010S (Parts No.: J-2501-145-A) (Note)
 - Oscilloscope (Measure after perform the CAL of the probe.)
 - Digital voltmeter
 - Thermometer
 - Tool for checking waveform of BD board (Parts No.: J-2501-149-A)
- 5) When observing several signals on the oscilloscope, etc., make sure that VC and ground do not connect inside the oscilloscope. (VC and ground will become short-circuited.)
- 6) When checking the waveform, the check can be performed without soldering by using the tool for checking waveform of BD board. (Refer to the Service note (page 7).)
- 7) Use the tool disc that is free from finger print and dust as they can affect result of adjustment.

Note: Laser power meter

When the laser power check and adjustment of the electrical adjustment are performed, using the new MD laser power meter 8010S (J-2501-145-A) instead of the former laser power meter is recommended.

The procedure of installing the laser meter sensor to the objective lens of pick-up is greatly simplified.

5-5. Creating Continuous Recorded Disc

- This disc is used in focus bias adjustment and error rate check. The following describes how to create a continuous recording disc.

- Load a disc (blank disc) commercially available. the disc is loaded by pushing the tray.
- Rotate the **[◀◀AMS▶▶]** knob and display "CREC 1MODE" (C35).
- Press the **[YES]** button to display "CMEC 1MID". "CREC1 (0300)" is displayed for a moment and recording starts.
- Complete recording within 5 minutes.
- Press the **[MENU/NO]** button to stop recording.
- Press the **[EJECT]** button to eject the disc.

The above has been how to create a continuous recording data for the focus bias adjustment and error rate check.

Note:

- Be careful not to apply vibration during continuous recording.

5-6. Check before Repairing

This check aims at locating the approximate position of cause of trouble before starting to replace parts using specifications.

For detailed information, refer to [Checks before Part Replacement and Adjustment] of Service note.

5-6-1. Temperature Compensation Offset Check

Before adjustment, set the internal temperature and the ambient temperature are between 22 and 28 °C.

Checking procedure:

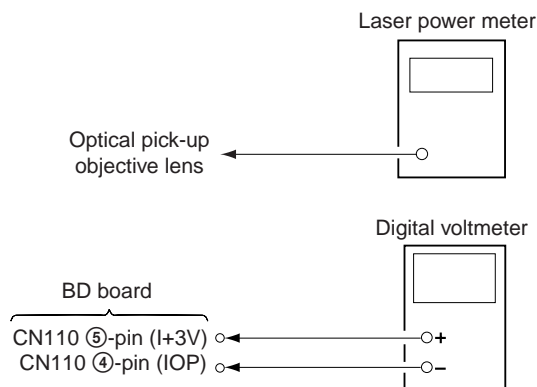
- Rotate the **[◀◀AMS▶▶]** knob to display "TEMP CHECK" (C12).
- Press the **[YES]** button.
- It is OK when "T=@@(#) [OK]" appears. It is NG when "T=@@(#) [NG]" appears. (@@ is the current value. ## is the value that is written in the non-volatile memory.)

5-6-2. Laser Power Check

Before check:

- Refer to Section 1 "Service note" How to open the disc tray when power switch is turned off, and laser power check.
- Check the IOP value of optical pick-up. (Refer to Section 5-8 "Recording and displaying the IOP information".)

Connection:



Checking procedure:

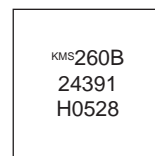
- Insert the laser power meter from the disc inlet and set it on the objective lens of the optical pick-up. (When it cannot be set properly, press the **[◀◀]** button and **[▶▶]** button to move the optical pick-up.)
Connect the digital voltmeter to CN110 ⑤-pin (I+3V) and the CN110 ④-pin (IOP).
- Rotate the **[◀◀AMS▶▶]** knob to display "LDPWR CHECK" (C13).
- Press the **[YES]** button once to display "LD 0.9mW \$[] []". Confirm that the reading of the laser power meter is 0.84 to 0.92 mW.
- Press the **[YES]** button once again to display "LD 7.0mW \$[] []". Confirm that the readings of the laser power meter and digital bolt meter satisfy the specified value.
- Then press the **[YES]** button once again to display "LD 6.2mW \$[] []".

Specification:

Laser power meter reading: 7.0 ± 0.2 mW

Digital bolt meter reading: Optical pick-up displayed value ± 10 %

(Optical pick-up label)



(For the checking procedure of this value, refer to Section 5-8 "Recording and displaying the IOP information".)

IOP = 52.8 mA in this case

$IOP (mA) = \text{digital bolt meter reading (mV)} / 1 (W)$

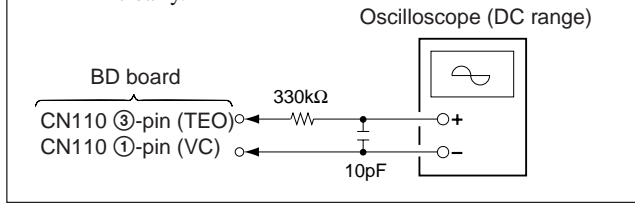
- Press the **[MENU/NO]** button to display "LDPWR CHECK" (C13) and stop laser emission. (The **[MENU/NO]** button is effective at all times to stop the laser emission.)

Note 1 : After step 4, the display of "LD 0.7mW\$[] []" "LD 6.2mW\$[] []", "LD Wpホセイ \$[] []" is switched every time when pressing the **[YES]** button. Operation is not necessary for these displays.

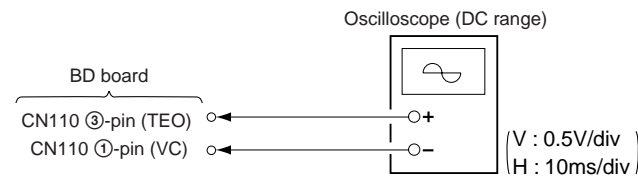
5-6-3. Traverse Check

Note 1 : If the recorded disc is used for this adjustment, the data is deleted.

Note 2 : If the traverse waveform is not clear, connect the oscilloscope as shown below so that it can be seen more clearly.

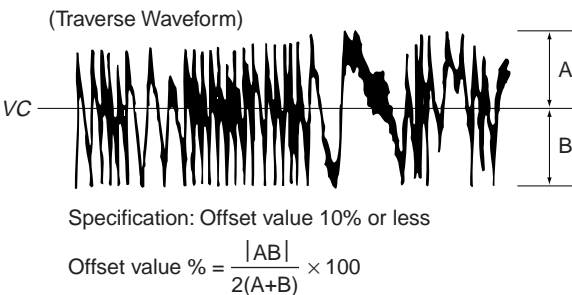


Connection:



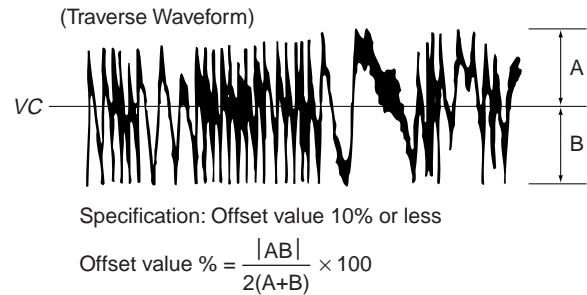
Checking procedure:

1. Connect the oscilloscope to the CN110 ③-pin (TEO) and the CN110 ①-pin (VC) of the BD board.
2. Load a recordable disc (any available on the market). (Refer to Note 1.)
The disc is loaded by pushing the tray.
3. Press the button to move the optical pick-up outside the pit.
4. Rotate the knob to display “EF MO CHECK” (C14).
5. Press the button to display “EFB = MO-R”. (Laser power READ power, focus servo ON, tracking servo OFF, and spindle (S) servo ON are set)
6. Observe the waveform of the oscilloscope and confirm it is within the specified value. Do not rotate the knob at that time.
(Read power traverse check)

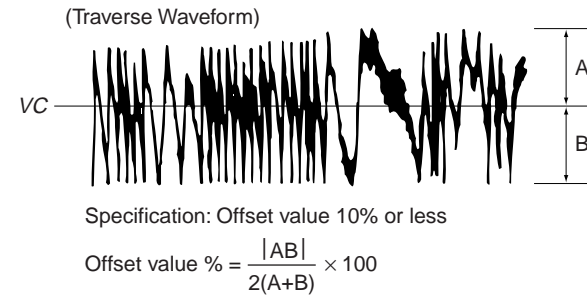


7. Press the button to display “EFB = MO-W”.

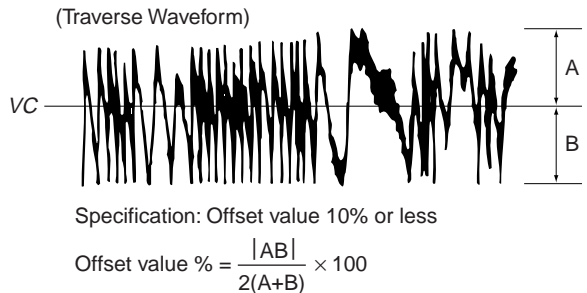
8. Observe the waveform of the oscilloscope and confirm it that is within the specified value. Do not rotate the knob at this time.
(Write power traverse check)



9. Press the button to display “EFB = MO-P”. The optical pick-up moves to the internal circumference of the pit area automatically and servo is imposed.
10. Observe the waveform of the oscilloscope and confirm that it is within the specified value. Do not rotate the knob at this time.



11. Press the button to display “EF MO CHECK” (C14).
The disc stops rotating automatically.
12. Press the button to eject the disc.
13. Load the check disc (MD) TDYS-1.
14. Rotate the knob to display “EF CD CHECK” (C15).
15. Press the button to display “EFB = CD”. The servo is imposed automatically.
16. Observe the waveform of the oscilloscope and confirm that it is within the specified value. Do not rotate the knob at this time.



17. Press the button to display “EF CD CHECK” (C15).
18. Press the button to eject the check disc (MD) TDYS-1.

5-6-4. Focus Bias Check

Change the focus bias to check the focus tolerance amount.

Checking procedure:

1. Load the test disc (MDW-74/GA-1).
The disc is loaded by pushing the tray.
2. Rotate the knob to display "CPLAY1MODE" (C34).
3. Press the button to display "CPLAY1MID".
4. After "C = AD = button.
5. Rotate the knob to display "FBIAS CHECK" (C16).
6. Press the button to display "/ c = The first four digits indicate the C1 error rate, the two digits after "/" indicate ADER, and the two digits after "c = " indicate the focus bias amount.
Confirm that the C1 error is below 220 and the ADER is below 2.
7. Press the button to change the display to "/ b = Confirm that the C1 error is below 220 and the ADER is below 2.
8. Press the button to change the display to "/ a = Confirm that the C1 error is below 220 and the ADER is below 2.
9. Press the button and press the button to eject the test disc.

5-6-5. C PLAY Check

MO Error rate check

Checking procedure:

1. Load a test disc (MDW-74/GA-1).
The disc is loaded by pushing the tray.
2. Rotate the knob to display "CPLAY1MODE" (C34).
3. Press the button to display "CPLAY1MID".
4. The display is changed to "C = AD = - 5. Confirm that the C1 error rate is below 80 and the ADER is below 2.
- 6. Press the button to stop playing back. Press the button to eject the test disc.

CD Error rate check

Checking procedure:

1. Load a check disc (TDYS-1).
The disc is loaded by pushing the tray.
2. Rotate the knob to display "CPLAY1MODE" (C34).
3. Press the button to display "CPLAY1MID".
4. The display is changed to "C = AD = - 5. Confirm that the C1 error rate is below 50.
- 6. Press the button to stop playing back. Press the button to eject the check disc.

5-6-6. Self Record/Playback Check

- The error rate is checked using the self record/playback disc. Manufacture the self record/playback disc by user locally using the MDS-JA333ES that is going to be measured of its error rate by means of continuous recording.

Checking procedure:

1. Load a recordable disc (blank disc) into the unit.
The disc is loaded by pushing the tray.
2. Rotate the knob to display "CREC 1MODE" (C35).
3. Press the button to display "CREC 1MID".
4. When recording starts, the message appears and the message changed to "CREC (@@@@)" (@@@@ is an address) and recording starts.
5. After one minute, press the button to stop continuous recording.
6. Rotate the knob to display "CPLAY1MODE" (C34).
7. Press the button to display "CPLAY1MID".
8. Display "C = AD = - 9. Confirm that the C1 error rate is below 80 and the AD error rate is below 2.
- 10. Press the button to stop playing back. Press the button to eject the check disc.

5-7. Returning to Initial Setup of Adjustment Value

Note:

The adjustment result that is stored in the non-volatile memory is all cleared and returned to the initial setup value when procedure is performed. However, the adjustment result of the temperature compensation offset adjustment remains unchanged. When this procedure is performed, be sure to perform all adjustments from very beginning to the end again except the temperature compensation offset adjustment. Perform this procedure as necessary before starting adjustment referring to section "5-4. Precautions for Adjustments".

Setting procedure:

1. Rotate the knob to display "ADJ CLEAR" (C28).
2. After pressing the button, "Complete!" appears for a moment and the initial setting is started. Then, "ADJ CLEAR" (C28) appears.

5-8. Recording and Displaying the IOP Information

The IOP data that is indicated on the pick-up, can be saved in the non-volatile memory of the MDS-JA333ES. The IOP data that is printed on the optical pick-up and the IOP data after adjustment is completed can be saved in the memory. Saving the IOP data in the memory eliminates the needs to look at the printed value on the label that is attached on the surface of optical pick-up, and enables to view the IOP data on display.

Recording procedure:

1. Rotate the **[◀◀AMS▶▶]** knob to display “Iop Write” (C05). Press the **[YES]** button.
2. “Ref=@@.@” (@ is arbitrary number.) appears and the values that can be changed flash.
3. Input the value of IOP that is written in the optical pick-up. Selecting figure: Rotate the **[◀◀AMS▶▶]** knob. Selecting digit : Press the **[◀◀AMS▶▶]** knob.
4. Press the **[YES]** button and “Measu=@@.@” (@ is arbitrary number.) appears.
5. The value of step 4 is used to record the adjustment result, so press the **[YES]** button.
6. “Complete!” appears for a moment, and the value is recorded in the non-volatile memory. Then, “Iop Write” (C05) appears.

Displaying procedure:

1. Rotate the **[◀◀AMS▶▶]** knob to display “Iop Read” (C26) and press the **[YES]** button.
2. “@@.@/##.#” appears and the contents that is recorded are displayed.
@@.@: The value of IOP that is described in pick-up
##.#: The value of IOP after adjustment
3. When the display is completed, press the **[◀◀AMS▶▶]** knob or **[MENU/NO]** button to display “Iop Read” (C26).

5-9. Temperature Compensation Offset Adjustment

The temperature data at 25°C is used as the reference data and is saved in the non-volatile memory for offset adjustment.

Note.

1. Do not perform this adjustment normally.
2. Perform this adjustment under the ambient temperature in the range of 22 to 28 °C. Perform this adjustment immediately after the main power is turned on in which the internal temperature of MDS-JA333ES is still the same as the ambient temperature.
3. After replacing the D101, wait until the temperature of the parts become the same as the ambient temperature and perform this adjustment.

Checking procedure:

1. Rotate the **[◀◀AMS▶▶]** knob to display “TEMP ADJUS” (C03).
2. Press the **[YES]** button and select the “TEMP ADJUS” (C03) mode.
3. “TEMP=□□[OK]” and the current temperature data appear.
4. When the data is saved: Press the **[YES]** button
When the data is not saved: Press the **[MENU/NO]** button
5. When the **[YES]** button is pressed, “TEMP = □□ SAVE” and “TEMP ADJUS” (C03) appear.
When the **[MENU/NO]** button is pressed, the display is changed to “TEMP ADJUS” (C03) immediately.

Specified value:

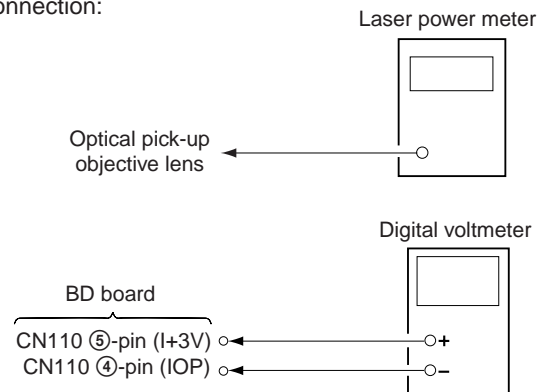
The value of TEMP = □□ is within E0 to EF, F0 to FF, 00 to 0F, 10 to 1F, and 20 to 2F.

5-10. Laser Power Adjustment

Before adjustment:

Confirm the IOP value of optical pick-up. (Refer to Section 5-8 “Recording and displaying the IOP information”).

Connection:

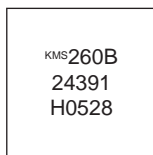


Adjustment procedure:

1. Insert the laser power meter from the disc inlet and set it on the objective lens of the optical pick-up. (When it cannot be set properly, press the **[◀◀]** button and **[▶▶]** button to move the optical pick-up.)
Connect the digital voltmeter to CN110 ⑤-pin (I+3V) and the CN110 ④-pin (IOP).

2. Rotate the $\llbracket \llcorner \text{AMS} \gg \rrbracket$ knob to display "LDPWR ADJUS" (C04).
(laser power: for adjustment)
3. Press the $\llbracket \text{YES} \gg \rrbracket$ button once to display "LD 0.9mW \$ $\square\square\square$ ".
4. Set the lens knob of the laser power meter to 10 mW, press the YES button, and save the adjustment results in the non-volatile memory. ("LD SAVE \$ $\square\square$ " appears for a moment at this time.)
5. "LD 7.0mW \$ $\square\square\square$ " is displayed.
6. Rotate the $\llbracket \llcorner \text{AMS} \gg \rrbracket$ knob so that the reading of the laser power meter is 6.9 to 7.1 mW. Press the $\llbracket \text{YES} \gg \rrbracket$ button and save it. ("LD SAVE \$ $\square\square$ " appears for a moment at this time.)
Note: Do not perform the emission of 7.0 mW continuously for 15 seconds and more.
7. Rotate the $\llbracket \llcorner \text{AMS} \gg \rrbracket$ knob to display "LDPWR CHECK" (C13).
8. Press the $\llbracket \text{YES} \gg \rrbracket$ button once to display "LD 0.9mW \$ $\square\square\square$ ".
The reading of laser power meter is 0.85 to 0.91 mW.
9. Press the $\llbracket \text{YES} \gg \rrbracket$ button once to display "LD 7.0mW \$ $\square\square\square$ ".
The reading of laser power meter is within the specified value.
Take note of the digital bolt meter reading.

(Optical pick-up label)



(For the checking procedure of this value, refer to Section 5-8 "Recording and displaying the IOP information".)

IOP = 52.8 mA in this case
IOP (mA) = digital bolt meter reading (mV)/1 (W)

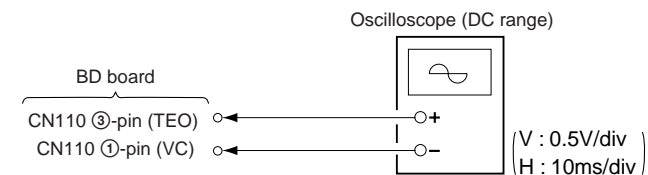
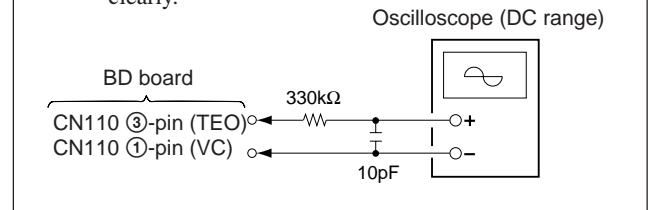
10. Press the $\llbracket \text{MENU/NO} \gg \rrbracket$ button to display "LDPWR CHECK" (C13) and stop laser emission.
(The $\llbracket \text{MENU/NO} \gg \rrbracket$ button is effective at all times to stop the laser emission.)
11. Rotate the $\llbracket \llcorner \text{AMS} \gg \rrbracket$ knob to display "Iop Write" (C05).
12. Press the $\llbracket \text{YES} \gg \rrbracket$ button and after "Ref=@@.@." (@ is arbitrary number.) appears press the YES button to display "Measu=@@.@." (@ is arbitrary number.)
13. The changeable value flashes. Input the IOP value that is written at step 9.
Selecting figure: Rotate the $\llbracket \llcorner \text{AMS} \gg \rrbracket$ knob.
Selecting digit : Press the $\llbracket \llcorner \text{AMS} \gg \rrbracket$ knob.
14. After pressing the $\llbracket \text{YES} \gg \rrbracket$ button, "Complete!" appears for a moment, and the value is recorded in the non-volatile memory. Then, "Iop Write" (C05) appears.

Note 1: After step 9, the display of "LD 0.7mW\$ $\square\square$ " "LD 6.2mW\$ $\square\square\square$ ", "LD Wpホセイ\$ $\square\square$ " is switched every time when pressing the $\llbracket \text{YES} \gg \rrbracket$ button. Operation is not necessary for these displays.

5-11. Traverse Adjustment

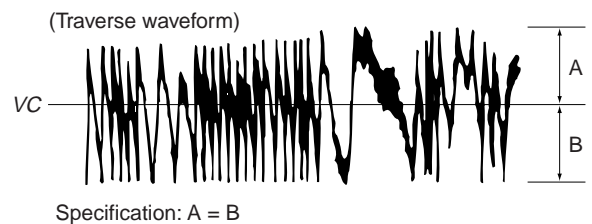
Note1: If the recorded disc is used for this adjustment, the data is deleted.

Note2: If the traverse waveform is not clear, connect the oscilloscope as shown below so that it can be seen more clearly.



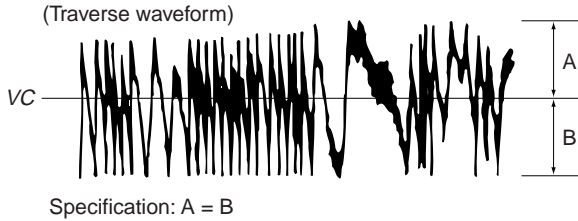
Adjustment procedure:

1. Connect the oscilloscope to the CN110 ③-pin (TEO) and the CN110 ①-pin (VC) of the BD board.
2. Load a recordable disc (any available on the market). (Refer to Note 1.)
The disc is loaded by pushing the tray.
3. Press the $\llbracket \blacktriangleright \gg \rrbracket$ button to move the optical pick-up outside the pit.
4. Rotate the $\llbracket \llcorner \text{AMS} \gg \rrbracket$ knob to display "EF MO ADJUS" (C07).
5. Press the YES button to display "EFB = $\square\square$ MO-R".
(Laser power READ power, focus servo ON, tracking servo OFF, and spindle (S) servo ON are set)
6. Rotate the $\llbracket \llcorner \text{AMS} \gg \rrbracket$ knob so that the waveform of the oscilloscope is the specified value. (The figure $\square\square$ of the "EFB = $\square\square$ " and the waveform are changed by rotating the $\llbracket \llcorner \text{AMS} \gg \rrbracket$ knob.) In this adjustment, the waveform varies at intervals of approx. 2%. Adjust the waveform so that the specified value is satisfied as much as possible.
(Read power traverse adjustment)

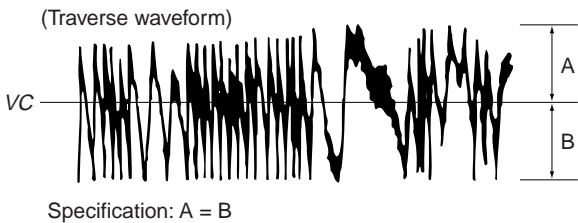


7. Press the $\llbracket \text{YES} \gg \rrbracket$ button to save the adjustment results in the non-volatile memory. (At this time "EFB = $\square\square$ SAV" is displayed for a moment, and then "EFB = $\square\square$ MO-W" is displayed.)

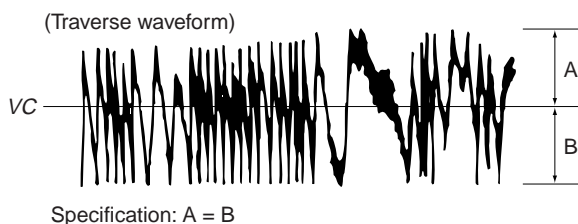
8. Rotate the $\llbracket \llcorner \llcorner \text{AMS} \gg \gg \rrbracket$ knob so that the waveform of the oscilloscope is the specified value. (The figure $\square \square$ of the “EFB = $\square \square$ ” and the waveform are changed by rotating the $\llbracket \llcorner \llcorner \text{AMS} \gg \gg \rrbracket$ knob.) In this adjustment, the waveform varies at intervals of approx. 2%. Adjust the waveform so that the specified value is satisfied as much as possible.
(Write power traverse adjustment)



9. Press the $\llbracket \text{YES} \rrbracket$ button to save the adjustment results in the non-volatile memory. (At this time “EFB = $\square \square$ SAV” is displayed for a moment)
10. “EFB = MO-P” appears and the optical pick-up moves to the internal circumference of the pit area automatically and servo is imposed.
11. Rotate the $\llbracket \llcorner \llcorner \text{AMS} \gg \gg \rrbracket$ knob so that the waveform of the oscilloscope moves closer to the specified value.
In this adjustment, the waveform varies at intervals of approx. 2%. Adjust the waveform so that the specified value is satisfied as much as possible.
(Write power traverse adjustment)



12. Press the $\llbracket \text{YES} \rrbracket$ button to save the adjustment results in the non-volatile memory. (At this time “EFB = $\square \square$ SAV” is displayed for a moment)
Then, “EF MO ADJUS” (C07) appears and the disc stops rotating automatically.
13. Press the $\llbracket \text{EJECT} \rrbracket$ button to eject the disc.
14. Load a check disc (TDYS-1).
The disc is loaded by pushing the tray.
15. Rotate the $\llbracket \llcorner \llcorner \text{AMS} \gg \gg \rrbracket$ knob to display “EF CD ADJUS” (C08).
16. Press the $\llbracket \text{YES} \rrbracket$ button to display “EFB = $\square \square$ CD”. The servo is imposed automatically.
17. Rotate the $\llbracket \llcorner \llcorner \text{AMS} \gg \gg \rrbracket$ knob so that the waveform of the oscilloscope makes closer to the specified value.
In this adjustment, the waveform varies at intervals of approx. 2%. Adjust the waveform so that the specified value is satisfied as much as possible.



18. Press the $\llbracket \text{YES} \rrbracket$ button to save the adjustment results in the non-volatile memory. (At this time “EFB = $\square \square$ SAV” is displayed for a moment)
Then, “EF CD ADJUS” (C08) appears and the disc stops rotating automatically.
19. Press the $\llbracket \text{EJECT} \rrbracket$ button to eject the check disc.

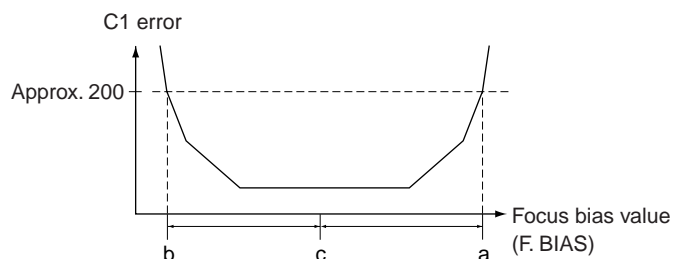
5-12. Focus Bias Adjustment

Adjustment procedure:

- Load the test disc (MDW-74/GA-1).
The disc is loaded by pushing the tray.
- Rotate the $\llbracket \llcorner \llcorner \text{AMS} \gg \gg \rrbracket$ knob to display “CPLAY1MODE” (C34).
- Press the $\llbracket \text{YES} \rrbracket$ button to display “CPLAY MID”.
- After “C = $\square \square \square \square$ AD = $\square \square$ ” appears, press the $\llbracket \text{MENU/NO} \rrbracket$ button.
- Rotate the $\llbracket \llcorner \llcorner \text{AMS} \gg \gg \rrbracket$ knob to display “FBIAS CHECK” (C16).
- Press the $\llbracket \text{YES} \rrbracket$ button to display “ $\square \square \square \square$ / $\square \square$ a = $\square \square$ ”.
The first four digits indicate the C1 error rate, the two digits after “/” indicate ADER, and the two digits after “a =” indicate the focus bias amount.
- Rotate the $\llbracket \llcorner \llcorner \text{AMS} \gg \gg \rrbracket$ knob in the clockwise direction and find the focus bias amount at which the C1 error rate becomes approx. 200. (Refer to Note 2.)
- Press the $\llbracket \text{YES} \rrbracket$ button to display “ $\square \square \square \square$ / $\square \square$ b = $\square \square$ ”.
- Rotate the $\llbracket \llcorner \llcorner \text{AMS} \gg \gg \rrbracket$ knob in the counterclockwise direction and find the focus bias amount at which the C1 error rate becomes approx. 200. (Refer to Note 2.)
Adjust the $\llbracket \llcorner \llcorner \text{AMS} \gg \gg \rrbracket$ knob so that the C1 error rate becomes almost same value as the value set in step 7.
- Press the $\llbracket \text{YES} \rrbracket$ button to display “ $\square \square \square \square$ / $\square \square$ c = $\square \square$ ”.
- Confirm that the C1 error rate is below 50 and the ADER is 00 and press the $\llbracket \text{YES} \rrbracket$ button.
- If “($\square \square$)” of “ $\square \square$ - $\square \square$ ($\square \square$)” is above 20, press the $\llbracket \text{YES} \rrbracket$ button.
If it is below 20, press the $\llbracket \text{MENU/NO} \rrbracket$ button and perform the adjustment from the step 2 again.
- Press the $\llbracket \text{EJECT} \rrbracket$ button to eject the test disc.

Note 1: The relation between the C1 error and focus bias is as shown in the following figure. Find points a and b in the following figure using the above adjustment. The focal point position C is automatically calculated from points a and b.

Note 2: As the C1 error rate changes, perform the adjustment using the average value.



5-13. Error Rate Check

5-13-1. CD Error Rate Check

Checking procedure:

1. Load a check disc (TDYS-1).
The disc is loaded by pushing the tray.
2. Rotate the **[◀◀AMS▶▶]** knob to display “CPLAY1MODE” (C34).
3. Press the **[YES]** button to display “CPLAY1MID”.
4. The display is changed to “C = □□□□AD = □□”.
5. Confirm that the C1 error rate is below 20.
6. Press the **[MENU/NO]** button to stop playing back, and press the **[⏏]** button to eject the check disc.

5-13-2. MO Error Rate Check

Checking procedure:

1. Load a test disc (MDW-74/GA-1).
The disc is loaded by pushing the tray.
2. Rotate the **[◀◀AMS▶▶]** knob to display “CPLAY1MODE” (C34).
3. Press the **[YES]** button to display “CPLAY1MID”.
4. The display is changed to “C = □□□□AD = □□”.
5. Confirm that the C1 error rate is below 50 and the ADER is below 2.
6. Press the **[MENU/NO]** button to stop playing back, and press the **[⏏]** button to eject the test disc.

5-14. Focus Bias Check

Change the focus bias to check the focus tolerance amount.

Checking procedure:

1. Load the test disc (MDW-74/GA-1).
The disc is loaded by pushing the tray.
2. Rotate the **[◀◀AMS▶▶]** knob to display “CPLAY1MODE” (C34).
3. Press the **[YES]** button to display “CPLAY1MID”.
4. After “C = □□□□AD = □□” appears, press the **[MENU/NO]** button.
5. Rotate the **[◀◀AMS▶▶]** knob to display “FBIAS CHECK” (C16).
6. Press the **[YES]** button to display “□□□□/□□c = □□”.
The first four digits indicate the C1 error rate, the two digits after “/” indicate ADER, and the two digits after “c =” indicate the focus bias amount.
Confirm that the C1 error is below 50 and the ADER is below 2.
7. Press the **[YES]** button to change the display to “□□□□ / □□ b = □□”.
Confirm that the C1 error is below 200 and the ADER is below 2.
8. Press the **[YES]** button to change the display to “□□□□ / □□ a = □□”.
Confirm that the C1 error is below 200 and the ADER is below 2.

9. Press the **[MENU/NO]** button and press the **[⏏]** button to eject the test disc.

Note 1 : If the C1 error and ADER are out of the specified value at points a (step 8) or b (step 7), the focus bias adjustment may not have been carried out properly. Perform the adjustment from the beginning again.

5-15. Auto Gain Control Output Level Adjustment

Be sure to perform this adjustment when optical pick-up is replaced. When result of adjustment ends with the message “Adjust NG!”, the optical pick-up may be defective. Perform the adjustment again.

5-15-1. CD Auto Gain Control Output Level Adjustment

Adjustment procedure:

1. Load the test disc (TDYS-1).
The disc is loaded by pushing the tray.
2. Rotate the **[◀◀AMS▶▶]** knob to display “AG Set (CD)” (C11).
3. Press the **[YES]** button to start automatic adjustment. After the adjustment results are saved in the non-volatile memory and “Complete!” appears, the display is changed to “AG Set (CD)” (C11) and the adjustments are completed.
4. Press the **[MENU/NO]** button and press the **[!]** button to eject the check disc.

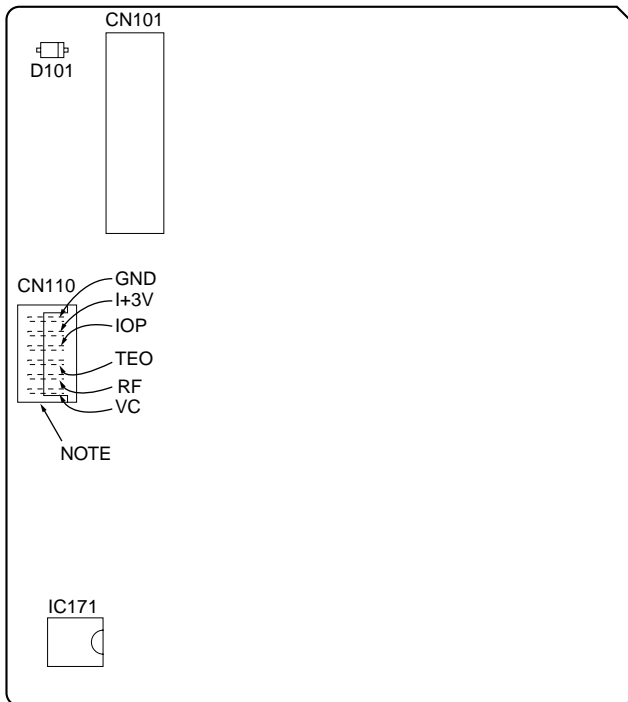
5-15-2. MO Auto Gain Control Output Level Adjustment

Adjustment procedure:

1. Load the test disc (MDW-74/GA-1).
The disc is loaded by pushing the tray.
2. Rotate the **[◀◀AMS▶▶]** knob to display “AG Set (MO)” (C10).
3. Press the **[YES]** button to start automatic adjustment. After the adjustment results are saved in the non-volatile memory and “Complete!” appears, the display is changed to “AG Set (MO)” (C10) and the adjustments are completed.
4. Press the **[MENU/NO]** button and press the **[⏏]** button to eject the check disc.

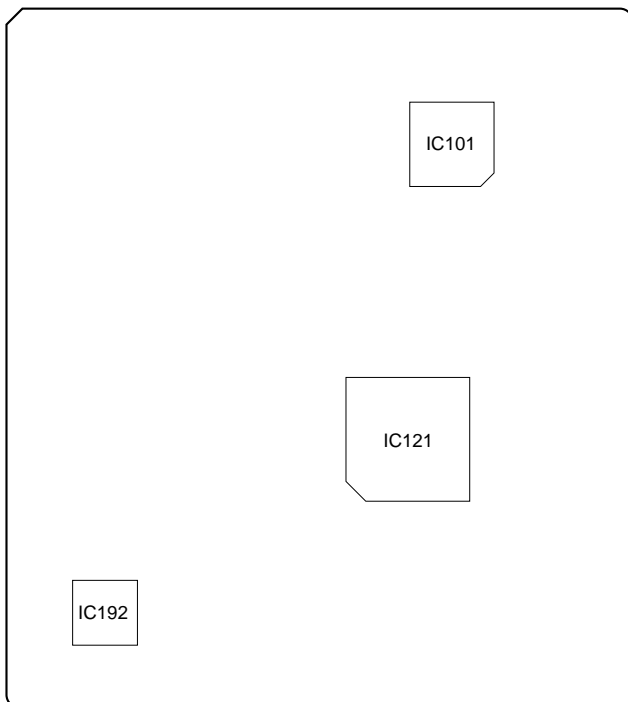
5-16. Adjusting Points and Connecting Points

[BD BOARD] (SIDE A)

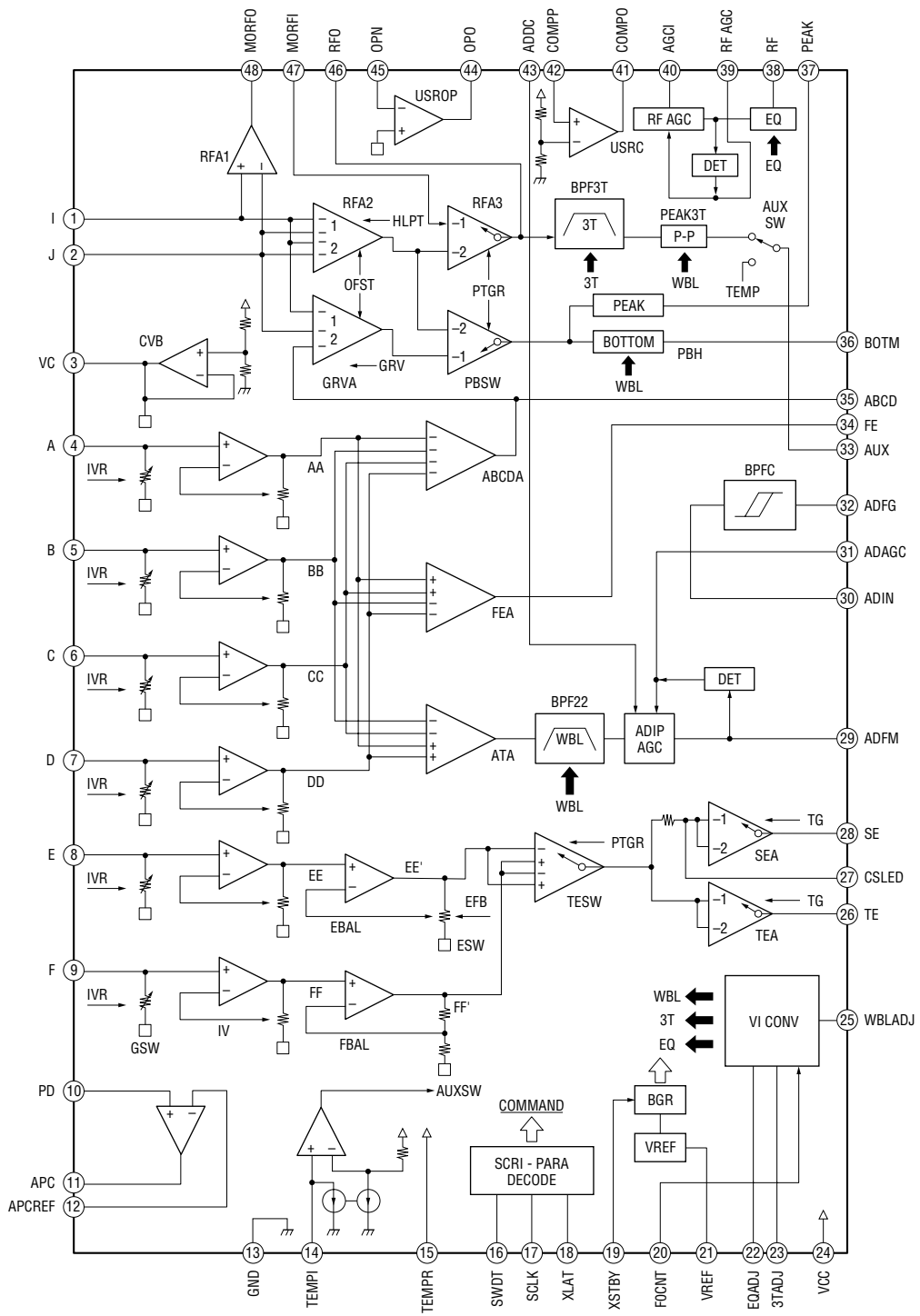


Note: It is recommended to use the tool for BD board waveform check when the waveform is checked.
(Refer to page 7 of Service note.)

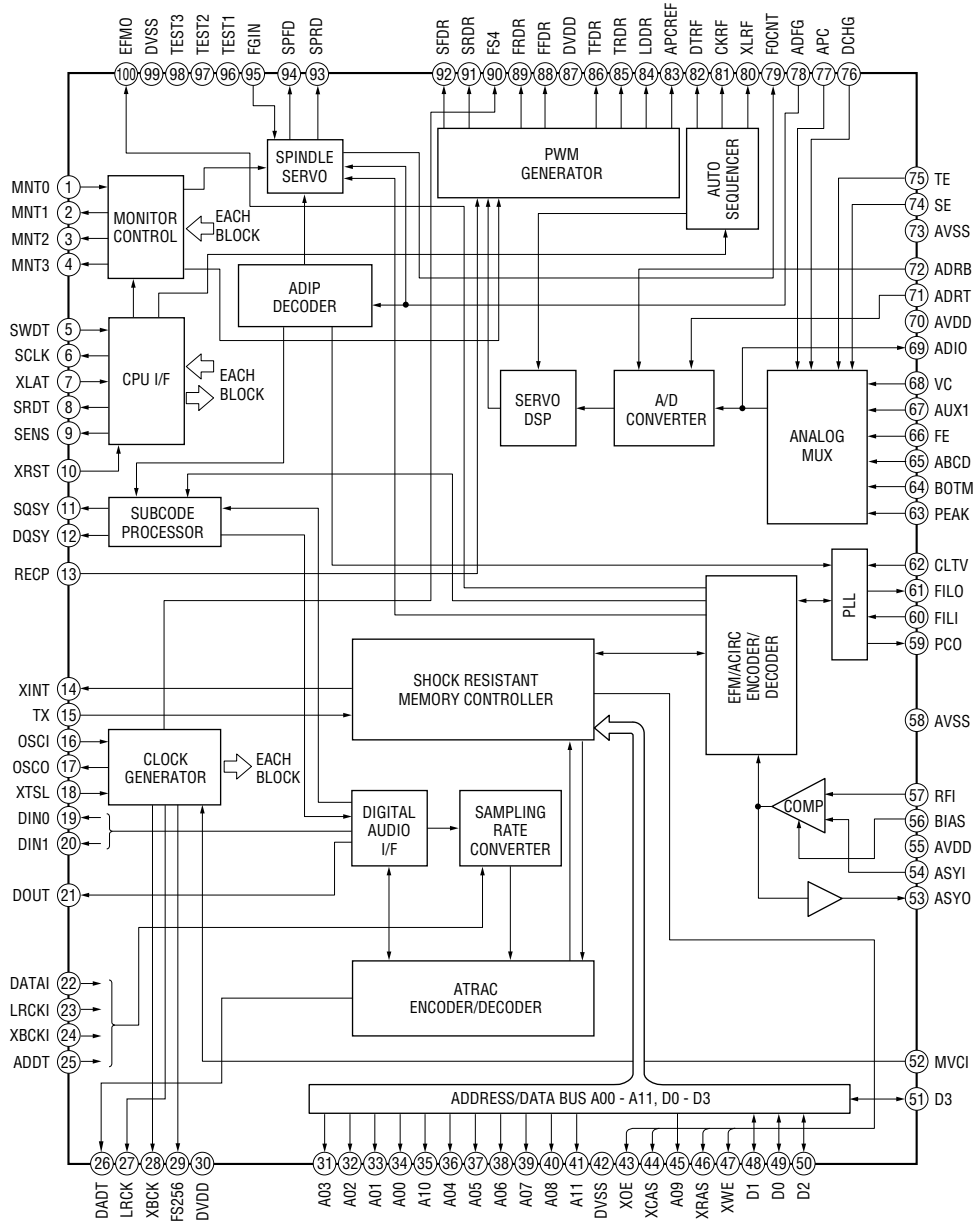
[BD BOARD] (SIDE B)



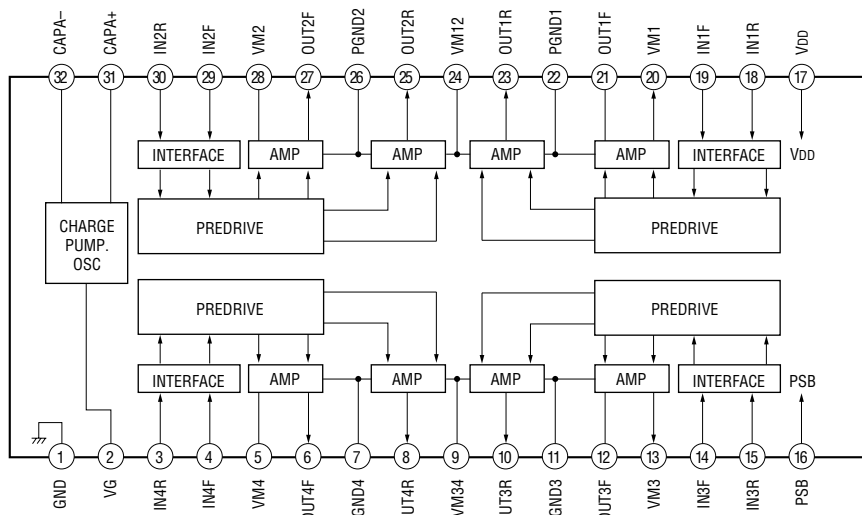
6-22. IC BLOCK DIAGRAMS
IC101 CXA2523AR (BD BOARD)



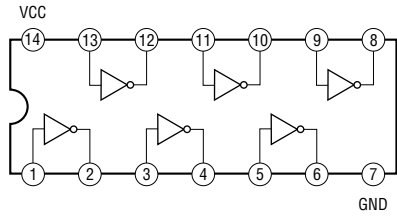
IC121 CXD2662R (BD BOARD)



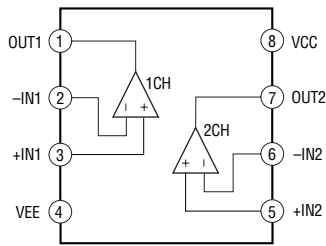
IC152 BH6511FS (BD BOARD)



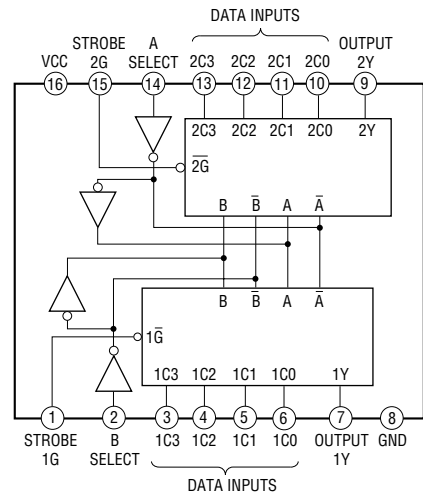
IC404,406 SN74HCU04ANS-E05 (DIO BOARD)



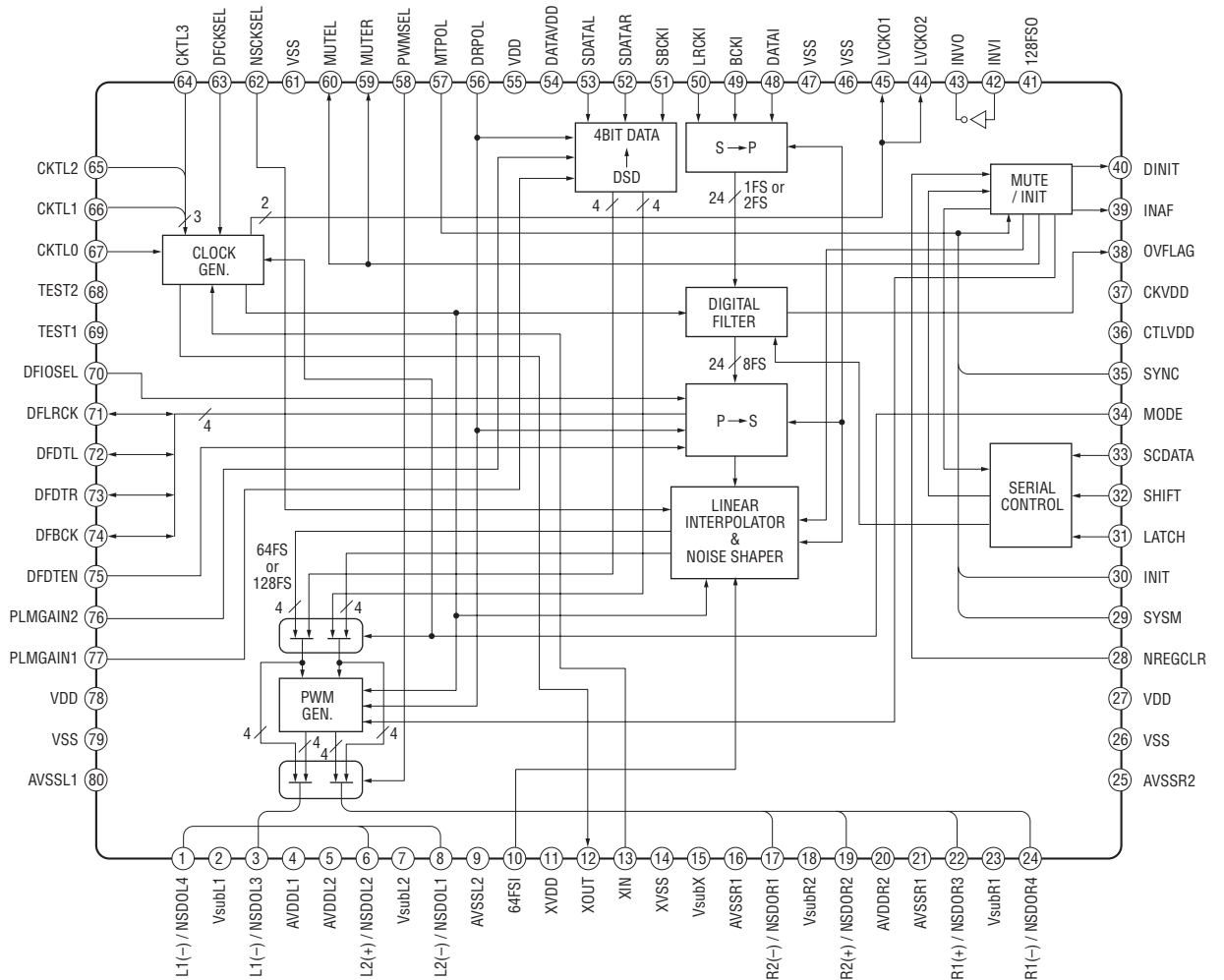
IC651 M5218AP (HP BOARD)



IC405 SN74HC153ANS-E05 (DIO BOARD)

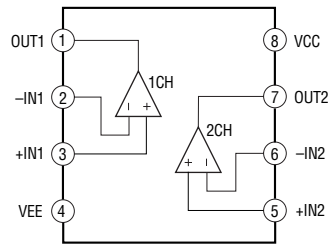
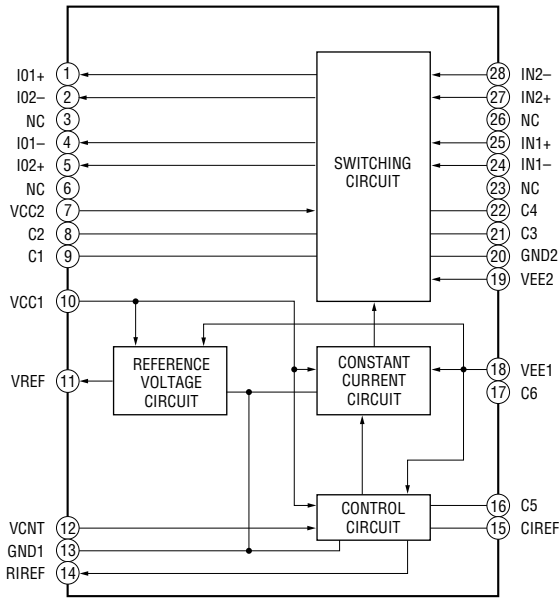


IC501 CXD9556AQ (DA BOARD)

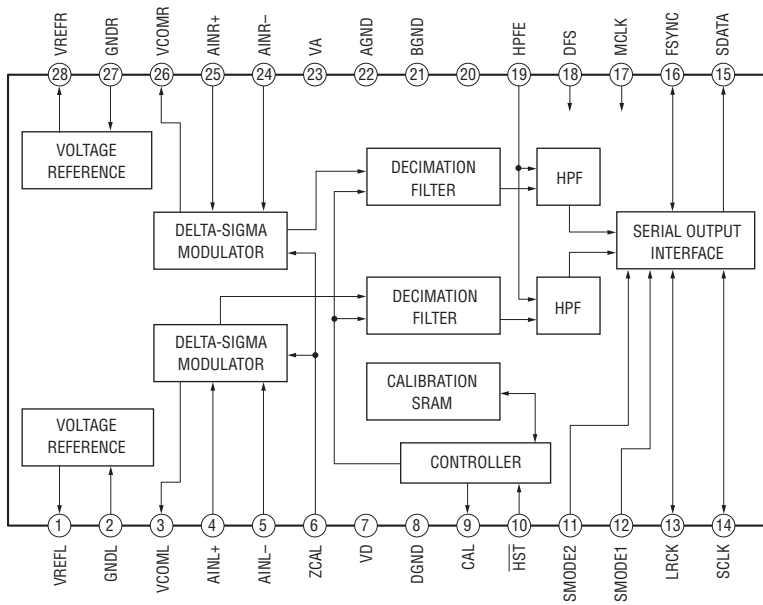


IC504,505 CXA8042AS (DA BOARD)

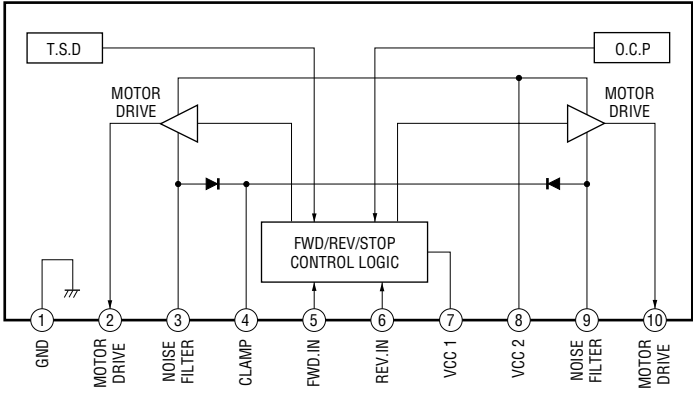
IC305,306,307,308 NJM2114D (AD BOARD)



IC302 AK5383VF (AD BOARD)

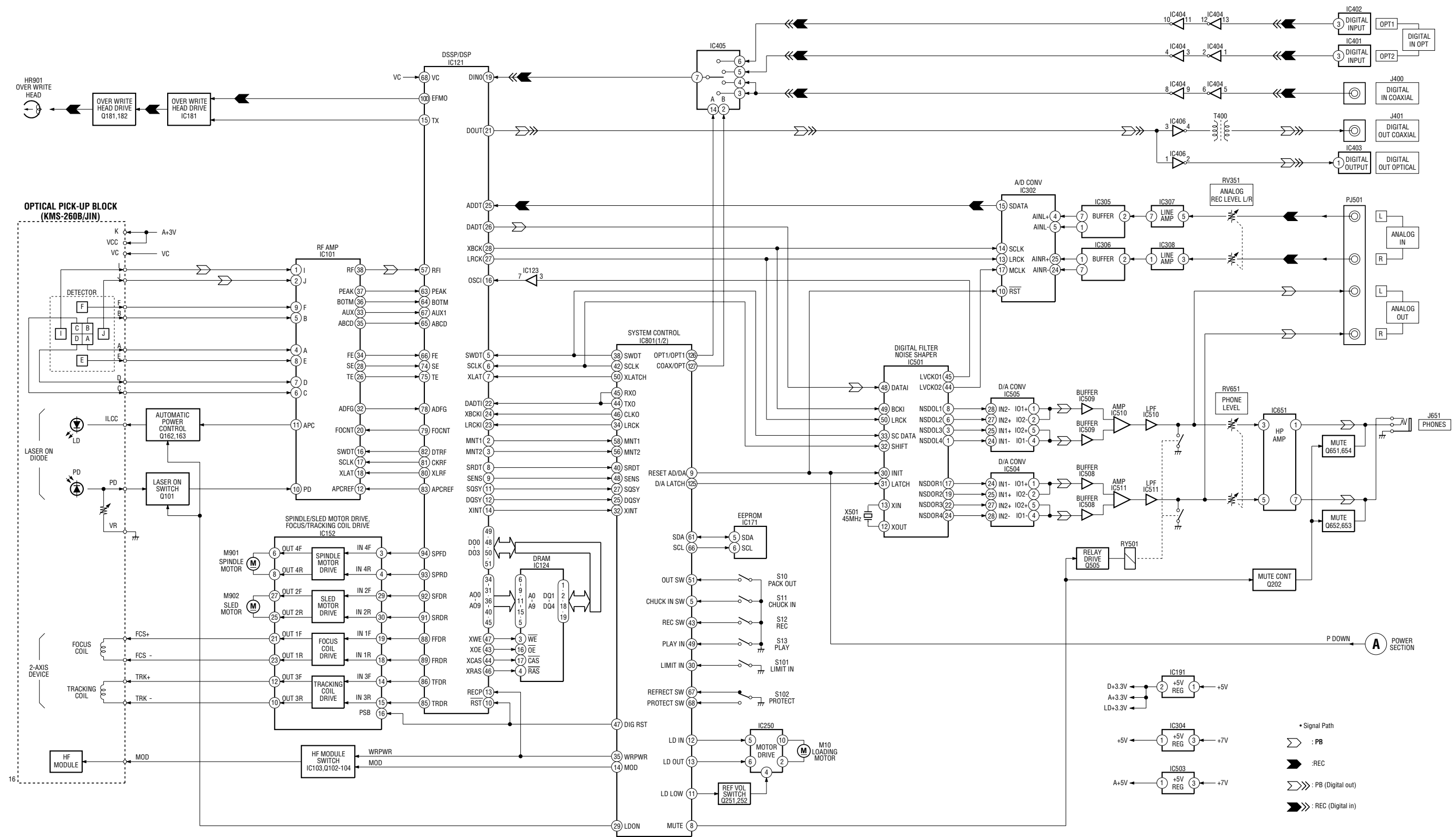


IC250 LB1641 (POW BOARD)

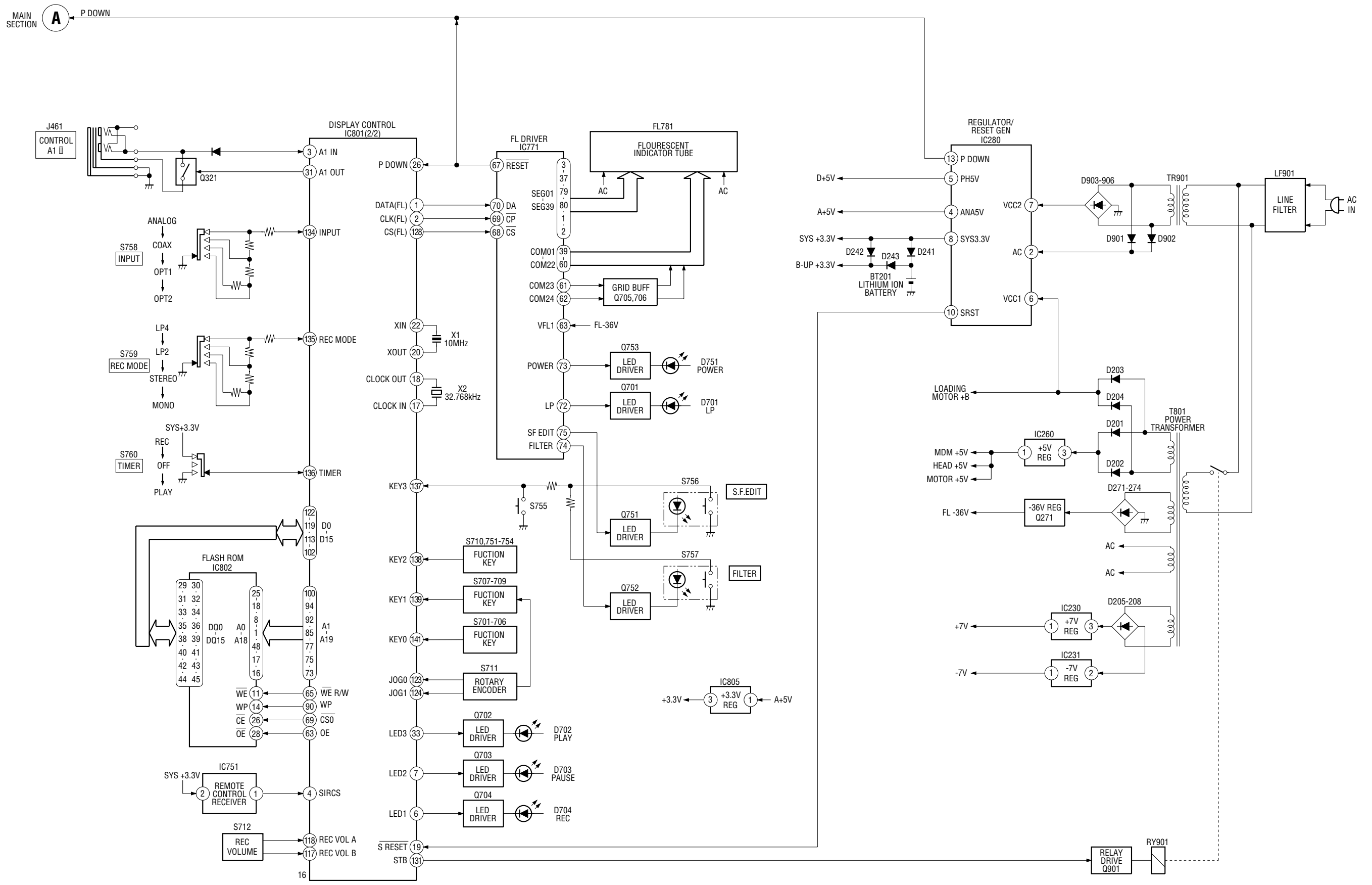


SECTION 6
DIAGRAMS

6-1. BLOCK DIAGRAMS
MAIN SECTION

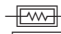
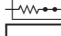



DISPLAY/POWER SUPPLY SECTION



THIS NOTE IS COMMON FOR PRINTED WIRING BOARDS AND SCHEMATIC DIAGRAMS.
(In addition to this, the necessary note is printed in each block.)

Note on Schematic Diagram:







- All capacitors are in μF unless otherwise noted. pF: $\mu\mu\text{F}$ 50 WV or less are not indicated except for electrolytics and tantalums.
- All resistors are in Ω and $1/4\text{W}$ or less unless otherwise specified.
- Δ : internal component.
-  : nonflammable resistor.
-  : fusible resistor.
-  : panel designation.

Note:

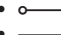


The components identified by mark Δ or dotted line with mark Δ are critical for safety. Replace only with part number specified.

Note:

Les composants identifiés par une marque Δ sont critiques pour la sécurité. Ne les remplacer que par une pièce portant le numéro spécifié.

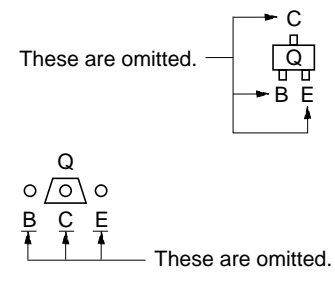
-  : B+ Line.
-  : B- Line.
- Voltages are taken with a VOM (Input impedance 10 M Ω). Voltage variations may be noted due to normal production tolerances.
- Waveforms are taken with a oscilloscope. Voltage variations may be noted due to normal production tolerances.
- Signal path.
 -  : PB
 -  : REC
 -  : PB (DIGITAL)
 -  : REC (DIGITAL)

Note on Printed Wiring Boards:

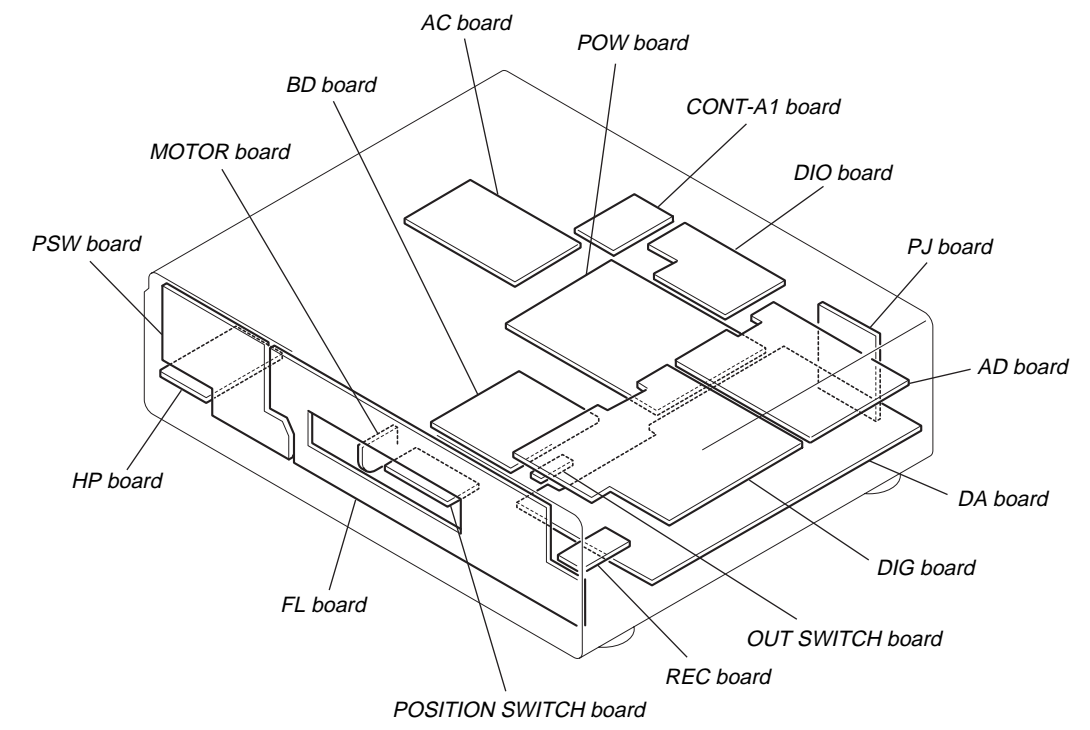
-  : parts extracted from the component side.
-  : parts extracted from the conductor side.
-  : Pattern from the side which enables seeing. (The other layers' patterns are not indicated.)

Caution:
 Pattern face side: Parts on the pattern face side seen from the conductor side are indicated.
 Parts face side: Parts on the parts face side seen from the component side are indicated.

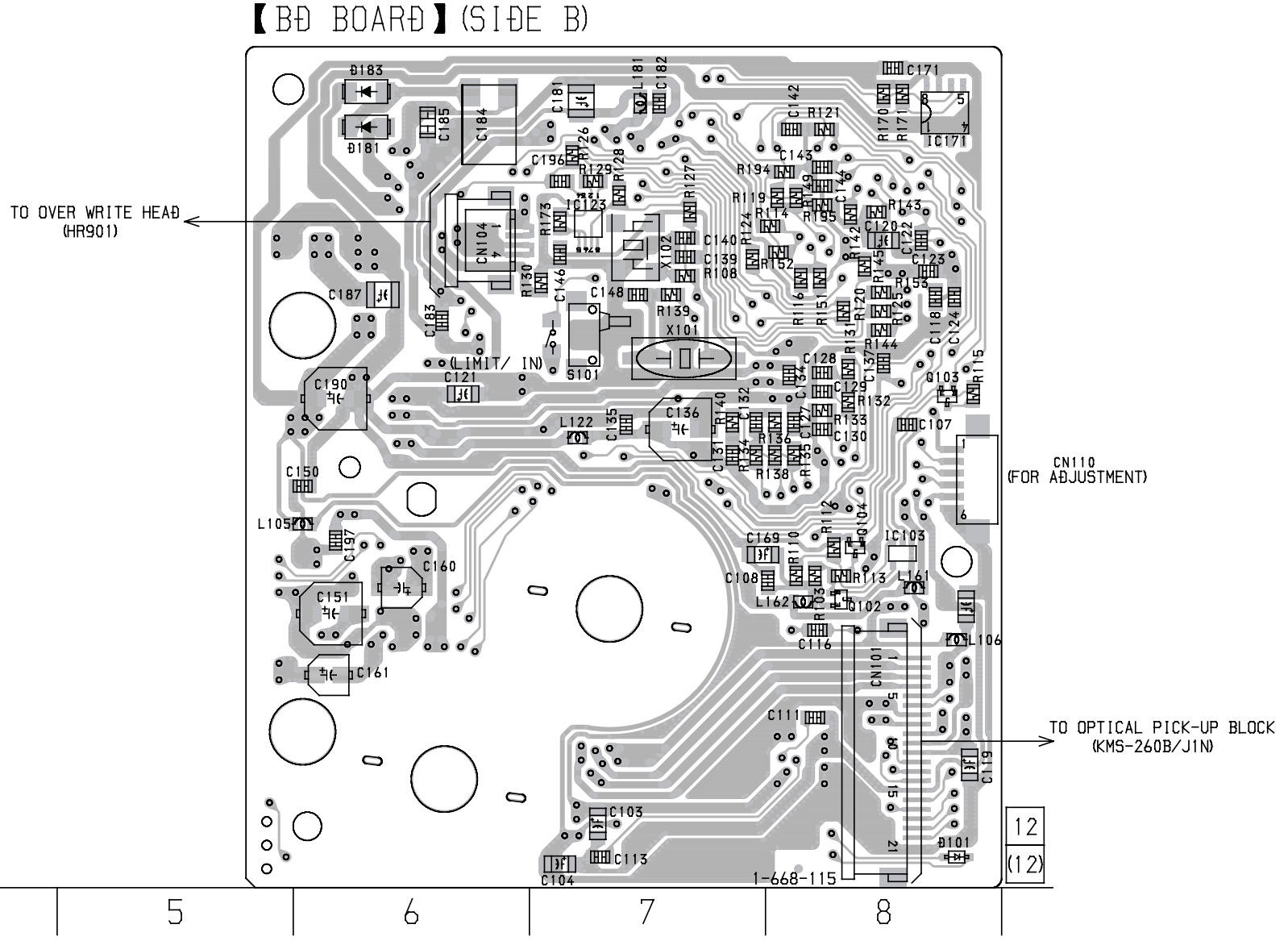
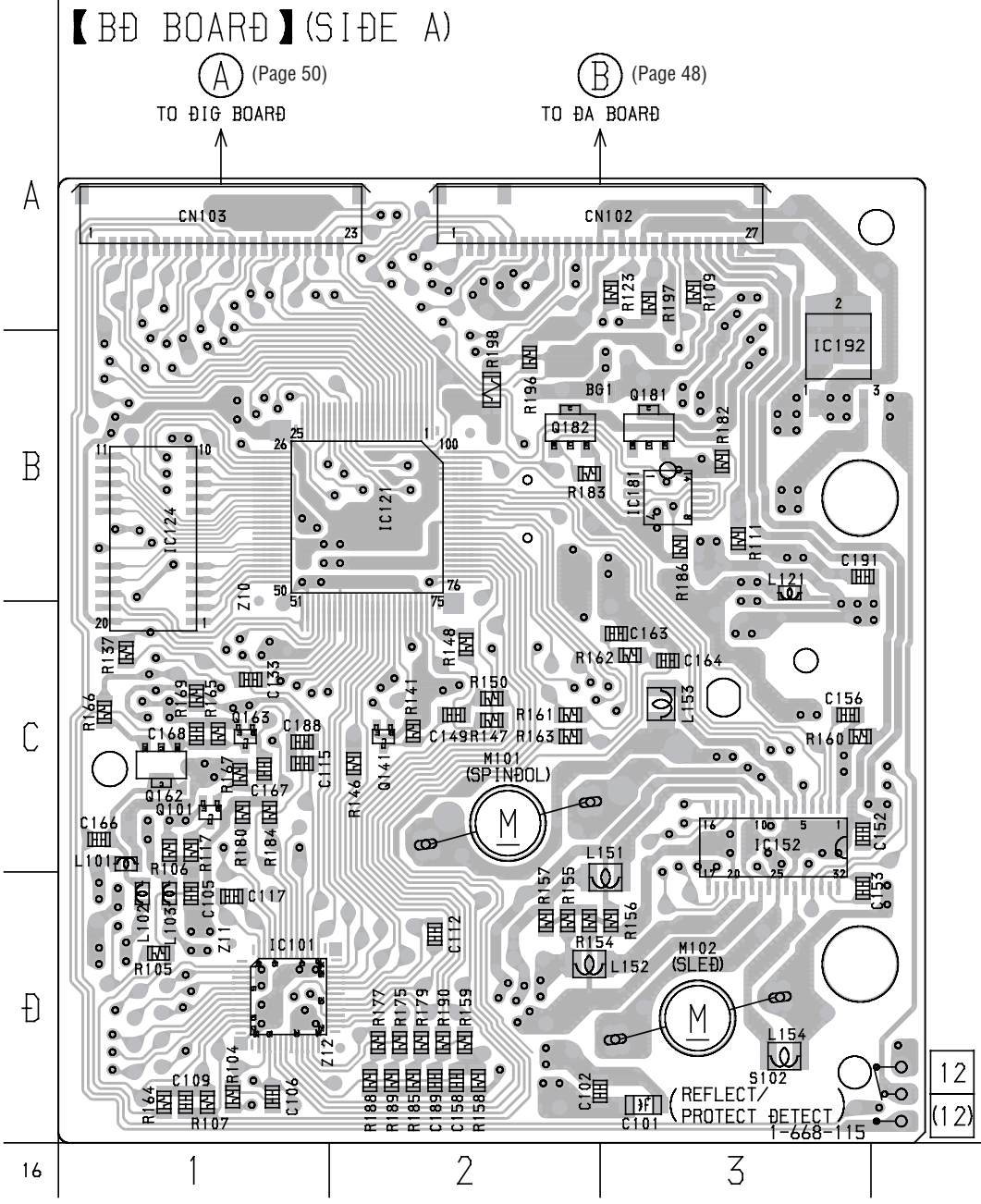
- Indication of transistor.



6-2. CIRCUIT BOARD LOCATION



6-3. PRINTED WIRING BOARD BD SECTION • Refer to page 39 for Note on Printed Wiring Boards. • Refer to page 39 for Circuit Board Location.

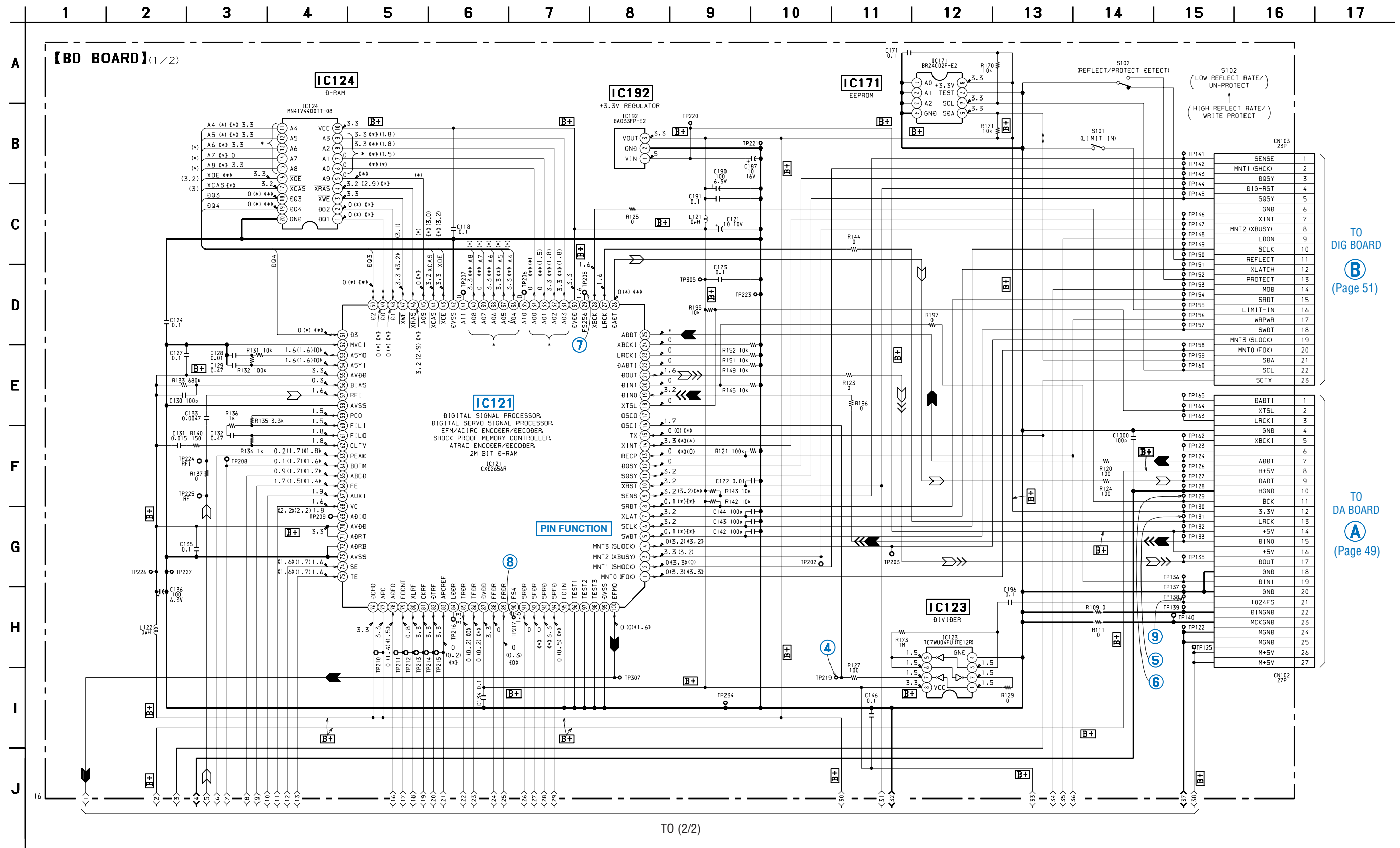


• Semiconductor Location

Ref. No.	Location	Ref. No.	Location
D101	D-8	Q101	C-1
D181	A-6	Q102	C-8
D183	A-6	Q103	B-8
		Q104	C-8
IC101	D-1	Q162	C-1
IC103	C-8	Q163	C-1
IC121	B-2	Q181	B-3
IC123	B-7	Q182	B-2
IC124	B-1		
IC152	C-3		
IC171	A-8		
IC181	B-3		
IC192	B-3		

6-4. SCHEMATIC DIAGRAM BD SECTION (1/2)

• Refer to page 39 for Note on Schematic Diagrams. • Refer to page 60 for Waveforms.
 • Refer to page 61 for IC Block Diagram. • Refer to page 67 for IC Pin Function.

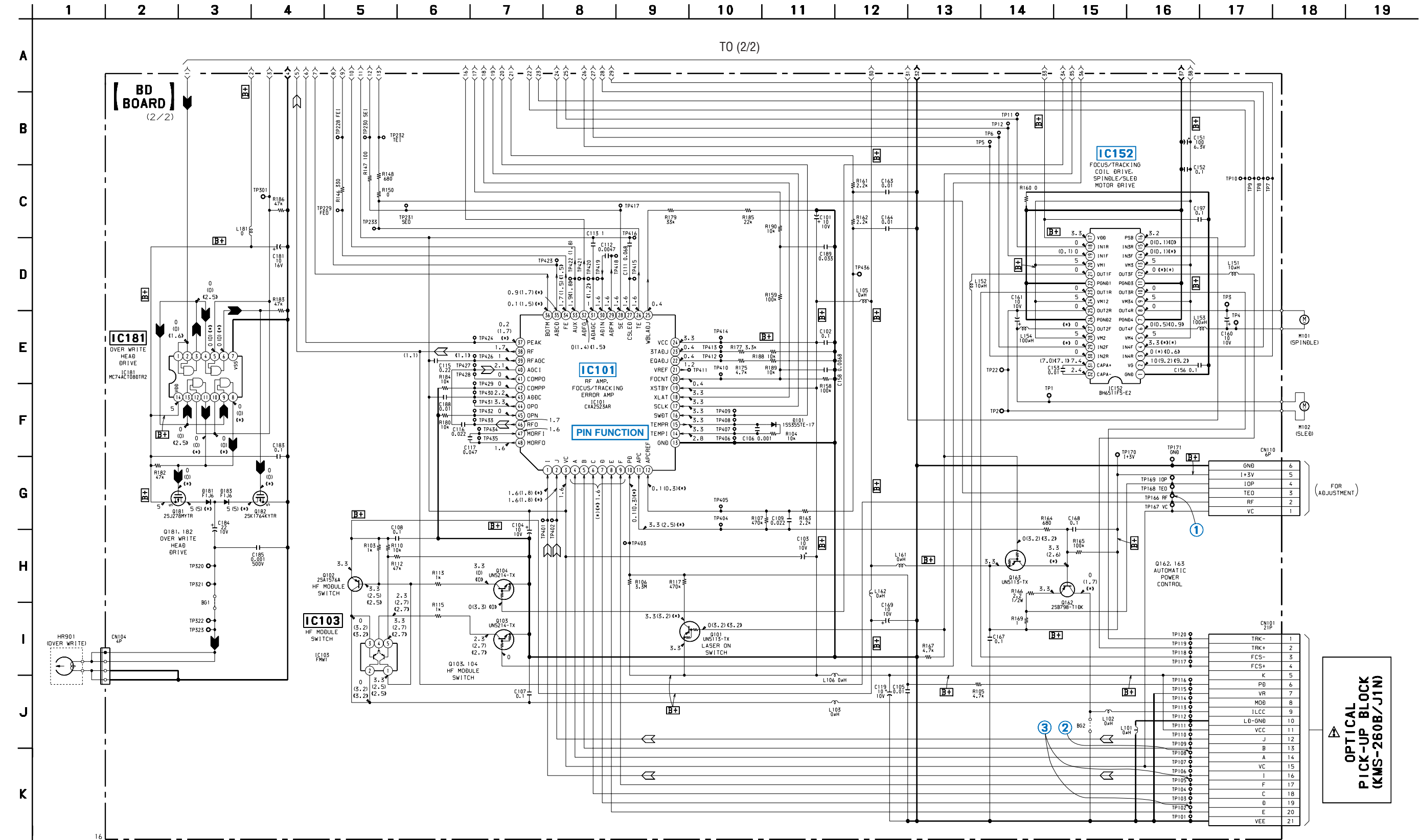


TO DIG BOARD
 (B)
 (Page 51)

TO DA BOARD
 (A)
 (Page 49)

6-5. SCHEMATIC DIAGRAM BD SECTION (2/2)

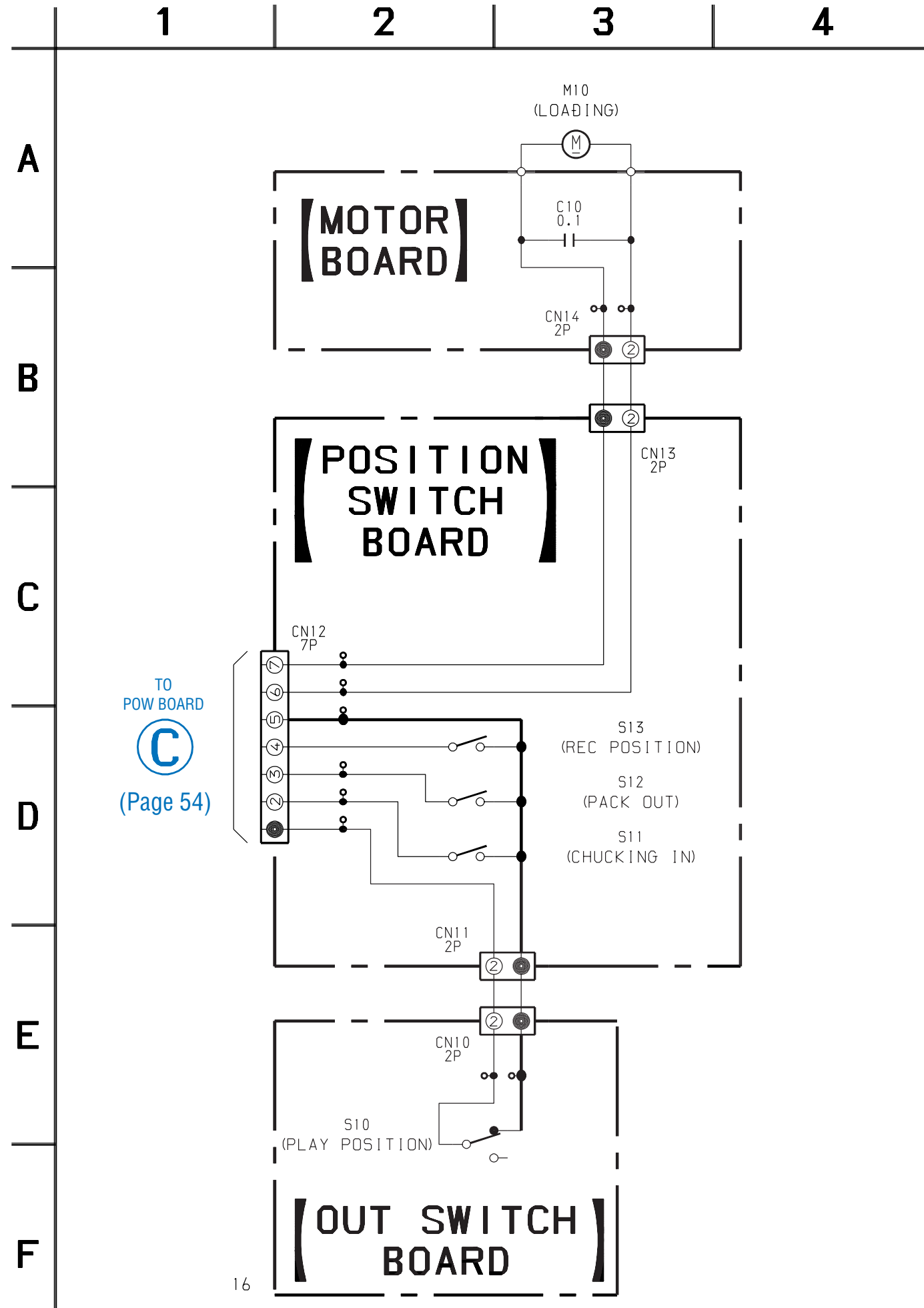
- Refer to page 39 for Note on Schematic Diagrams.
- Refer to page 60 for Waveforms.
- Refer to page 61 for IC Block Diagrams.
- Refer to page 66 for IC Pin Function.



The components identified by mark Δ or dotted line with mark Δ are critical for safety. Replace only with part number specified.

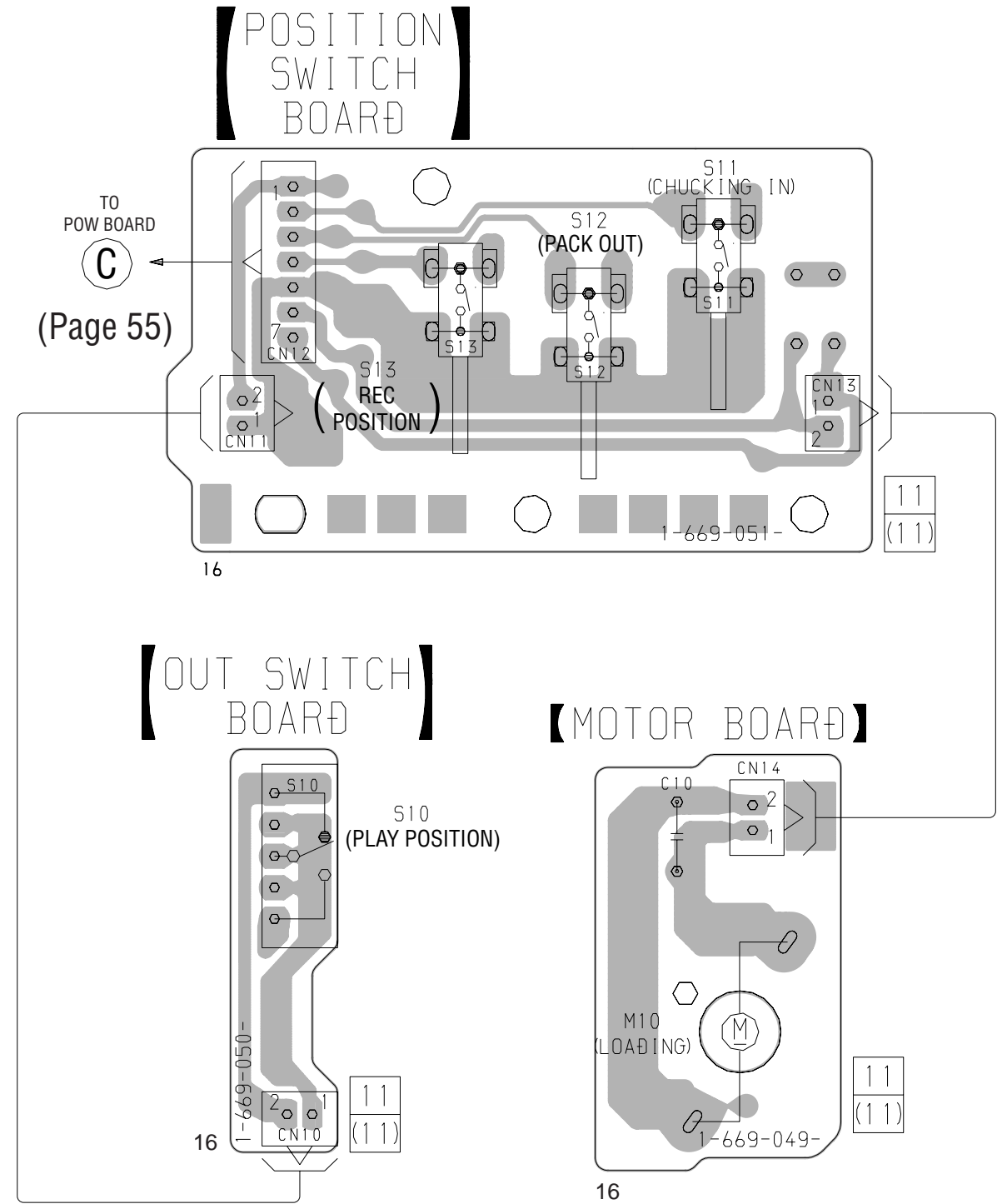
Les composants identifiés par une marque Δ sont critiques pour la sécurité. Ne les remplacer que par une pièce portant le numéro spécifié.

6-6. SCHEMATIC DIAGRAM BD SWITCH SECTION • Refer to page 39 for Note on Schematic Diagrams.



6-7. PRINTED WIRING BOARD BD SWITCH SECTION • Refer to page 39 for Note on Printed Wiring Boards. • Refer to page 39 for Circuit Board Location.

There are few cases that the part printed on this diagram isn't mounted in this model.

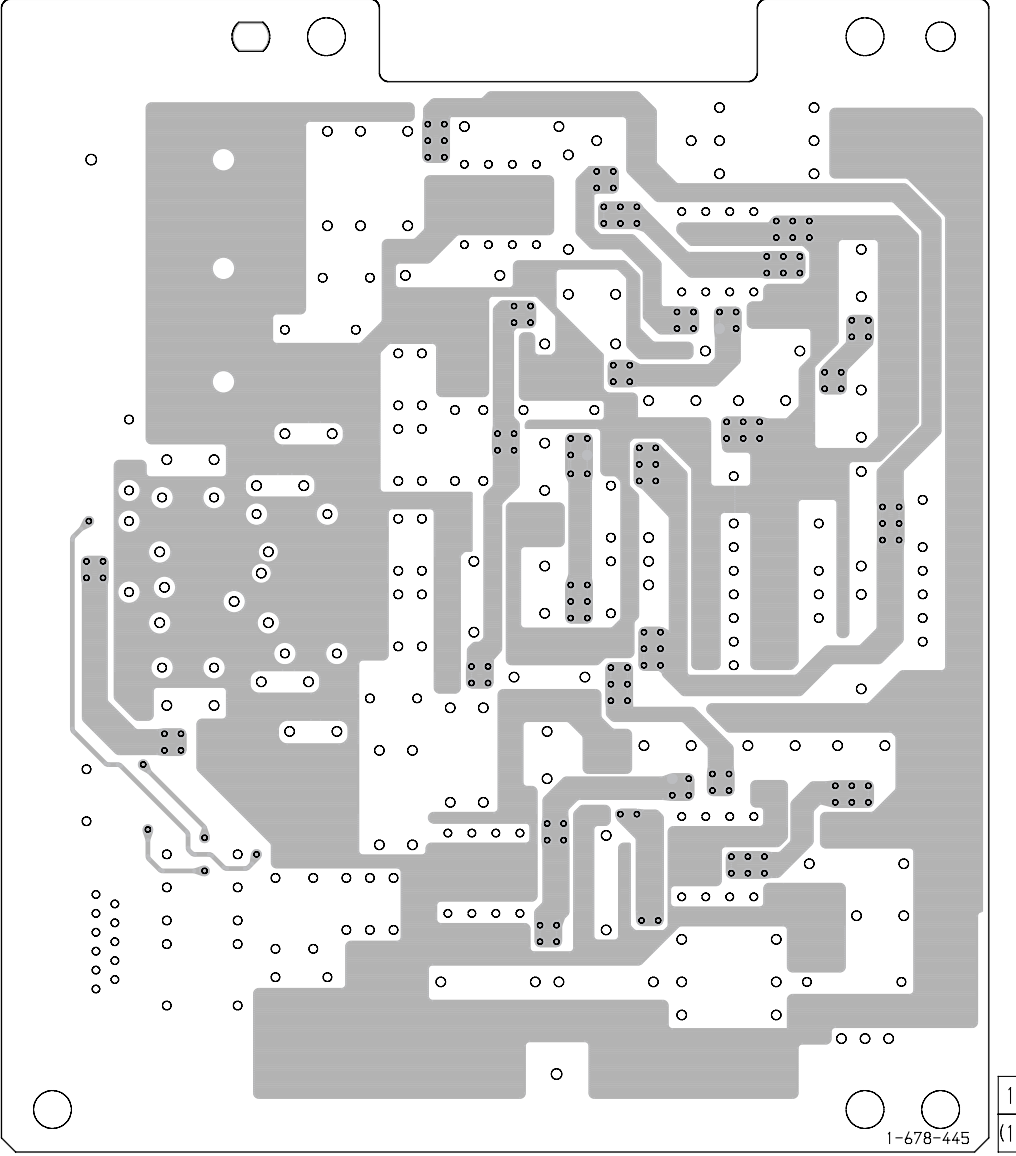
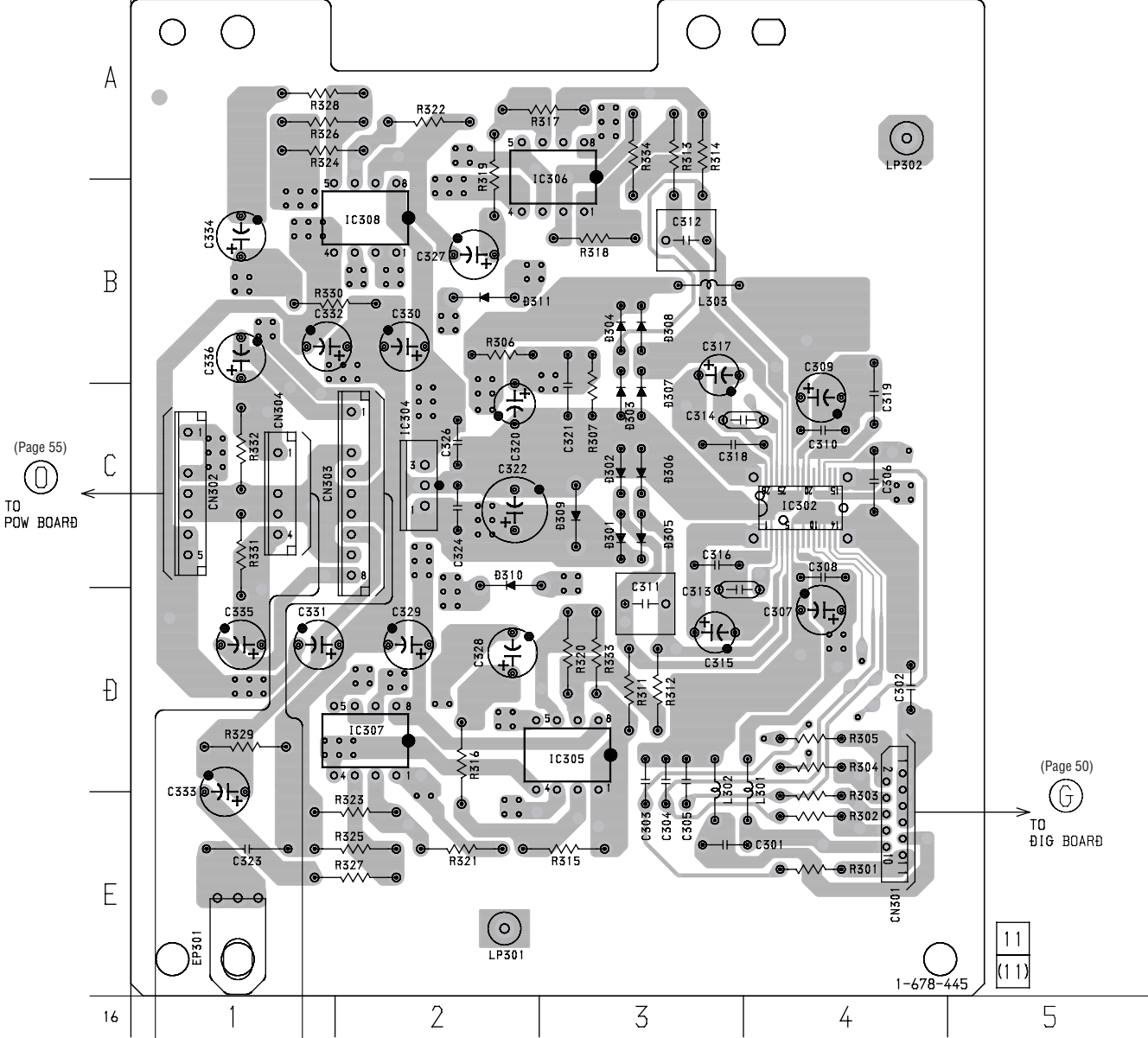


6-8. PRINTED WIRING BOARD AD SECTION • Refer to page 39 for Note on Printed Wiring Boards. • Refer to page 39 for Circuit Board Location.

There are few cases that the part printed on this diagram isn't mounted in this model.

【AD BOARD】(SIDE A)

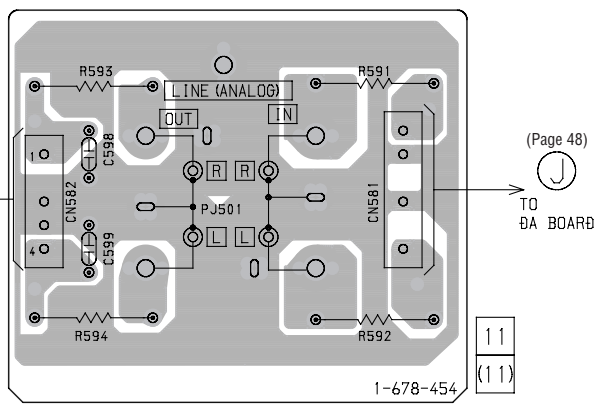
【AD BOARD】(SIDE B)



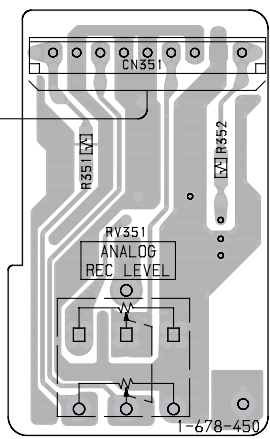
• Semiconductor Location

Ref. No.	Location
D301	C-3
D302	C-3
D303	C-3
D304	B-3
D305	C-3
D306	C-3
D307	C-3
D308	B-3
D309	C-3
D310	C-2
D311	B-2
IC302	C-4
IC304	C-2
IC305	D-3
IC306	A-3
IC307	D-2
IC308	B-2

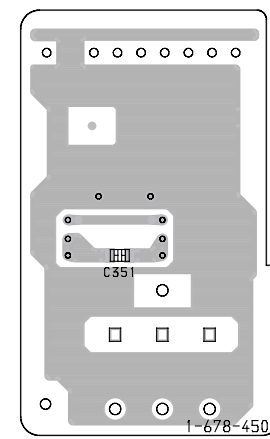
【PJ BOARD】



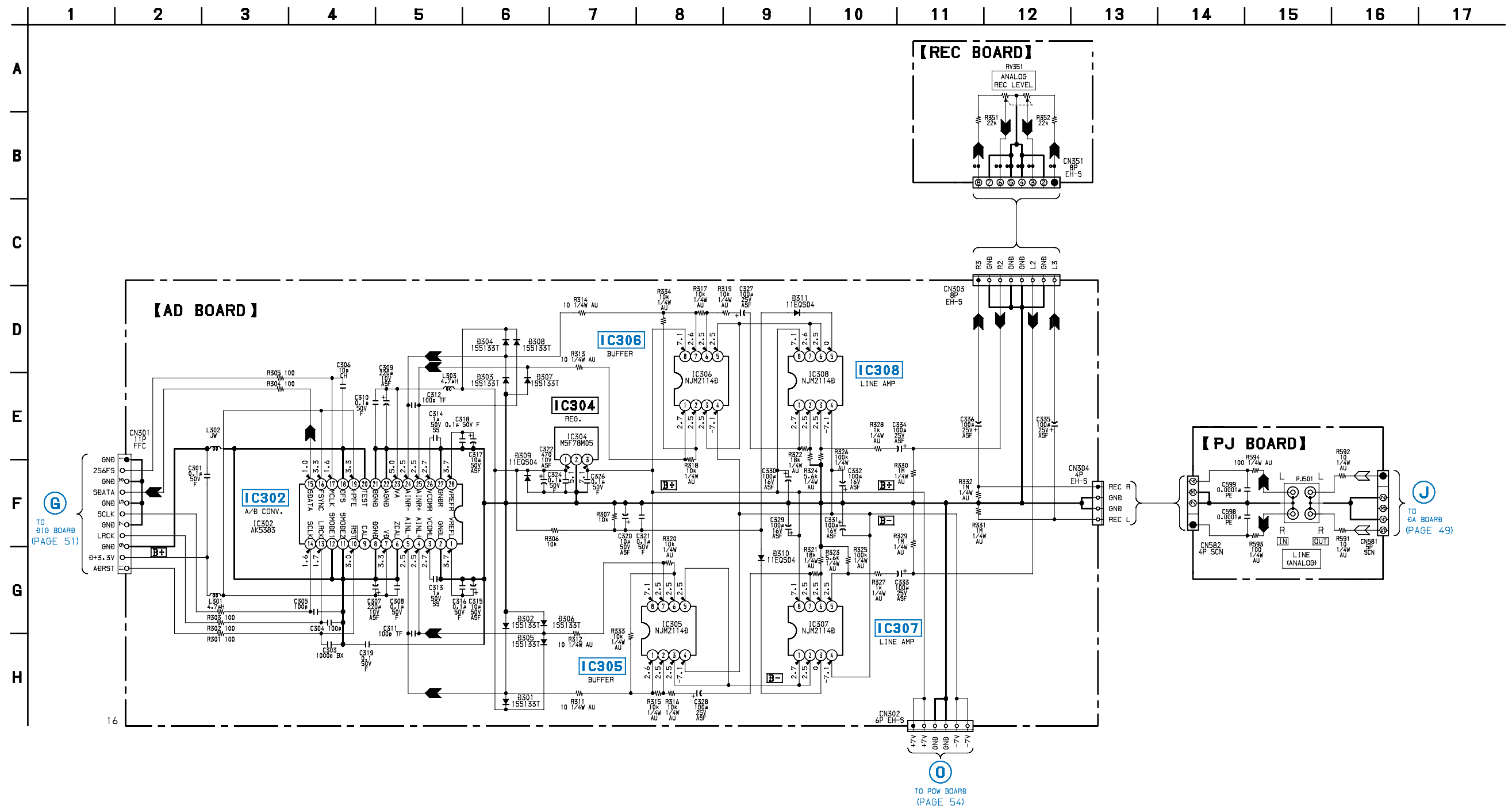
【REC BOARD】(SIDE A)



【REC BOARD】(SIDE B)



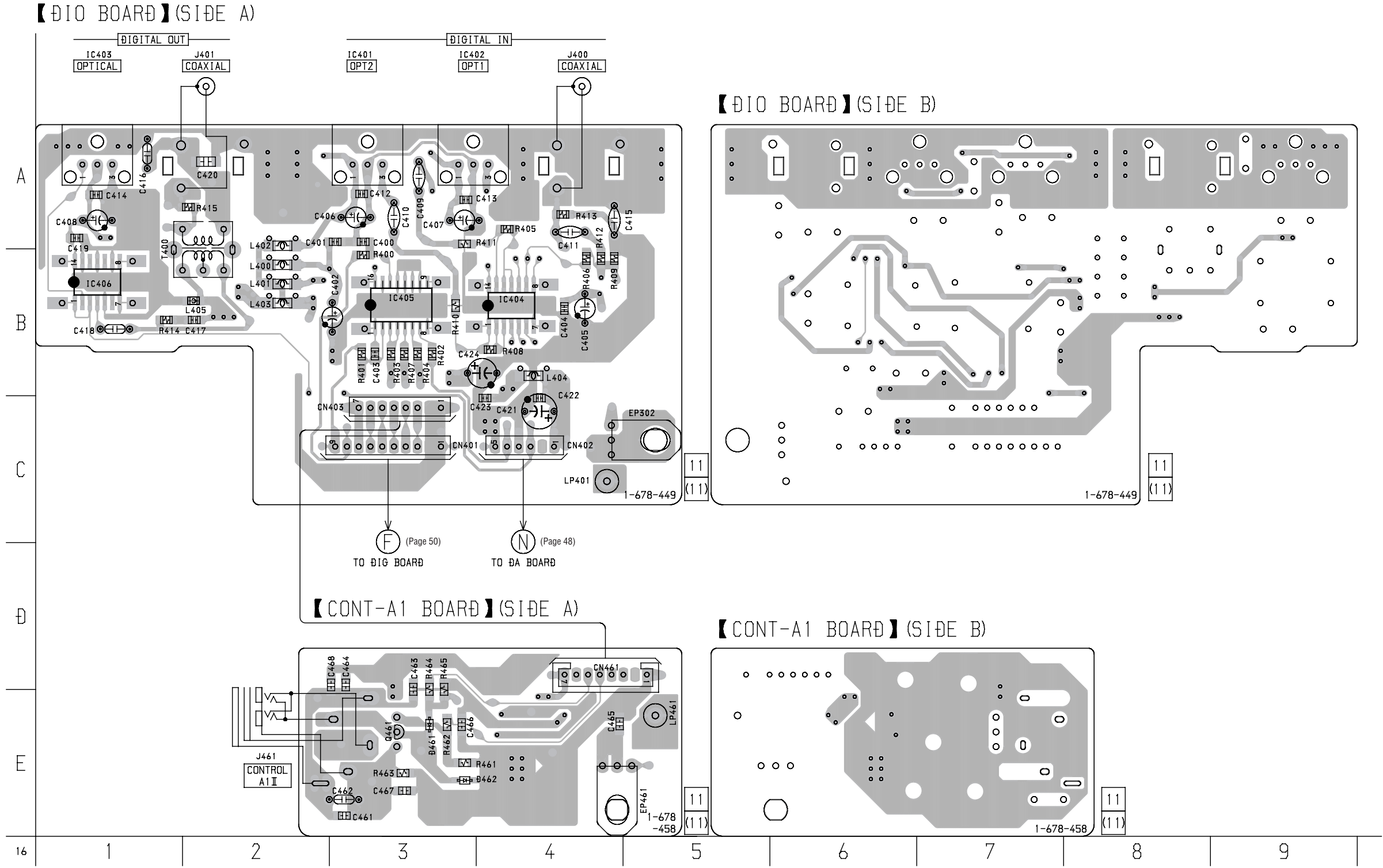
6-9. SCHEMATIC DIAGRAM AD SECTION • Refer to page 39 for Note on Schematic Diagrams. • Refer to page 64 for IC Block Diagrams.



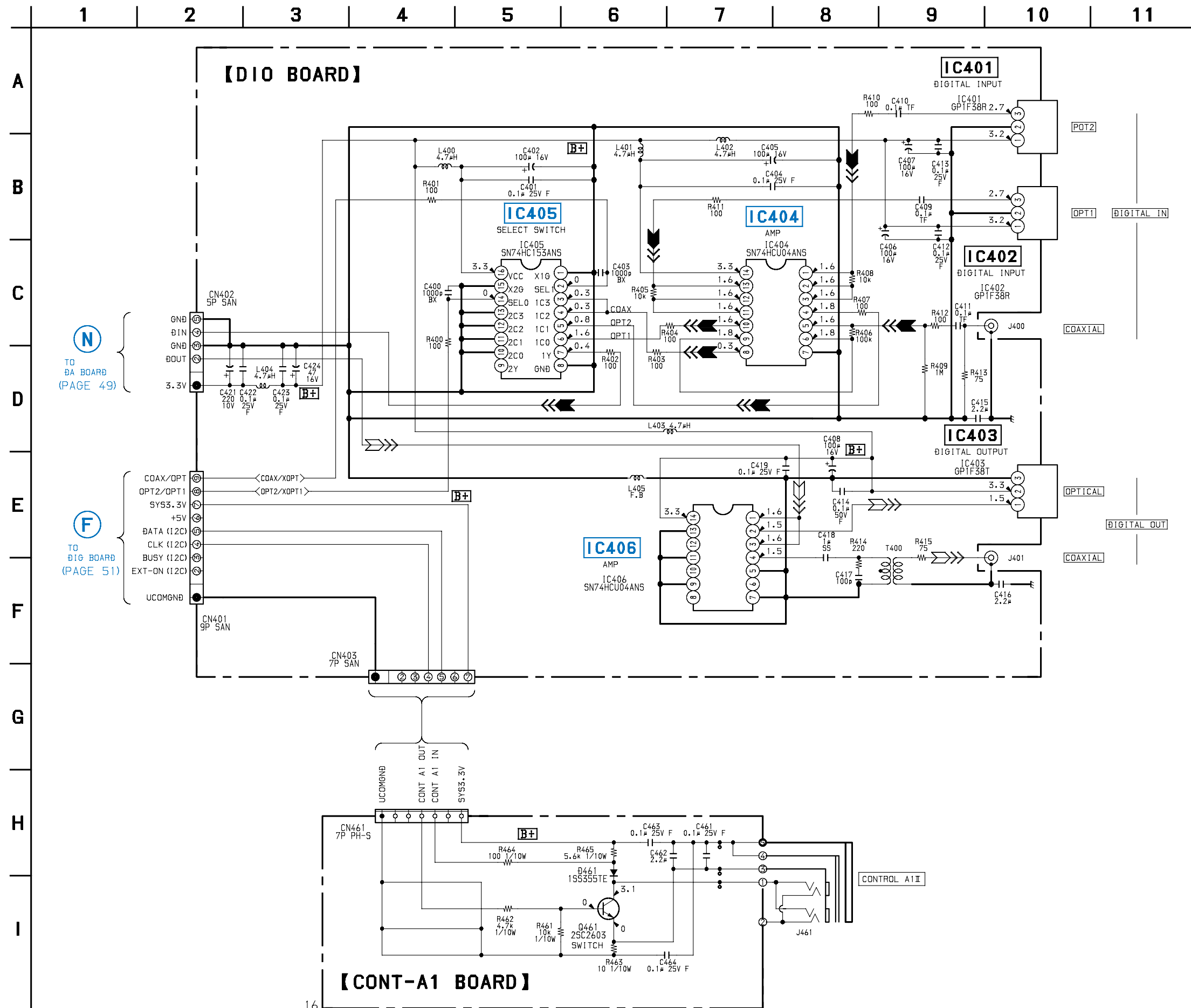
There are few cases that the part printed on this diagram isn't mounted in this model.

• Semiconductor Location

Ref. No.	Location
IC401	A-3
IC402	A-3
IC403	A-1
IC404	B-4
IC405	B-3
IC406	B-1



6-11. SCHEMATIC DIAGRAM DIO SECTION • Refer to page 39 for Note on Schematic Diagrams. • Refer to page 63 for IC Block Diagrams.

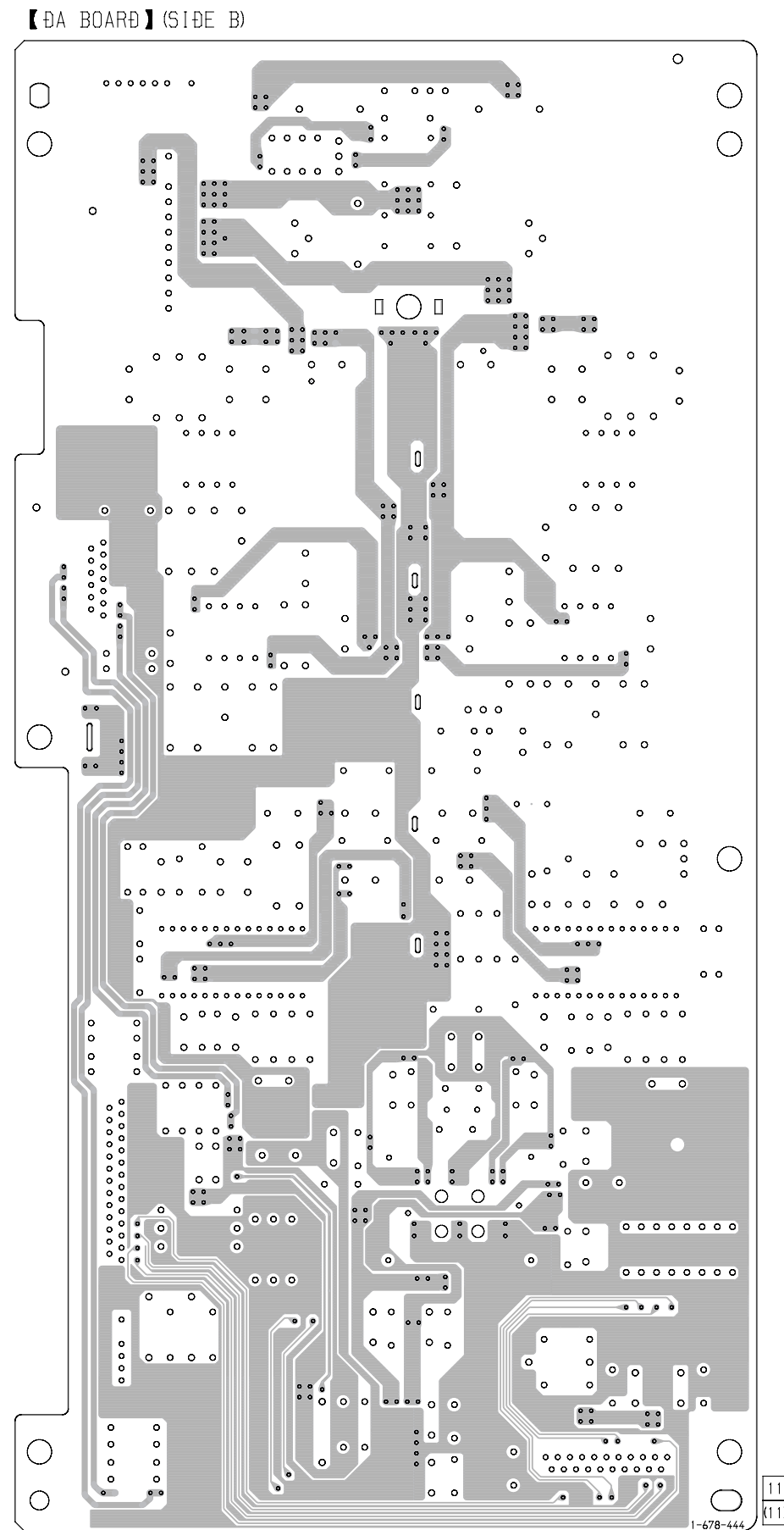
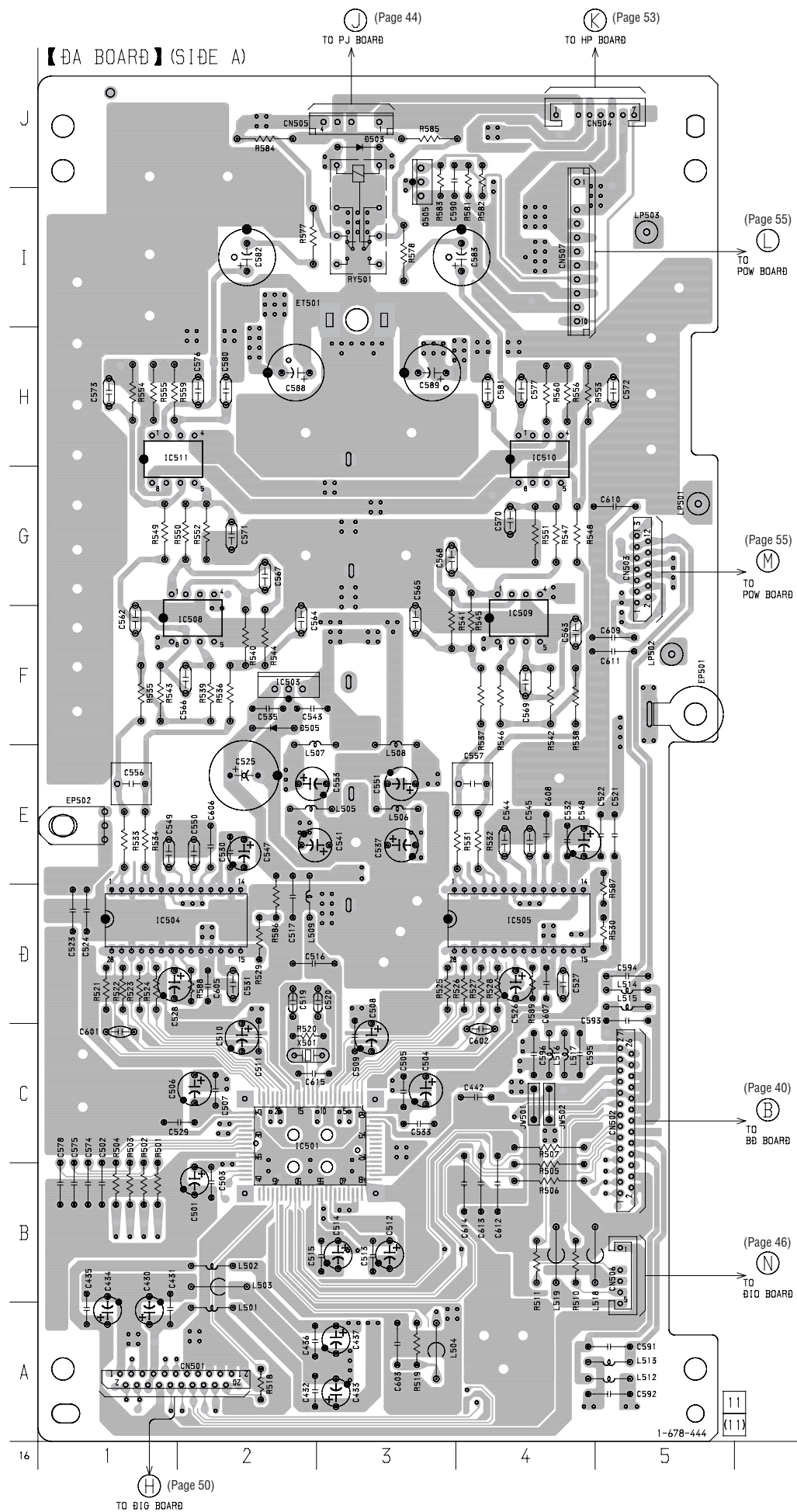


6-12. PRINTED WIRING BOARD DA SECTION • Refer to page 39 for Note on Printed Wiring Boards. • Refer to page 39 for Circuit Board Location.

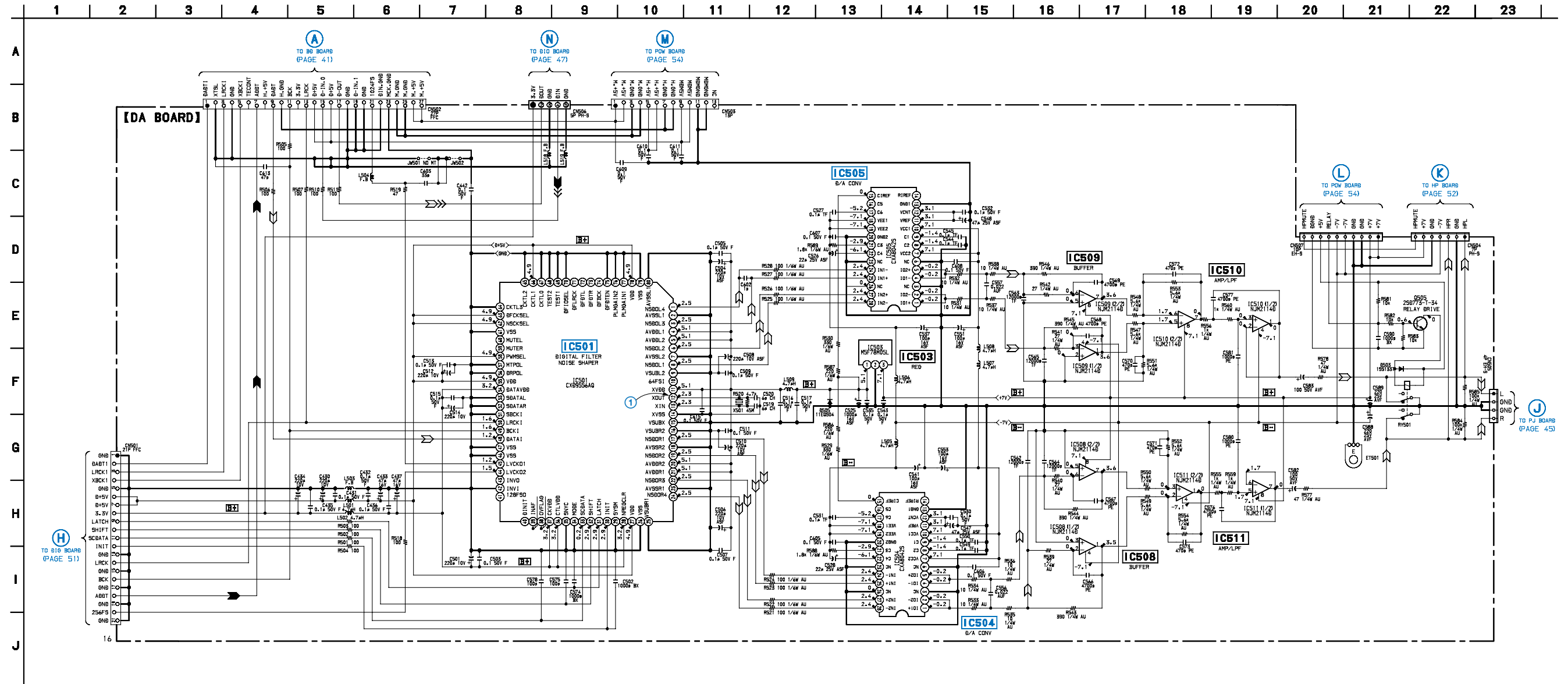
There are few cases that the part printed on this diagram isn't mounted in this model.

• Semiconductor Location

Ref. No.	Location
D503	J-3
D505	F-2
IC501	C-2
IC503	F-2
IC504	D-1
IC505	D-4
IC508	F-2
IC509	F-4
IC510	H-4
IC511	H-1
Q505	I-3

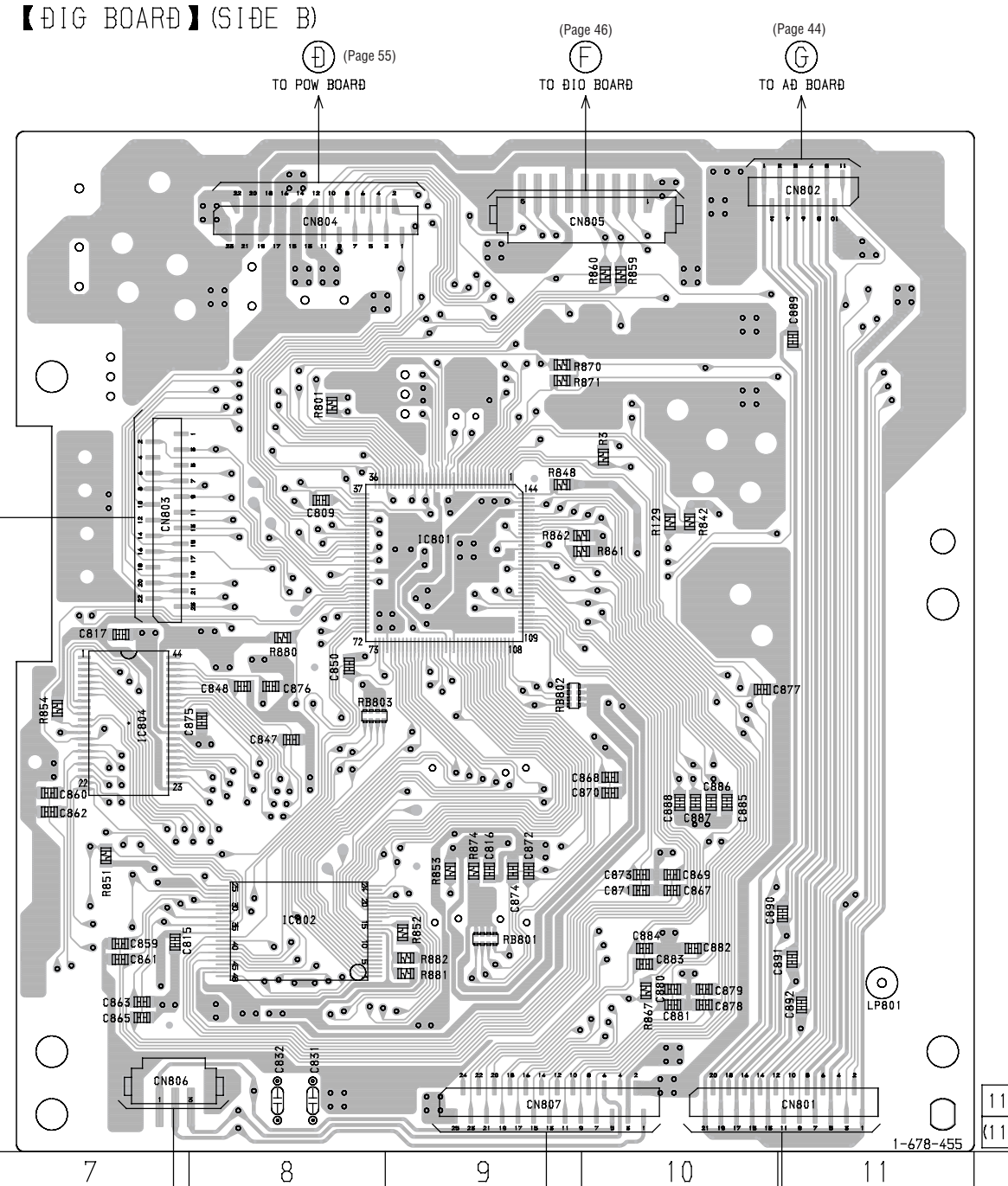
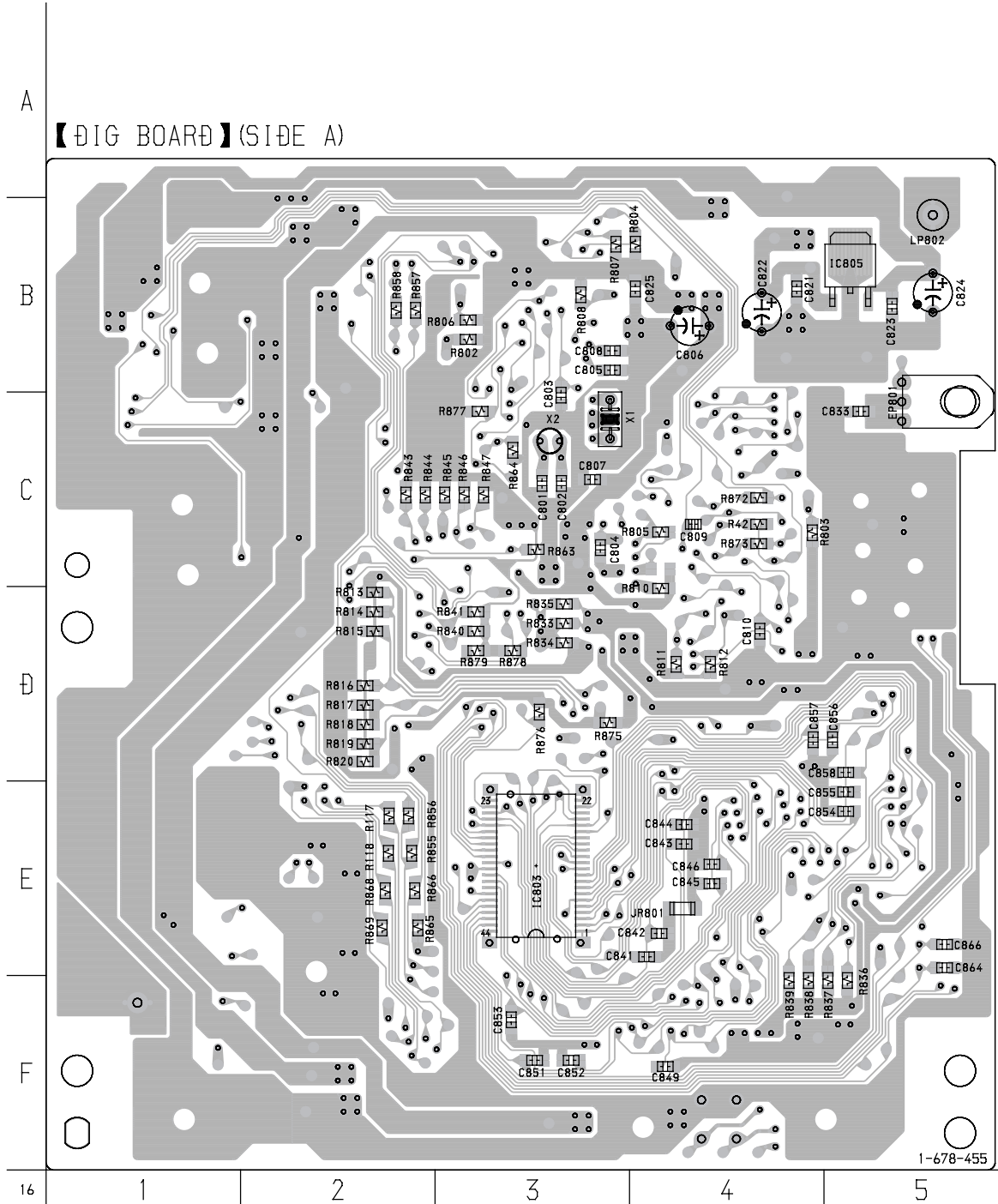


6-13. SCHEMATIC DIAGRAM DA SECTION • Refer to page 39 for Note on Schematic Diagrams. • Refer to page 60 for Waveform.



6-14. PRINTED WIRING BOARD DIGITAL SECTION • Refer to page 39 for Note on Printed Wiring Boards. • Refer to page 39 for Circuit Board Location.

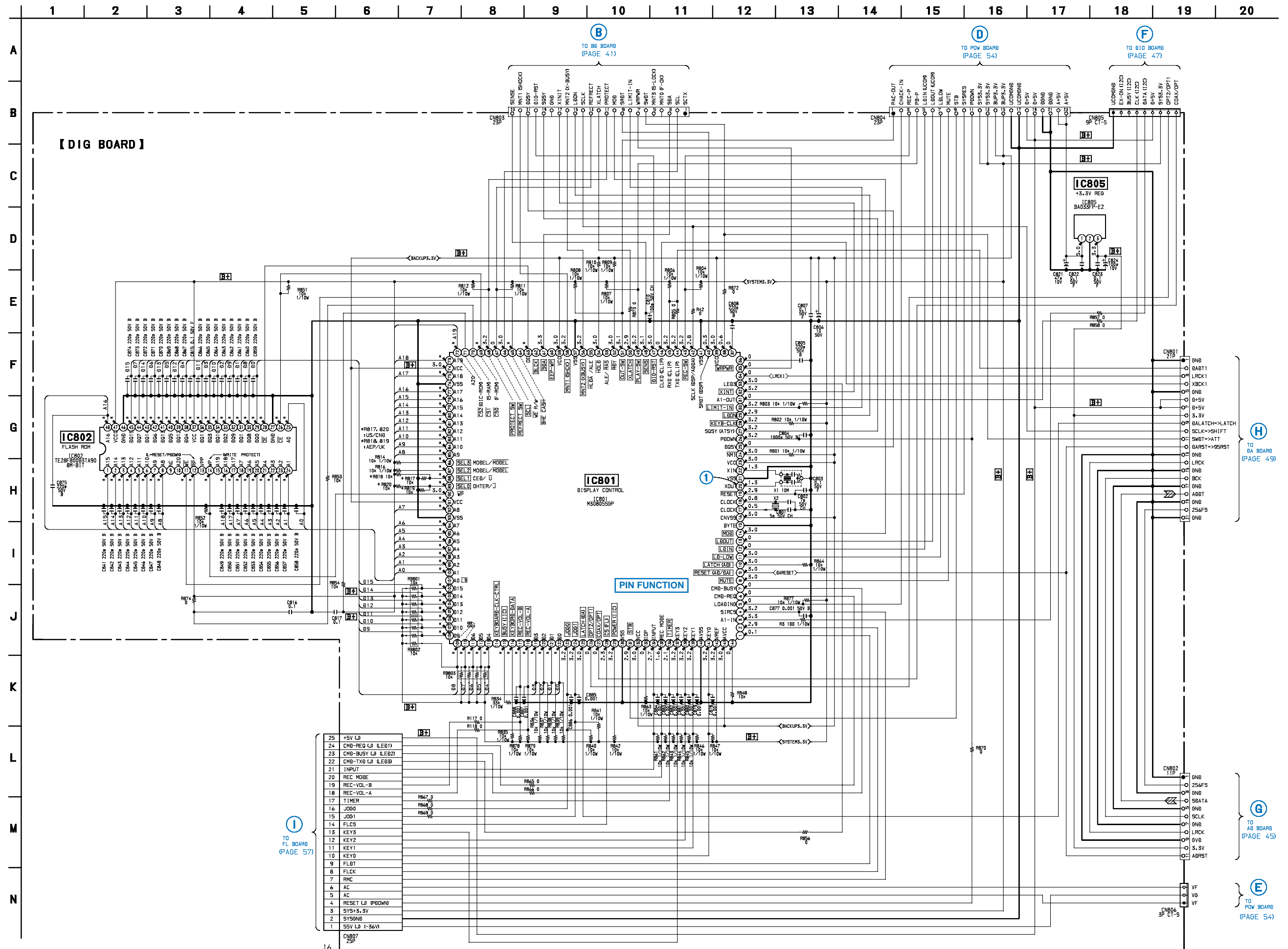
There are few cases that the part printed on this diagram isn't mounted in this model.



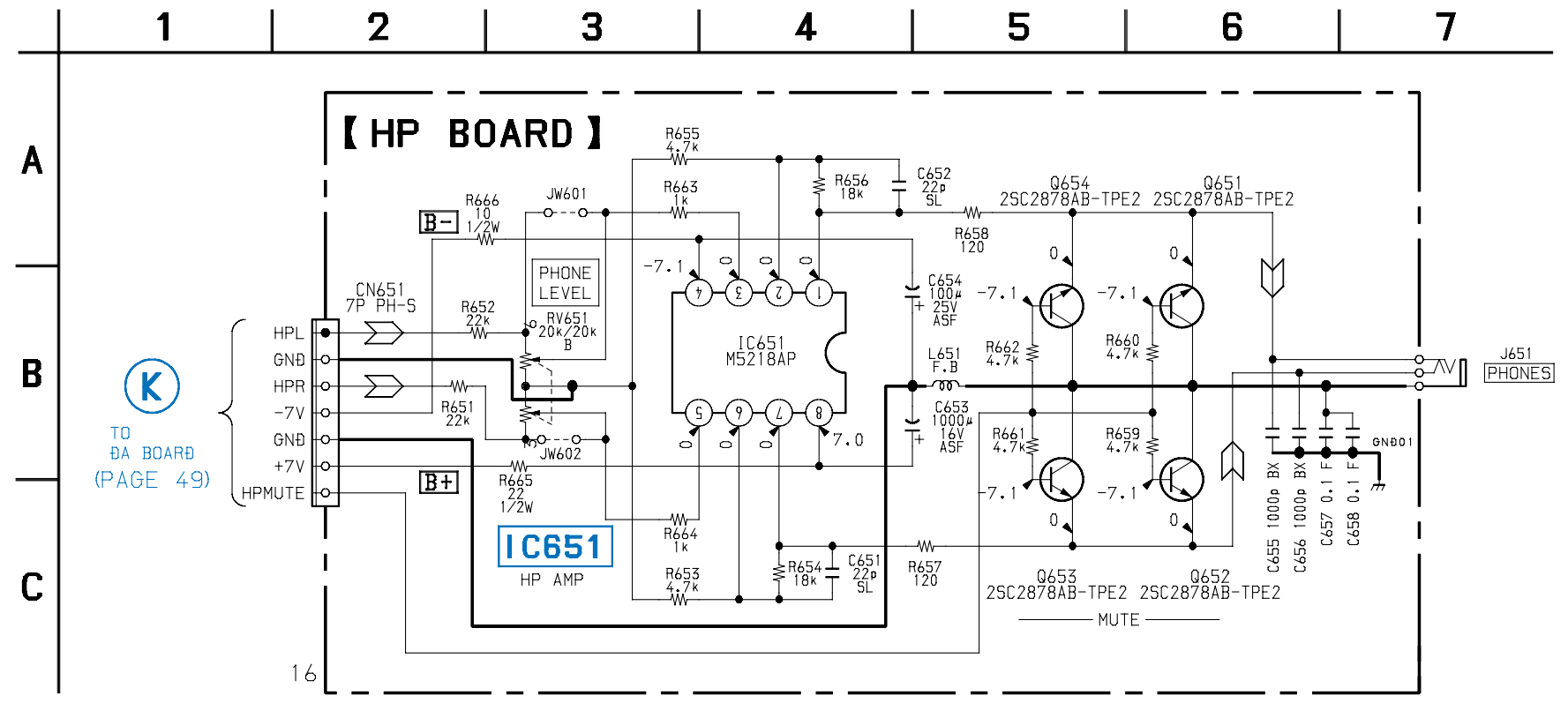
• Semiconductor Location

Ref. No.	Location
IC801	C-9
IC802	E-8
IC805	B-5

6-15. SCHEMATIC DIAGRAM DIGITAL SECTION • Refer to page 39 for Note on Schematic Diagrams. • Refer to page 60 for Waveform. • Refer to page 70 for IC Pin Function.



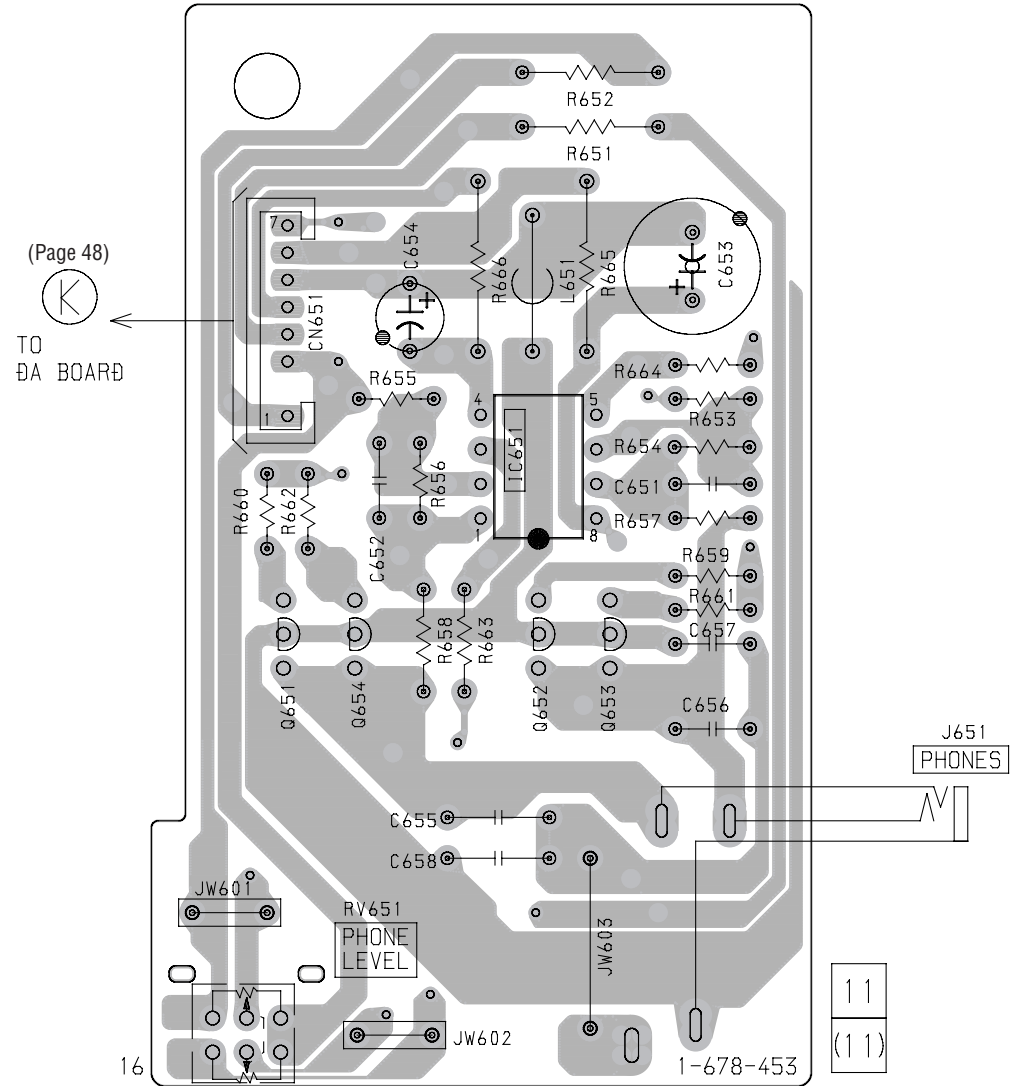
6-16. SCHEMATIC DIAGRAM HP SECTION • Refer to page 39 for Note on Schematic Diagrams. • Refer to page 63 for IC Block Diagrams.



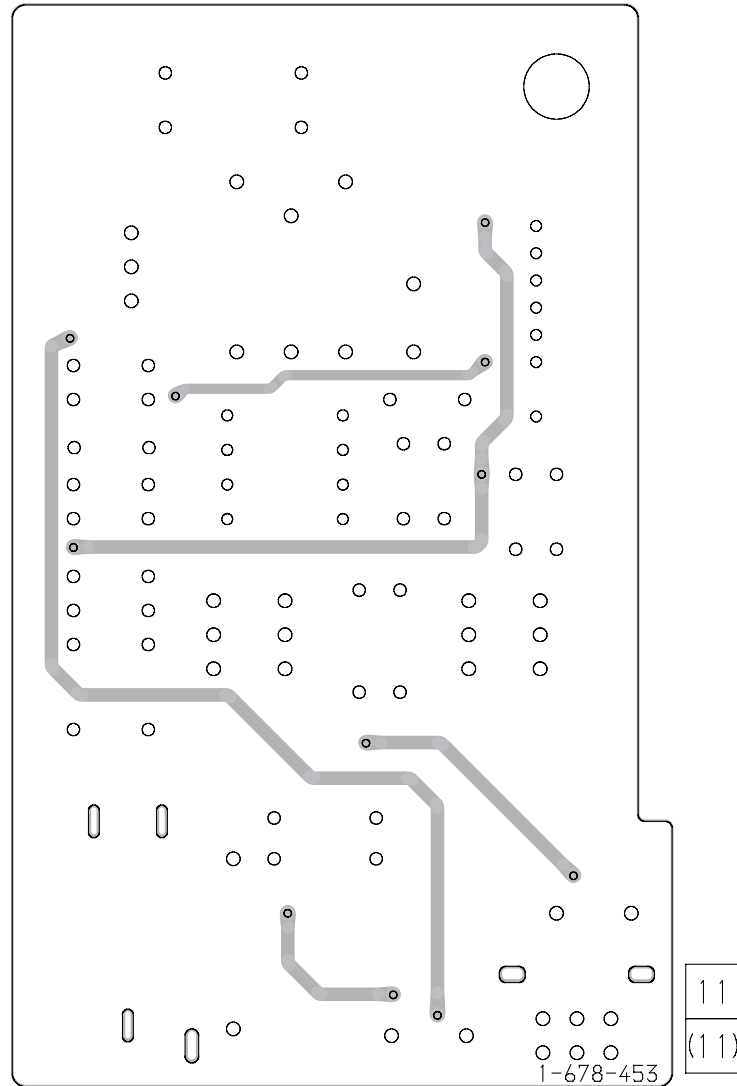
6-17. PRINTED WIRING BOARD HP SECTION • Refer to page 39 for Note on Printed Wiring Boards. • Refer to page 39 for Circuit Board Location.

There are few cases that the part printed on this diagram isn't mounted in this model.

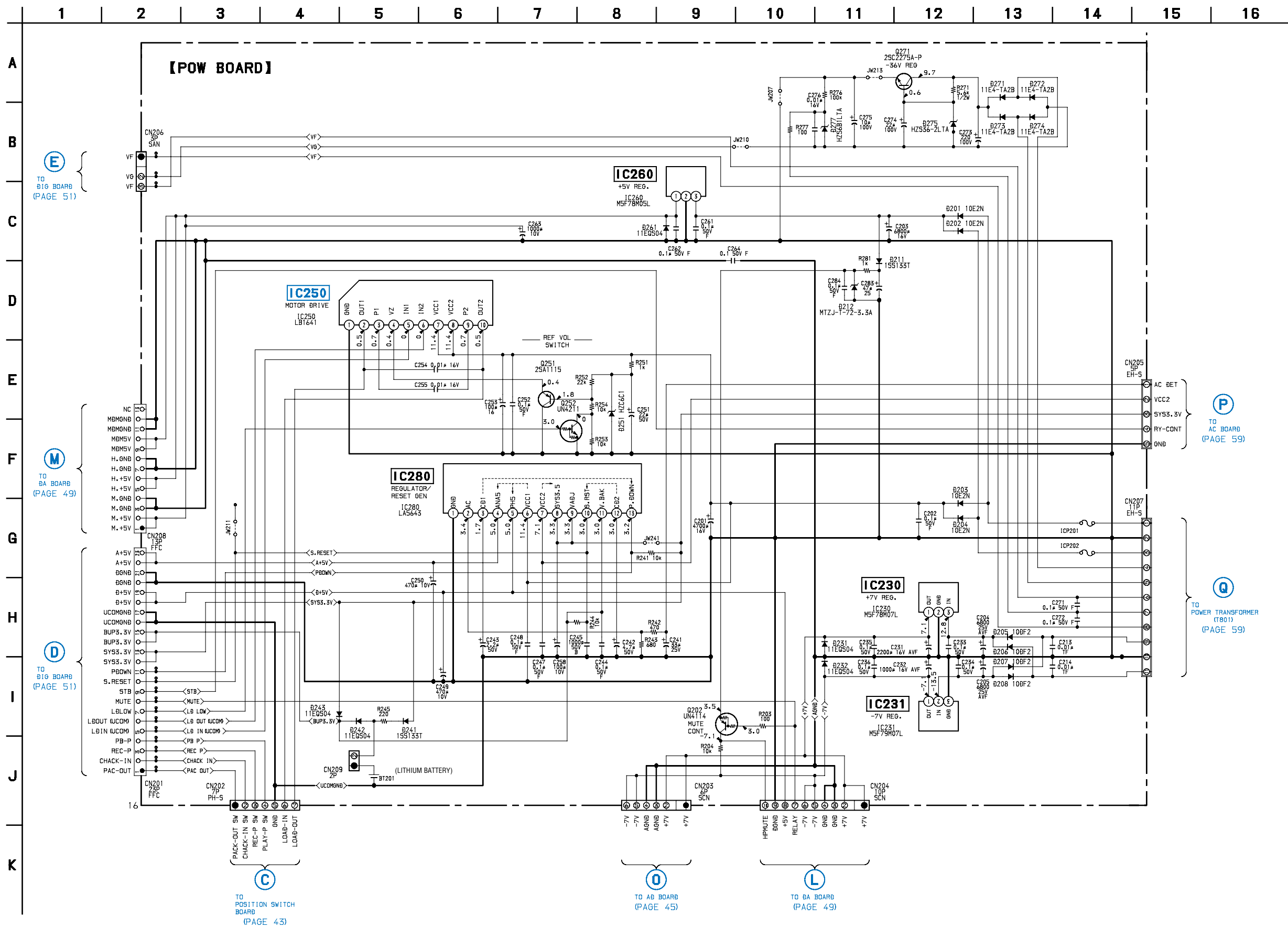
【HP BOARD】(SIDE A)



【HP BOARD】(SIDE B)



6-18. SCHEMATIC DIAGRAM POWER SECTION • Refer to page 39 for Note on Schematic Diagrams. • Refer to page 65 for IC Block Diagram.

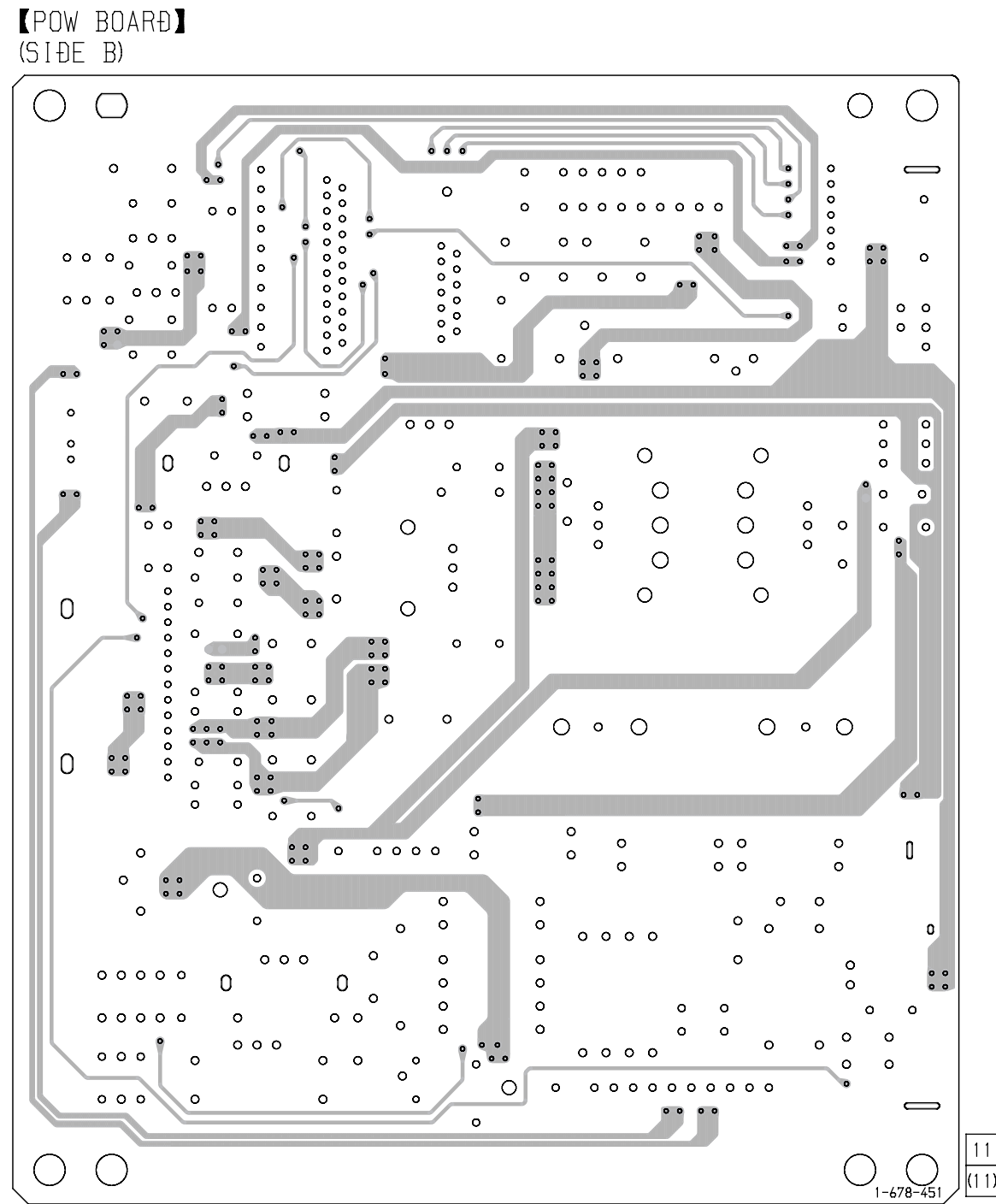
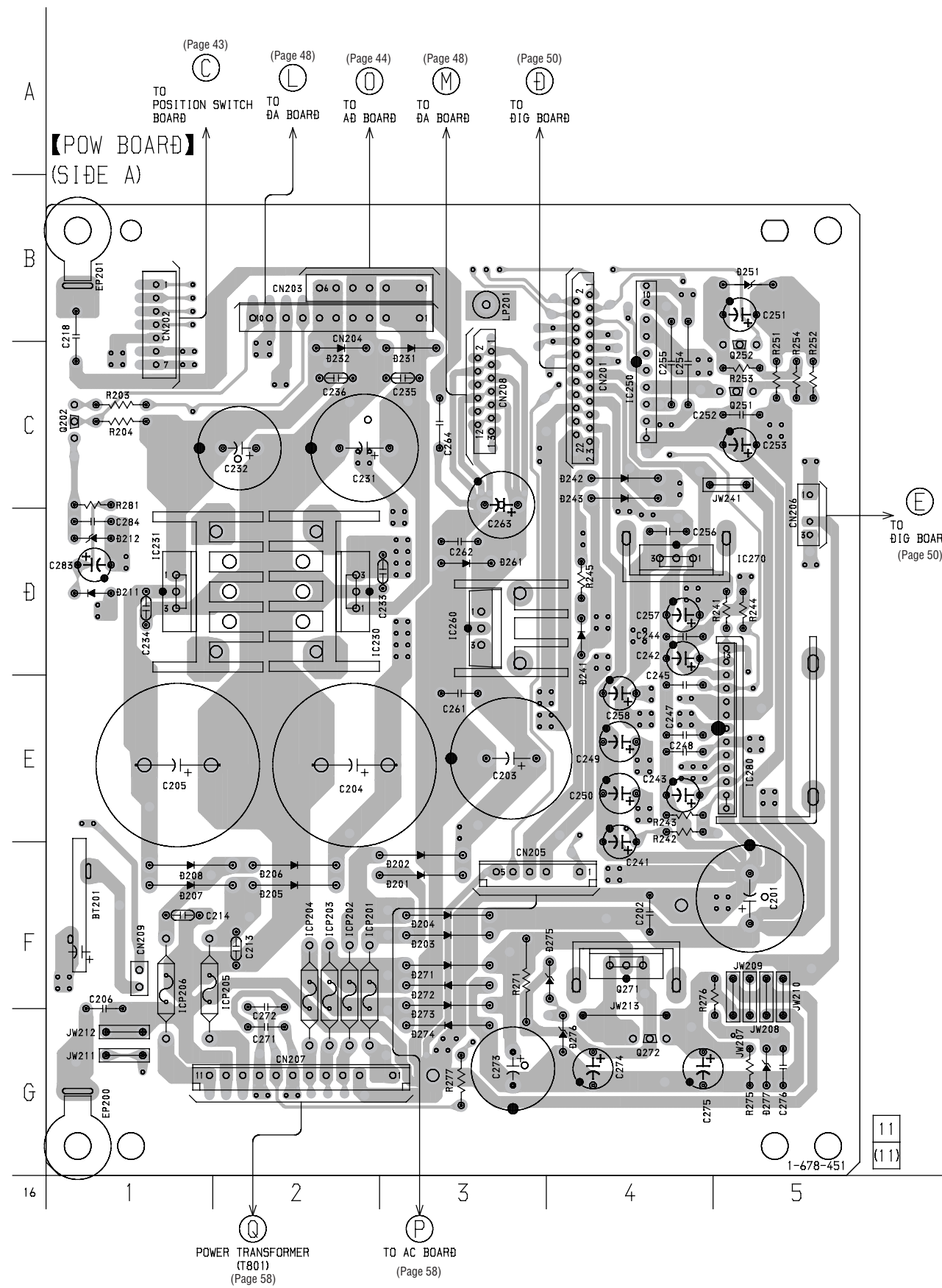


The components identified by mark Δ or dotted line with mark Δ are critical for safety. Replace only with part number specified.

Les composants identifiés par une marque Δ sont critiques pour la sécurité. Ne les remplacer que par une pièce portant le numéro spécifié.

6-19. PRINTED WIRING BOARD POWER SECTION • Refer to page 39 for Note on Printed Wiring Boards.

There are few cases that the part printed on this diagram isn't mounted in this model.

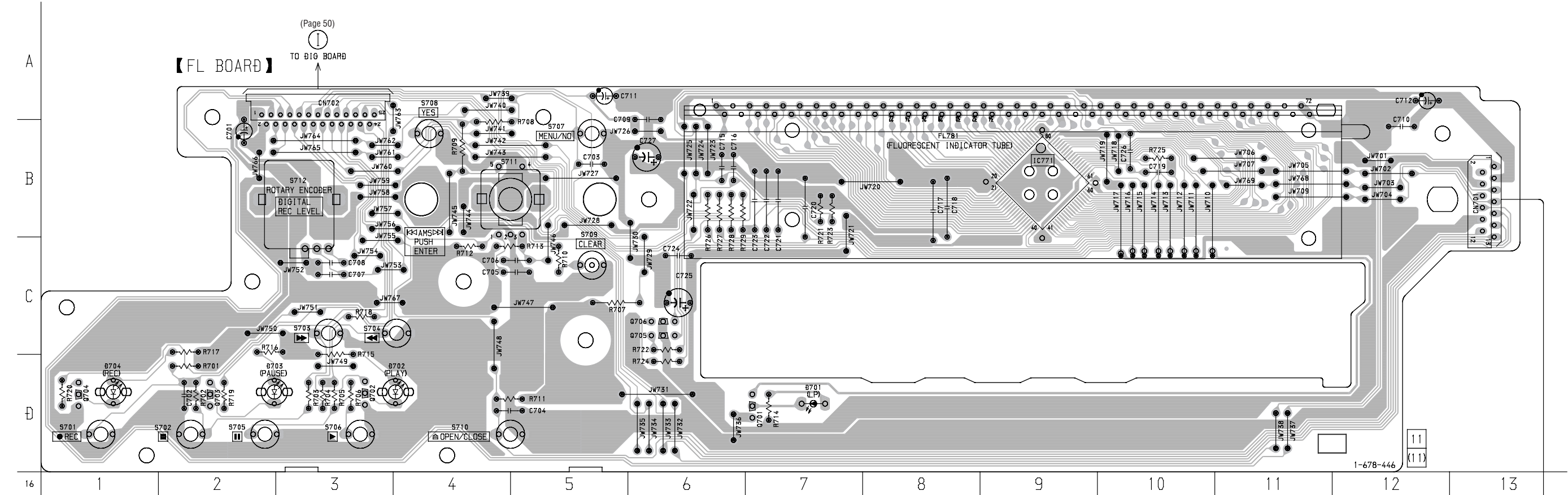


• Semiconductor Location

Ref. No.	Location
D201	F-3
D202	F-3
D203	F-3
D204	F-3
D205	F-2
D206	F-2
D207	F-1
D208	F-1
D211	D-1
D212	D-1
D231	C-3
D232	C-2
D241	D-4
D242	C-4
D243	C-4
D251	B-5
D261	D-3
D271	F-3
D272	F-3
D273	F-3
D274	G-3
D275	F-4
D277	G-5
IC230	D-2
IC231	D-1
IC250	C-4
IC260	D-3
IC280	E-5
Q202	C-1
Q251	C-5
Q252	B-5
Q271	F-4

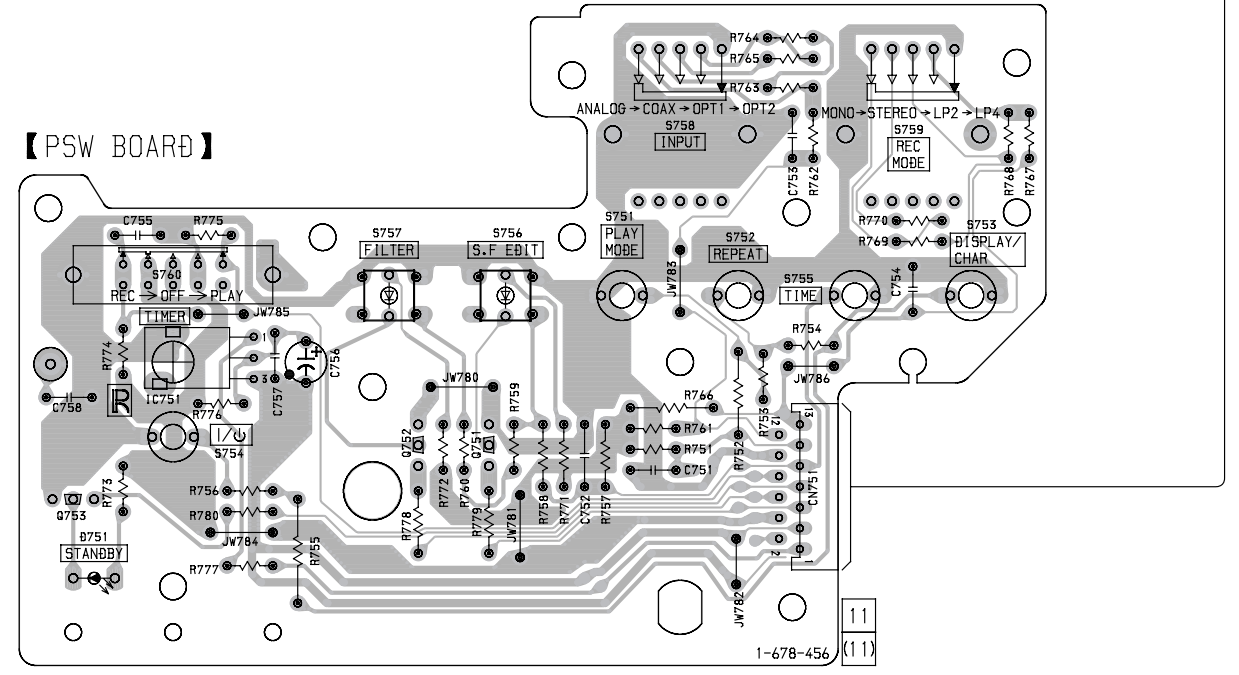
6-20. PRINTED WIRING BOARD PANEL SECTION • Refer to page 39 for Note on Printed Wiring Boards. • Refer to page 39 for Circuit Board Location.

There are few cases that the part printed on this diagram isn't mounted in this model.

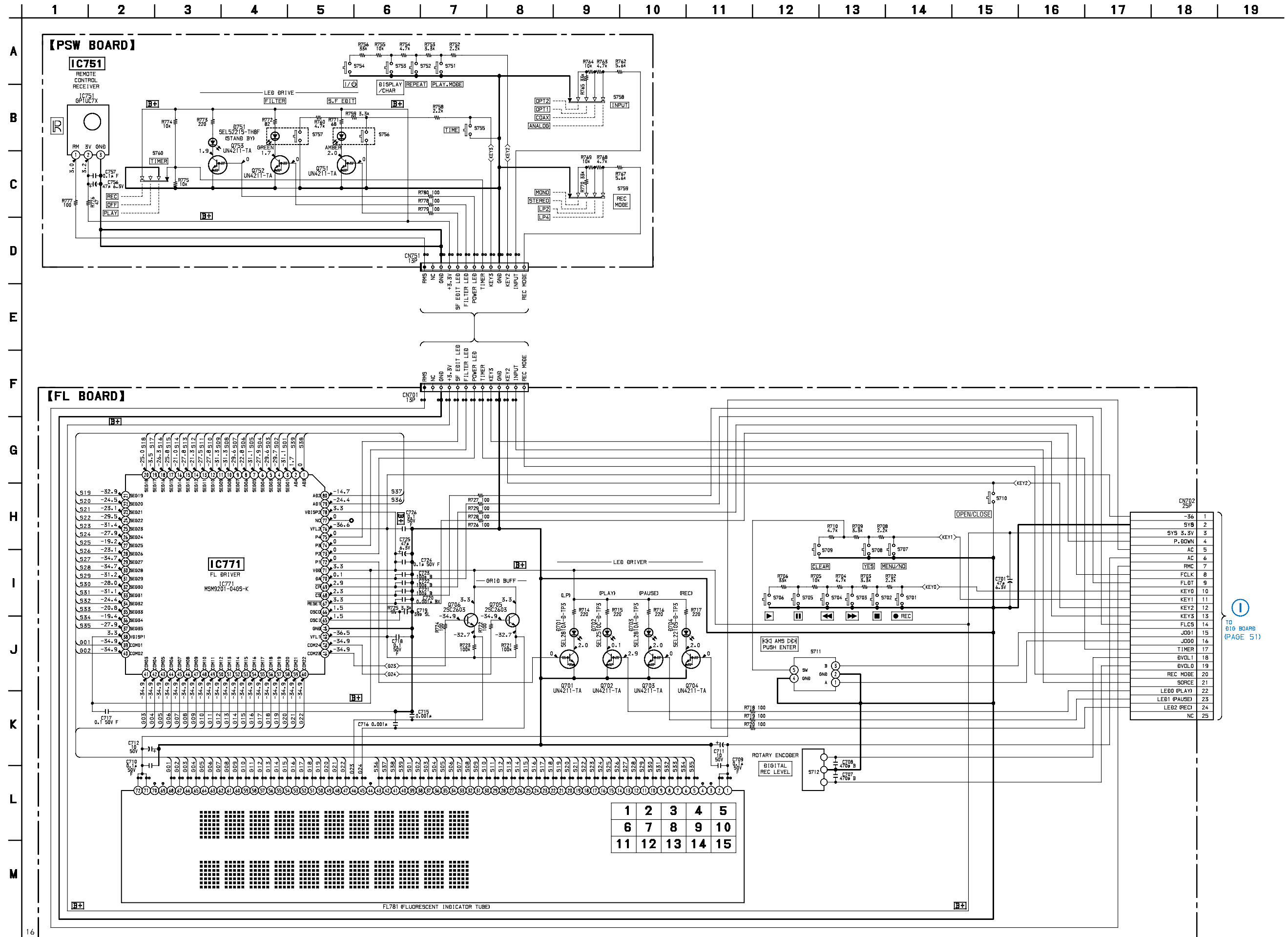


• Semiconductor Location

Ref. No.	Location
D701	D-7
D702	D-3
D703	D-2
D704	D-1
IC771	B-9
Q701	D-7
Q702	D-3
Q703	D-2
Q704	D-1
Q705	C-6
Q706	C-6



6-21. SCHEMATIC DIAGRAM PANEL SECTION • Refer to page 39 for Note on Schematic Diagrams.

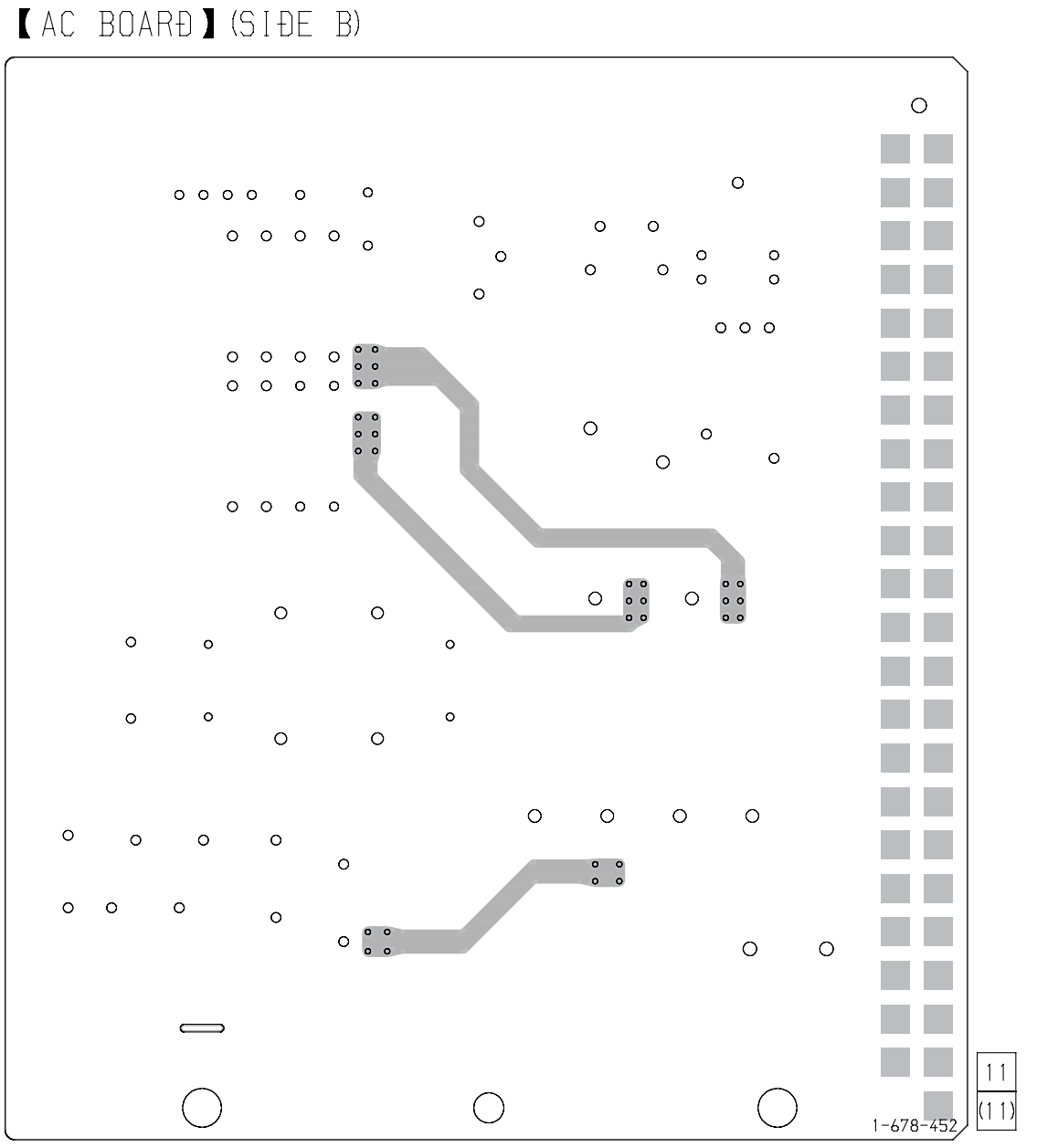
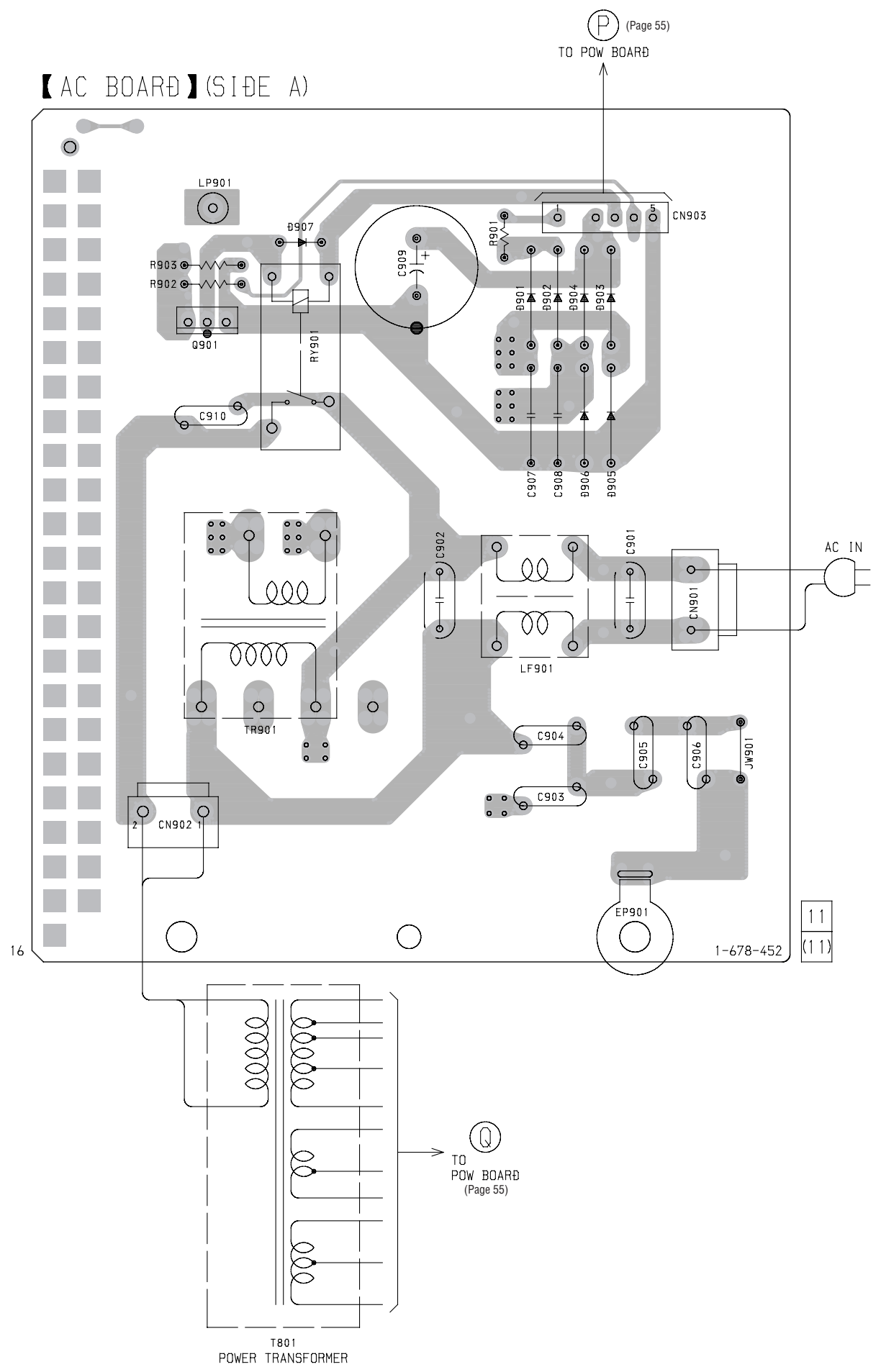


TO B19 BOARD (PAGE 51)

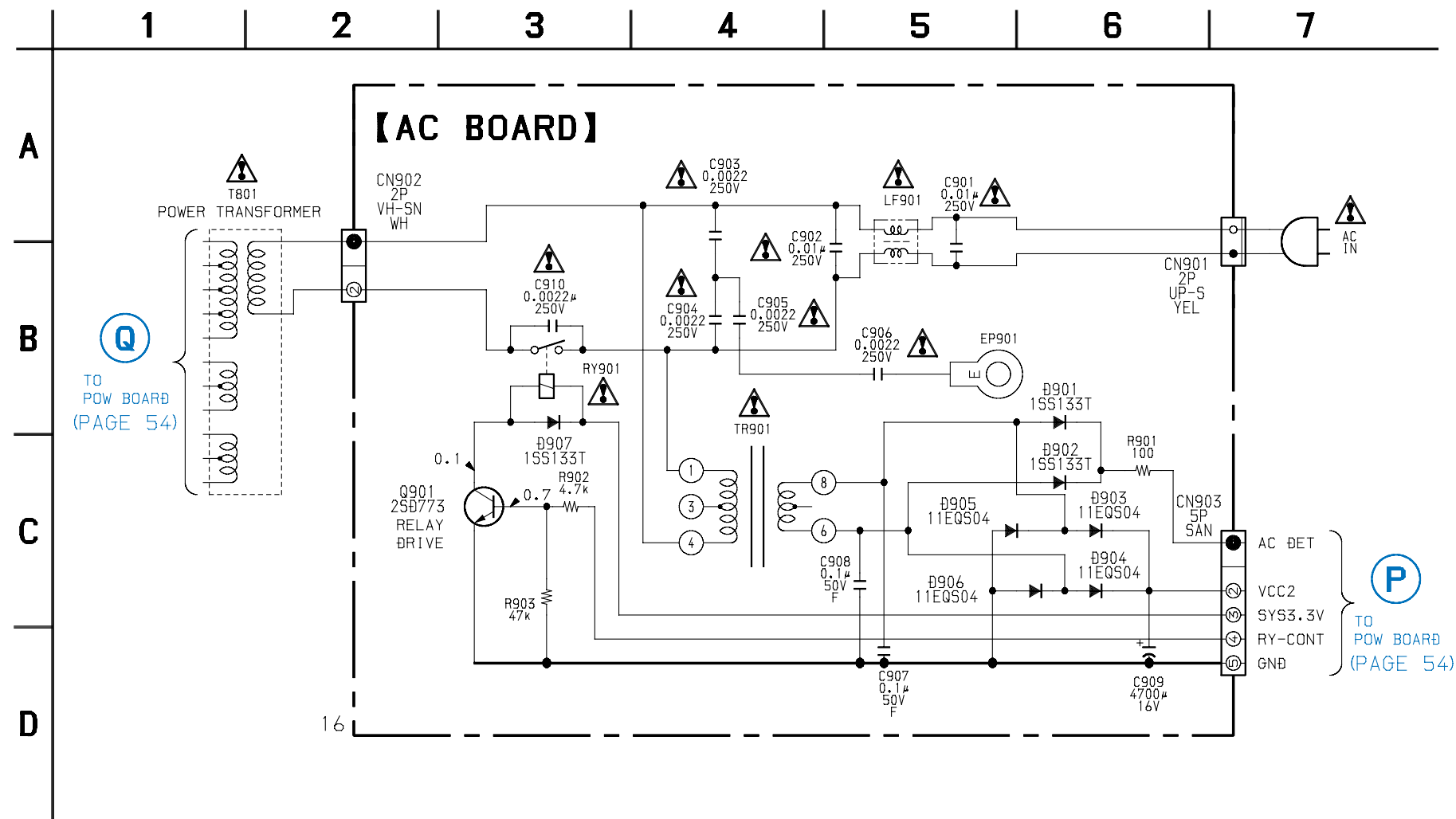
1	2	3	4	5
6	7	8	9	10
11	12	13	14	15

6-22. PRINTED WIRING BOARD AC SECTION • Refer to page 39 for Note on Printed Wiring Boards. • Refer to page 39 for Circuit Board Location.

There are few cases that the part printed on this diagram isn't mounted in this model.



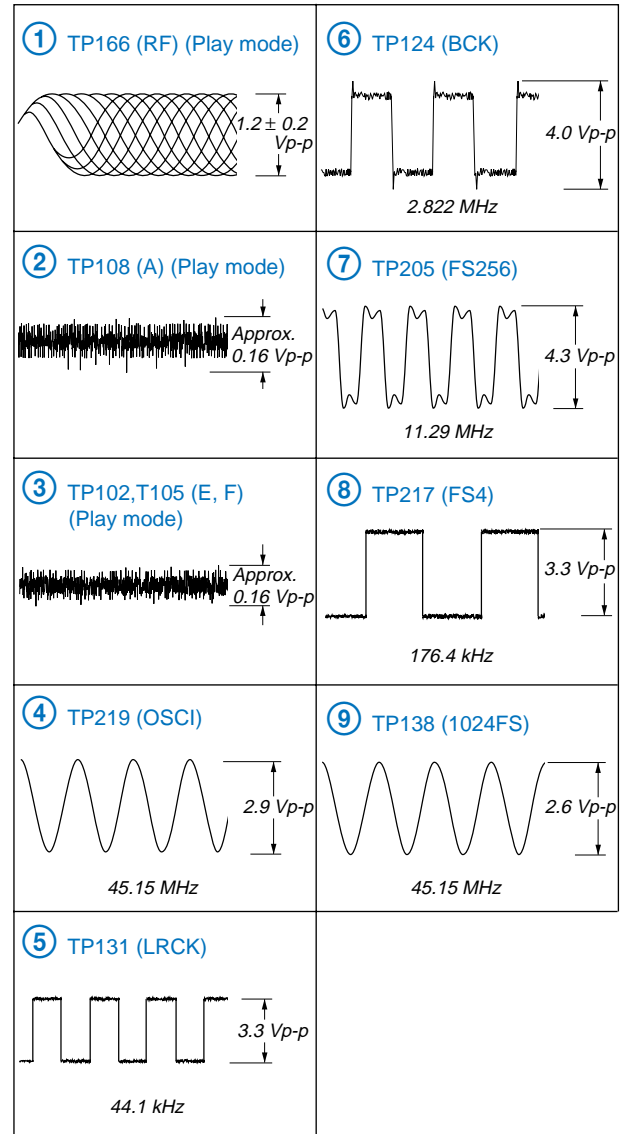
6-23. SCHEMATIC DIAGRAM AC SECTION • Refer to page 39 for Note on Schematic Diagrams.



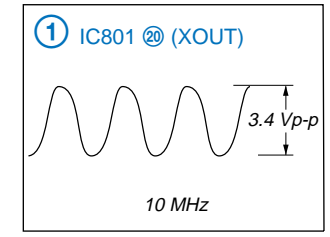
<p>The components identified by mark \triangle or dotted line with mark \triangle are critical for safety. Replace only with part number specified.</p>	<p>Les composants identifiés par une marque \triangle sont critiques pour la sécurité. Ne les remplacer que par une pièce portant le numéro spécifié.</p>
-----------------------------------------------------------------------------------------------------------------------------------------------------------------------------------	------------------------------------------------------------------------------------------------------------------------------------------------------------------------

• Waveforms

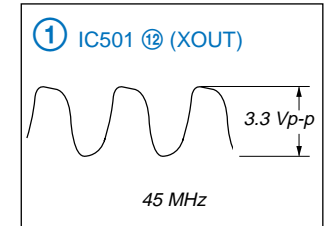
BD SECTION



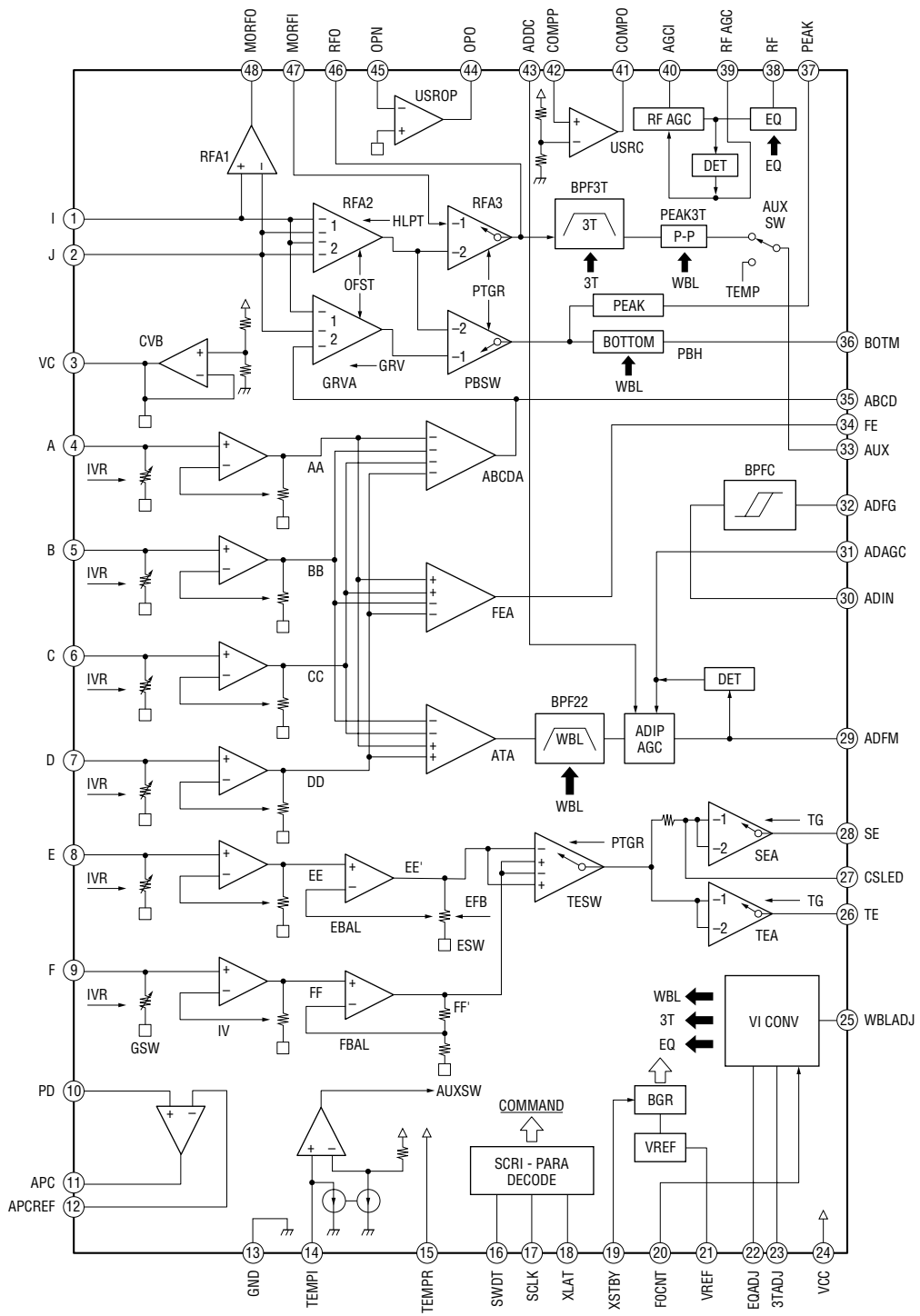
DIG SECTION



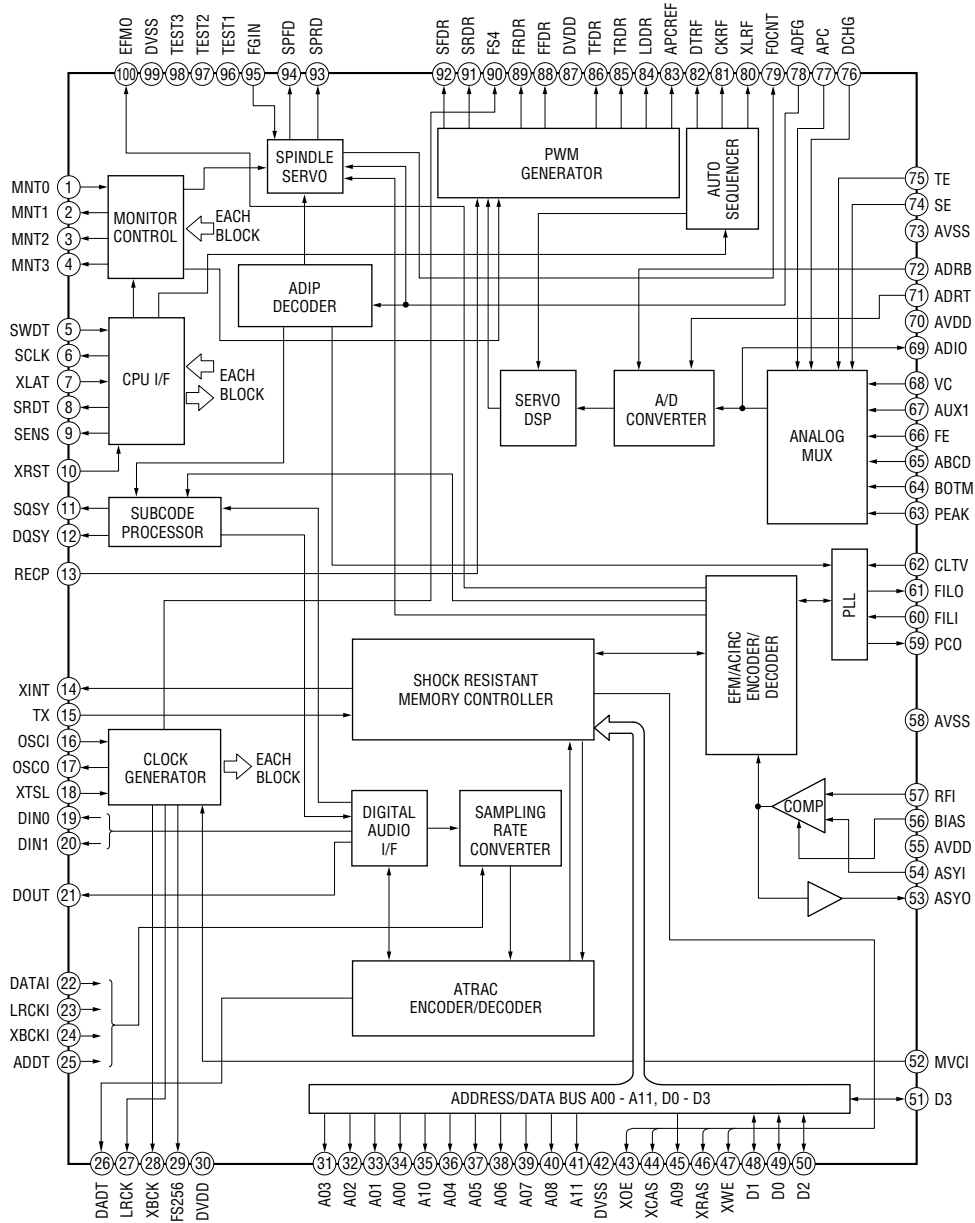
DA SECTION



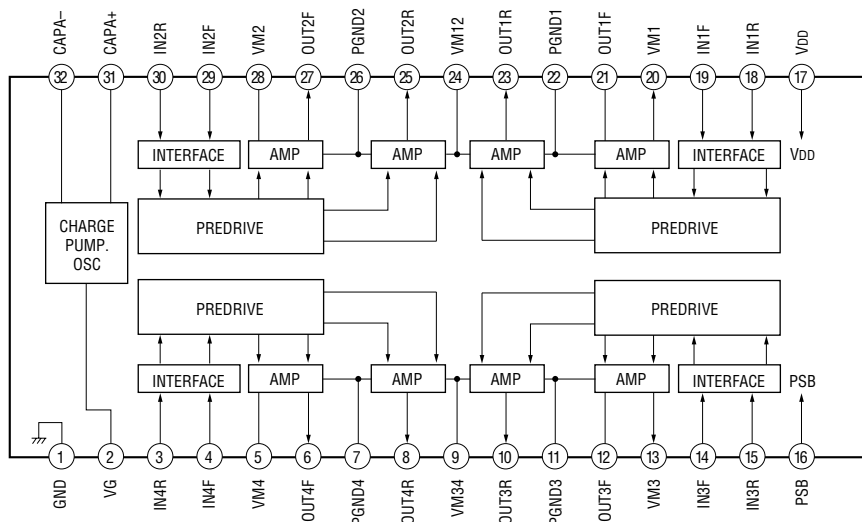
6-22. IC BLOCK DIAGRAMS
IC101 CXA2523AR (BD BOARD)



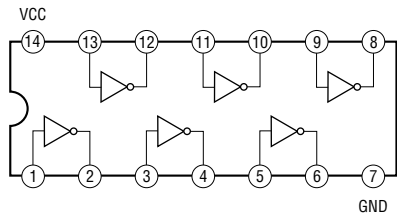
IC121 CXD2662R (BD BOARD)



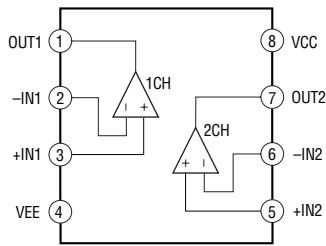
IC152 BH6511FS (BD BOARD)



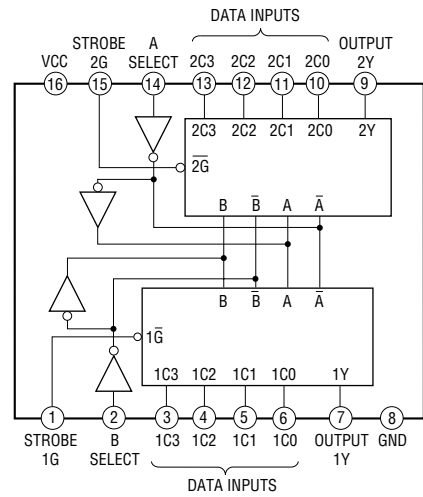
IC404,406 SN74HCU04ANS-E05 (DIO BOARD)



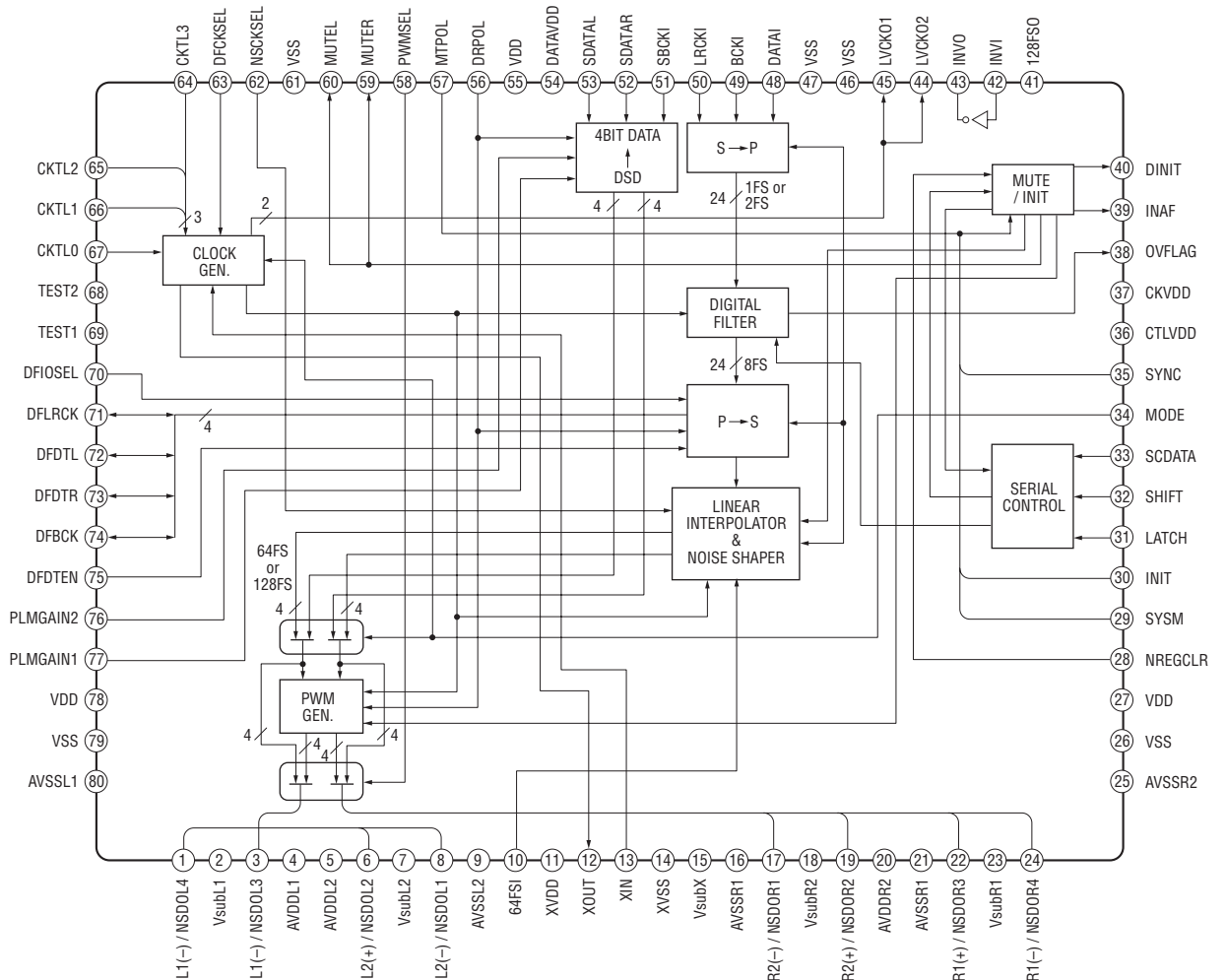
IC651 M5218AP (HP BOARD)



IC405 SN74HC153ANS-E05 (DIO BOARD)

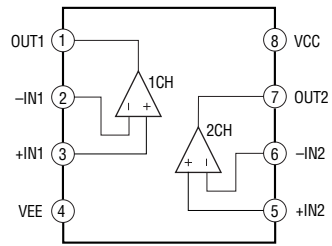
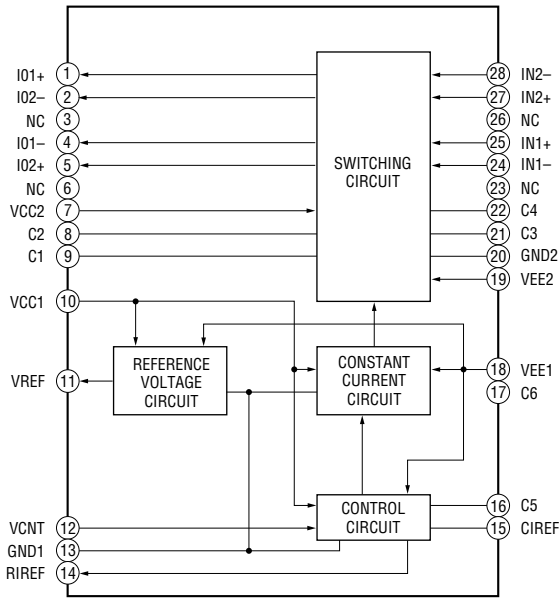


IC501 CXD9556AQ (DA BOARD)

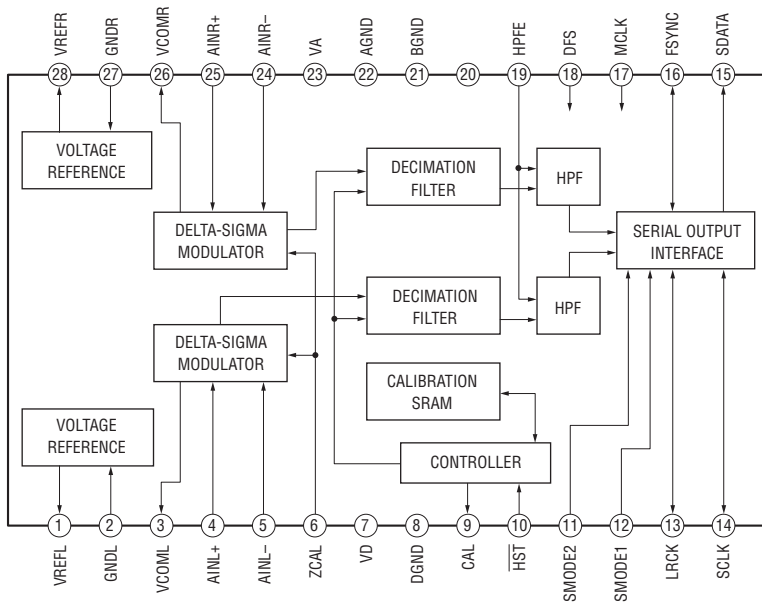


IC504,505 CXA8042AS (DA BOARD)

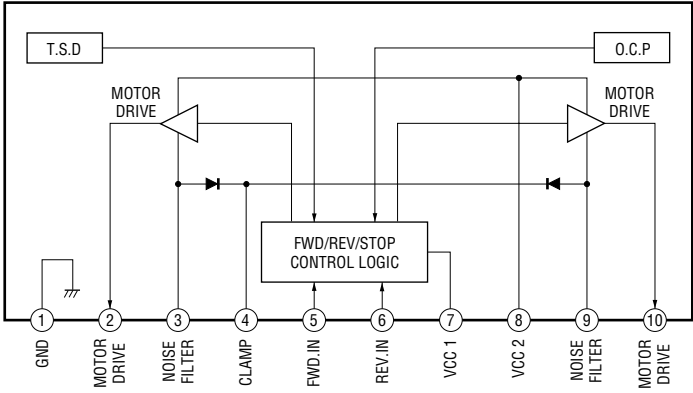
IC305,306,307,308 NJM2114D (AD BOARD)



IC302 AK5383VF (AD BOARD)



IC250 LB1641 (POW BOARD)



6-23. IC PIN FUNCTION DESCRIPTION

• BD BOARD IC101 CXA2523AR (RF AMPLIFIER, FOCUS/TRACKING ERROR AMPLIFIER)

Pin No.	Pin Name	I/O	Description
1	I	I	RF signal input (I) that is supplied from the optical pickup detector and has already been I-V converted
2	J	I	RF signal input (J) that is supplied from the optical pickup detector and has already been I-V converted
3	VC	O	Middle point voltage (+1.65 V) generation output
4 to 9	A to F	I	Signal input from optical pick-up detector (A to F)
10	PD	I	Light amount monitor input from laser diode of optical pick-up
11	APC	O	Laser amplifier output to automatic power control circuit
12	APCREF	I	Reference voltage input for setting laser power from CXD2662R (IC121)
13	GND	—	Ground
14	TEMPI	I	Temperature sensor connection pin
15	TEMPR	O	Reference voltage output for temperature sensor
16	SWDT	I	Write data signal input from CXD2662R (IC121)
17	SCLK	I	Serial clock signal input from CXD2662R (IC121)
18	XLAT	I	Serial latch signal input from CXD2662R (IC121)
19	XSTBY	I	Standby signal input
20	FOCNT	I	Control signal input of center frequency for internal circuit filter (BPF22, BPF3T, EQ) from CXD2662R (IC121)
21	VREF	O	Reference voltage output Not used in this system (Blank terminal)
22	EQADJ	I	Input pin for setting center frequency of internal circuit filter (EQ)
23	3TADJ	I	Input pin for setting center frequency of internal circuit filter (BPF3T)
24	VCC	—	Power supply (+33 V)
25	WBLADJ	I	Input pin for setting center frequency of internal circuit filter (BPF22)
26	TE	O	Tracking error signal output to CXD2662R (IC121)
27	CSLED	I	Connection pin of capacitor for low path filter of sled error
28	SE	O	Sled error signal output to CXD2662R (IC121)
29	ADFM	O	ADIP FM signal output
30	ADIN	I	Inputs ADIP FM signal by AC coupling
31	ADAGC	I	Connection pin of external capacitor for ADIP AGC
32	ADFG	O	ADIP dual FM signal output to CXD2662R (IC121) (2205 kHz \pm 1 kHz)
33	AUX	O	Auxiliary signal (I3 signal/temperature signal) output to CXD2662R (IC121)
34	FE	O	Focus error signal output to CXD2662R (IC121)
35	ABCD	O	Light amount signal (ABCD) output to CXD2662R (IC121)
36	BOTM	O	Bottom hold signal output of light amount signal (RF/ABCD) to CXD2662R (IC121)
37	PEAK	O	Peak hold signal output of light amount signal (RF/ABCD) to CXD2662R (IC121)
38	RF	O	Playback EFM RF signal output to CXD2662R (IC121)
39	RFAGC	I	Connection pin of RF AGC circuit external capacitor
40	AGCI	I	Inputs RF signal by AC coupling
41	COMPO	O	Output terminal to user's comparator. Not used. (Blank terminal)
42	COMPP	I	Inverted input terminal from user's comparator. Not used. (Fixed to "L")
43	ADDC	I	The terminal to which external capacitor to cut off low frequency range of the ADIP amplifier, is going to be connected.
44	OPO	O	Output terminal to user's operational amplifier. Not used. (Blank terminal)
45	OPN	I	Inverted input terminal from user's operational amplifier. Not used. (Fixed to "L")
46	RFO	O	Output pin of RF signal
47	MORFI	I	Inputs MO RF signal by AC coupling
48	MORFO	O	Output pin of MO RF signal

• **BD BOARD IC121 CXD2662R**

(DIGITAL SIGNAL PROCESSOR, DIGITAL SERVO SIGNAL PROCESSOR, EFM/ACIR ENCODER/DECODER, SHOCK-PROOF REMOTE CONTROLLER, ATRAC ENCODER/DECODER)

Pin No.	Pin Name	I/O	Description
1	MNT0 (FOK)	O	Focus OK signal output to system controller (IC801) Outputs "H" when focus is set ("L": NG)
2	MNT1 (SHOCK)	O	Track jump detection signal output to system controller (IC801)
3	MNT2 (XBUSY)	O	Busy monitor signal output to system controller (IC801)
4	MNT3	O	Spindle servo lock status monitoring signal output to system controller (IC801)
5	SWDT	I	Inputs write data signal from system controller (IC801)
6	SCLK	I (S)	Inputs serial clock signal from system controller (IC801)
7	XLAT	I (S)	Inputs serial latch signal from system controller (IC801)
8	SRDT	O (3)	Outputs read data signal to system controller (IC801)
9	SENS	O (3)	Outputs internal status (SENSE) signal to system controller (IC801)
10	$\overline{\text{XRST}}$	I (S)	Inputs reset signal input from system controller (IC801) "L": Reset
11	SQSY	O	Sub code Q sync (SCOR) output to system controller (IC801) Outputs "L" every 133 msec. Outputs "H" mostly
12	DQSY	O	Outputs digital-in U-bit CD format sub code Q sync (SCOR) to system controller (IC801) Outputs "L" every 133 msec. Outputs "H" mostly
13	RECP	I	Laser power switching signal input from system controller (IC801) "L": Playback, "H": Recording
14	XINT	O	Interrupt status output to system controller (IC801)
15	TX	I	Recording data output enable signal input from system controller (IC801). Transmission timing of the write signal is input. (Used also as ON/OFF of magnetic head)
16	OSCI	I	System clock (1024Fs = 451584 MHz) input
17	OSCO	O	System clock (1024Fs = 451584 MHz) output. Not used in this system (Blank terminal)
18	XTSL	I	System clock frequency setting input. "L": 451584 MHz, "H": 22.5792 kHz
19	DIN0	I	Recording system digital audio signal input (for digital optical -1/2 input and coaxial input)
20	DIN1	I	Recording system digital audio signal input. Not used (Fix at "L")
21	DOUT	O	Playback system digital audio signal output (for digital optical output and coaxial input)
22	DATAI	I	Serial data input Not used (Fix at "L")
23	LRCKI	I	L/R sampling clock signal input (44.1 kHz) Not used in this system (Fixed at "L")
24	XBCKI	I	Bit clock signal input of serial input/output (2.8224 kHz) Not used in this system (Fixed at "L")
25	ADDT	I	Recording data signal input from CXD9556AQ (IC501)
26	DADT	O	Playback data signal output from CXD9556AQ (IC501)
27	LRCK	O	L/R sampling clock signal output (44.1 kHz) to CXD9556AQ (IC501)
28	XBCK	O	Bit clock signal output of serial input/output data (44.1 kHz) to CXD9556AQ (IC501)
29	FS256	O	11.2896 MHz clock signal output Not used (Blank terminal)
30	DVDD	—	Power supply (+5 V) (Digital)
31 to 34	A03 to A00	O	Address signal output to D-RAM (IC124)
35	A10	O	Address signal output to external D-RAM Not used (Blank terminal)
36 to 40	A04 to A08	O	Address signal output to D-RAM (IC124)

* I (S) of I/O is schmitt input, I (A) is analog input, O (3) is 3-state output, O (A) is analog output

Pin No.	Pin Name	I/O	Description
41	A11	O	Address signal output to external D-RAM Not used (Blank terminal)
42	DVSS	—	Ground (Digital)
43	$\overline{\text{XOE}}$	O	Output enable signal output to D-RAM (IC124) "L": Active
44	$\overline{\text{XCAS}}$	O	Column address strobe signal output to D-RAM (IC124) "L": Active
45	A09	O	Address signal output to D-RAM (IC124)
46	$\overline{\text{XRAS}}$	O	Low address strobe signal output to D-RAM (IC124) "L": Active
47	$\overline{\text{XWE}}$	O	Write enable signal output to D-RAM (IC124) "L": Active
48	D1	I/O	Bi-directional data bus with D-RAM (IC124)
49	D0	I/O	
50	D2	I/O	
51	D3	I/O	
52	MVCI	I (S)	Input to digital-in PLL oscillation from external VCO. Not used (Fix at "L")
53	ASYO	O	Playback EFM full-swing output
54	ASYI	I (A)	Playback EFM asymmetry compare voltage input
55	AVDD	—	Power supply (+3.3 V) (Analog)
56	BIAS	I (A)	Constant current input to playback EFM asymmetry circuit
57	RFI	I (A)	Playback EFM RF signal input from CXA2523AR (IC101)
58	AVSS	—	Ground (+3.3 V) (Analog)
59	PCO	O (3)	Phase comparator output to master clock of the master PLL of the record/playback EFM system
60	FILI	I (A)	Filter input to master clock of the master PLL of the record/playback EFM system
61	FILO	O (A)	Filter output to master clock of the master PLL of the record/playback EFM system
62	CLTV	I (A)	Internal VCO control voltage input to the master PLL of the record/playback EFM system
63	PEAK	I (A)	Peak hold signal input of light amount signal (RF/ABCD) from CXD2523AR (IC101)
64	BOTM	I (A)	Bottom hold signal input of light amount signal (RF/ABCD) from CXD2523AR (IC101)
65	ABCD	I (A)	Light amount signal (ABCD) from CXD2523AR (IC101)
66	FE	I (A)	Focus error signal input from CXD2523AR (IC101)
67	AUX1	I (A)	Auxiliary signal (I3 signal/temperature signal) output from CXD2523AR (IC101)
68	VC	I (A)	Middle point voltage (+1.65 V) output from CXD2523AR (IC101)
69	ADIO	O (A)	Monitor output of A/D converter input signal. Not used in this system (Blank terminal)
70	AVDD	—	Power supply (+3.3 V) (Analog)
71	ADRT	I (A)	A/D converter operation range upper limit voltage input. (Fixed to "H")
72	ADRB	I (A)	A/D converter operation range lower limit voltage input. (Fixed to "L")
73	AVSS	—	Ground (Analog)
74	SE	I (A)	Sled error signal input from CXD2523AR (IC101)
75	TE	I (A)	Tracking error signal input from CXD2523AR (IC101)
76	DCHG	I (A)	Connected to power line (+3.3 V)
77	APC	I (A)	Error signal input to laser automatic power control. Not used in this system (Fixed to "H")
78	ADFG	I (S)	ADIP dual FM signal input from CXD2523AR (IC101) (22.05 kHz \pm 1 kHz)
79	F0CNT	O	Filter f0 control signal output to CXD2523AR (IC101)
80	XLRF	O	Serial latch signal output to CXD2523AR (IC101)
81	CKRF	O	Serial clock signal output to CXD2523AR (IC101)
82	DTRF	O	Write data signal output to CXD2523AR (IC101)
83	APCREF	O	Control signal output for reference voltage generation circuit of laser automatic power control to CXD2523AR (IC101)
84	LDDR	O	PWM signal output for laser automatic power control Not used in this system (Blank terminal)
85	TRDR	O	Tracking servo drive PWM signal output to BH6511FS (IC152) (-)

* I (S) of I/O is schmitt input, I (A) is analog input, O (3) is 3-state output, O (A) is analog output

Pin No.	Pin Name	I/O	Description
86	TFDR	O	Tracking servo drive PWM signal output to BH6511FS (IC152)
87	DVDD	—	Power supply (+3.3 V) (Digital)
88	FFDR	O	Focus servo drive PWM signal output to BH6511FS (IC152) (+)
89	FRDR	O	Focus servo drive PWM signal output to BH6511FS (IC152) (-)
90	FS4	O	176.4 kHz clock signal output (X'tal system) Not used in this system (Blank terminal)
91	SRDR	O	Sled servo drive PWM signal output to BH6511FS (IC152) (-)
92	SFDR	O	Sled servo drive PWM signal output to BH6511FS (IC152) (+)
93	SPRD	O	Spindle servo drive PWM signal output to BH6511FS (IC152) (-)
94	SPFD	O	Spindle servo drive PWM signal output to BH6511FS (IC152) (+)
95	FGIN	I (S)	Input pin for test (Fixed at "L")
96	TEST1	I	Input pin for test (Fixed at "L")
97	TEST2	I	Input pin for test (Fixed at "L")
98	TEST3	I	Input pin for test (Fixed at "L")
99	DVSS	—	Ground (Digital)
100	EFMO	O	EFM signal output for recording to overwrite head driver (IC181)

* I (S) of I/O is schmitt input, I (A) is analog input, O (3) is 3-state output, O (A) is analog output

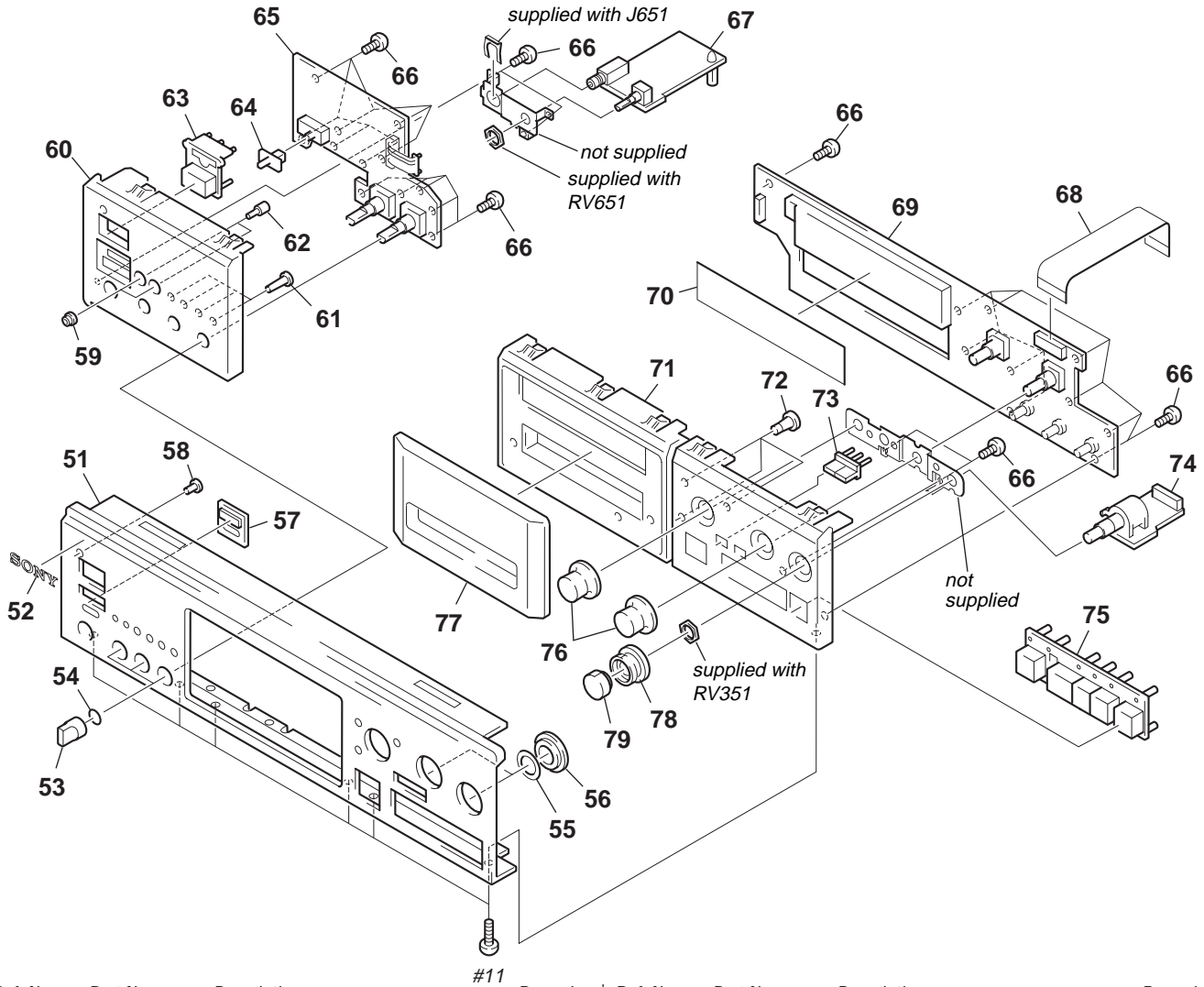
• DIG BOARD IC801 M30805SGP (SYSTEM CONTROL)

Pin No.	Pin Name	I/O	Description
1	DATA(FL)	O	Serial data output for FL display
2	CLK(FL)	O	Serial clock output for FL display
3	A1-IN	I	Control A1 signal input
4	SIRCS	I	Remote control signal input
5	LOADING	I	Chucking-in detect input
6	CMD-REQ	O	REC LED signal output
7	CMD-BUSY	O	PAUSE LED signal output
8	MUTE	O	Mute signal output for analog output and headphones output
9	RESET(AD/DA)	O	Reset signal output for AD board and DA board
10	LATCH(AD)	O	Latch signal output for AD board (Not used)
11	LD-LOW	O	Loading motor control output "L"=high "H"=low
12	LDIN	O	Loading-in control output
13	LDOUT	O	Loading-out control output
14	MOD	O	Modulation switch output "L"=OFF "H"=ON
15	BYTE	I	Data bus width select input "L"=16bit "H"=8bit (Connected to ground)
16	CNVSS	I	Processor mode select input "H"=processor mode (Connected to 3.3V)
17	CLOCK	I	Sub system clock input (32.768kHz)
18	CLOCK	O	Sub system clock output (32.768kHz)
19	RESET	I	System reset input
20	XOUT	O	Main clock output (10MHz)
21	VSS	—	Ground
22	XIN	I	Main clock input (10MHz)
23	VCC	—	Power supply (+3.3V)
24	NMI	I	Non-maskable interrupt input (pull up)
25	DQSY	I	Sub code Q sync input of digital-in U-bit CD format
26	PDOWN	I	Power down detect input "L"=power down
27	SQSY	I	Sub code Q sync input
28	KEYB-CLK	O	Keyboard clock output (Not used)
29	LDON	O	Laser control output "H"=ON
30	LIMIT-IN	I	Sled move most inner circumstance detect input "L"=IN "H"=OUT
31	A1 OUT	O	Control A1 signal output
32	XINT	I	Interrupt signal input
33	LED3	O	PLAY LED signal output
34	XELT(CLIP)	O	LRCK signal output (Not used)
35	WRPWR	O	Laser power control output "H"=write "L"=read
36	CLK(IIC)	I/O	IIC clock input/output (Not used)
37	SDA(IIC)	I/O	IIC data input/output (Not used)
38	SWDT(DSP/ADDA)	O	Serial write data output for DSP and DA
39	VCC	—	Power supply (+3.3V)
40	SRDT(DSP)	I	Serial read data input from DSP
41	VSS	—	Ground
42	SCLK(DSP/ADDA)	O	Serial clock output for DSP and DA
43	REC-SW	I	REC-position detect input
44	TX0(CLIP)	O	DADT signal output (Not used)
45	RX0(CLIP)	I	DADT signal input (Not used)
46	CLK0(CLIP)	O	BCK signal output (Not used)
47	DIG-RST	O	Reset signal output for DIGITAL board
48	SENS	I	SENS signal input
49	PLAY-SW	I	Play-position detect input
50	XLATCH	O	Latch signal output for DSP

Pin No.	Pin Name	I/O	Description
51	OUT-SW	I	Pack-out position detect input
52	RDY	I	Ready signal input (Not used)
53	ALE/RAS	O	Address latch enable output (Not used)
54	HOLD	I	Hold signal input (Not used)
55	HLDA/ALE	O	Hold acknowledge output (Not used)
56	MNT2(XBUSY)	I	Busy signal input from DSP
57	VSS	—	Ground
58	MNT1(SHCK)	I	Shock signal input from DSP
59	VCC	—	Power supply (+3.3V)
60	EEP-WP	O	Write protect output for EEPROM (Not used)
61	SDA	I/O	Serial data input/output for EEPROM
62	BLCK	O	(Not used)
63	OE	O	Output enable output for FLASH ROM
64	BHE CASH	O	(Not used)
65	WE R/W	O	Write enable output for FLASH ROM
66	SCL	O	Serial clock output for EEPROM
67	REFRECT-SW	I	Disc reflect rate detect input “L”=High reflect rate “H”=Low reflect rate
68	PROTECT-SW	I	Disc protect detect input “L”=protect “H”=unprotect
69	CS0(F-ROM)	O	Chip select output for FLASH ROM
70	CS1(S-RAM)	O	Chip select output for S-RAM (Not used)
71	CS2(DIC-ROM)	O	Chip select output for DIC-ROM (Not used)
72,73	A20,A19	O	Address output for FLASH ROM
74	VCC	—	Power supply (+3.3V)
75	A18	O	Address output for FLASH ROM
76	VSS	—	Ground
77 to 85	A17 to A9	O	Address output for FLASH ROM
86 to 89	SEL3 to SEL0	I	Model set terminal
90	WP	O	Write protect output for FLASH ROM
91	VCC	—	Power supply (+3.3V)
92	A8	O	Address output for FLASH ROM
93	VSS	—	Ground
94 to 101	A7 to A0	O	Address output for FLASH ROM
102 to 113	D15 to D4	I/O	Data input/output for FLASH ROM
114	KEYBOARD-CLK-CTRL	O	Keyboard clock control signal output (Not used)
115	BUSY(IIC)	I	IIC busy input (Not used)
116	KEYBOARD-DATA	I	Keyboard data input (Not used)
117,118	REC-VOL-B, REC-VOL-A	I	Digital REC LEVEL input from rotary encoder
119 to 122	D3 to D0	I/O	Data input/output for FLASH ROM
123,124	JOG0,JOG1	I	AMS control input from rotary encoder
125	LATCH(DA)	O	Data latch output for DA
126	OPT2/OPT1	O	Optical digital input select signal output “L”=OPT1 “H”=OPT2
127	CAX/OPT	O	Digital input system select signal output “L”=optical “H”=coaxial
128	CS(FL)	O	Chip select output for FL display
129	POWER(IIC)	O	IIC power-on signal output (Not used)
130	VSS	—	Ground

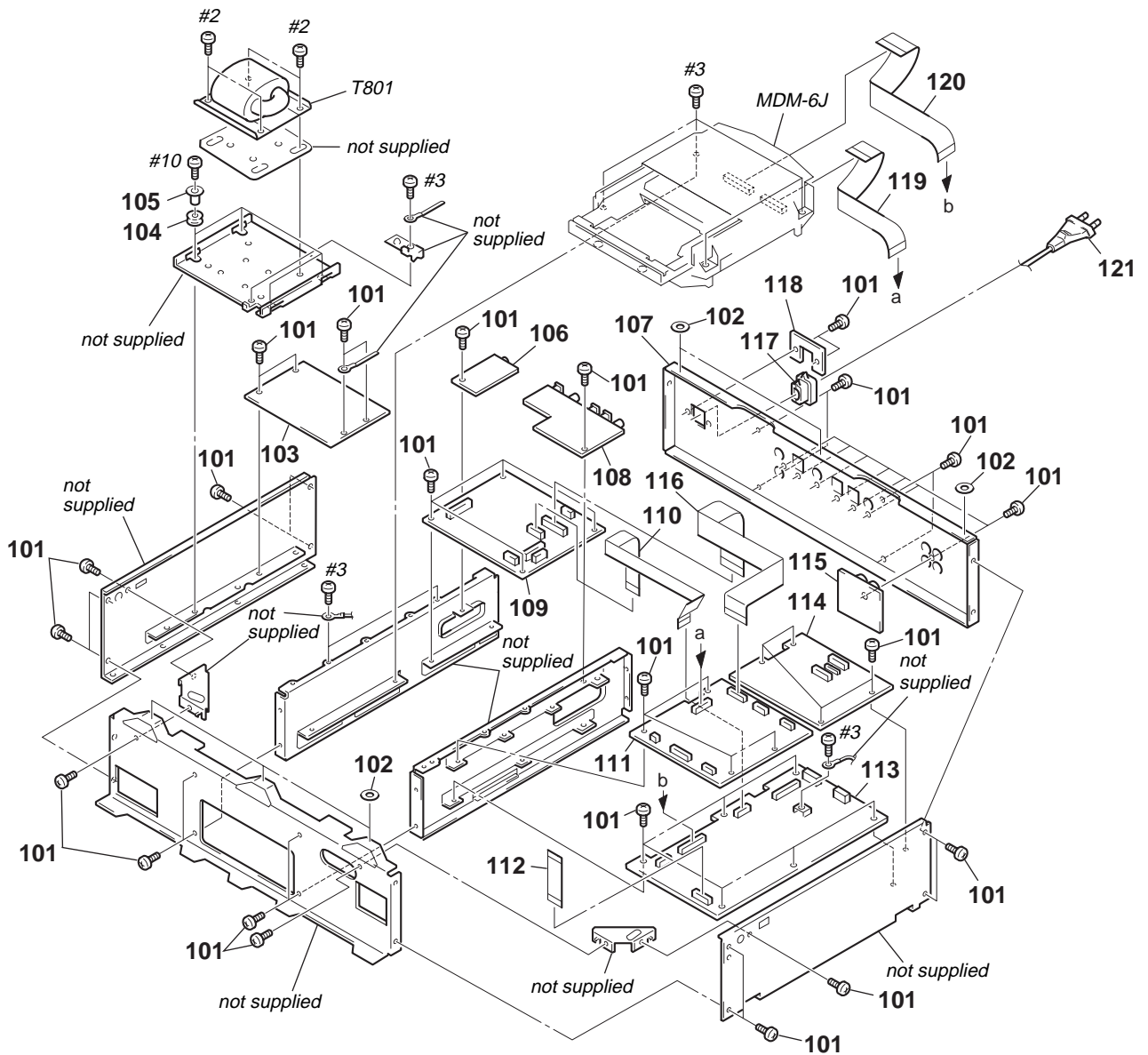
Pin No.	Pin Name	I/O	Description
131	STB	O	Strobe signal output “L”=standby “H”=power on
132	VCC	—	Power supply (+3.3V)
133	IOP	I	IOP level input (Not used)
134	INPUT	I	INPUT select input (A/D input)
135	REC MODE	I	REC MODE select input (A/D input)
136	TIMER	I	TIMER select input (A/D input)
137 to 139	KEY3 to KEY1	I	Key input (A/D input)
140	AVSS	—	Ground
141	KEY0	I	Key input (A/D input)
142	VREF	I	Reference voltage input
143	AVCC	—	Power supply (+3.3V)
144	CMD-TXD	O	(Not used)

7-2. FRONT PANEL ASSEMBLY



Ref. No.	Part No.	Description	Remarks	Ref. No.	Part No.	Description	Remarks
51	4-228-931-01	PANEL, FRONT (GOLD) (AEP/UK)		66	4-951-620-01	SCREW (2.6X8), +BVTP	
51	4-228-931-11	PANEL, FRONT (BLACK) (AEP/UK)		67	A-4725-247-A	HP BOARD, COMPLETE	
51	4-228-931-21	PANEL, FRONT (BLACK) (US/CND)		68	1-792-853-11	WIRE (FLAT TYPE) (25 CORE)	
52	4-942-568-41	EMBLEM (NO.5), SONY (SILVER),,(BLACK)		69	A-4725-215-A	FL BOARD, COMPLETE (US/CND)	
53	4-992-539-01	KNOB (VOL)(GOLD)		69	A-4725-241-A	FL BOARD, COMPLETE (AEP/UK)	
53	4-992-539-11	KNOB (VOL)(BLACK)		70	4-220-324-01	FILTER (FL) (GOLD)	
54	3-354-981-01	SPRING (SUS), RING		71	4-228-888-01	BASE (R), PANEL (GOLD)	
55	4-220-312-01	SHEET (RING), ADHESIVE		71	4-228-888-11	BASE (R), PANEL (BLACK)	
56	4-220-295-01	RING(REC), ORNAMENTAL (GOLD)		72	4-220-320-01	BUTTON (EDIT) (GOLD)	
56	4-220-295-11	RING(REC), ORNAMENTAL (BLACK)		72	4-220-320-11	BUTTON (EDIT) (BLACK)	
57	4-987-520-01	WINDOW (REMOTE CONTROL) (GOLD)		73	4-220-321-01	BUTTON (FR) (GOLD)	
57	4-987-520-11	WINDOW (REMOTE CONTROL) (BLACK)		73	4-220-321-11	BUTTON (FR) (BLACK)	
58	4-987-519-01	INDICATOR (D2)		74	1-678-450-11	REC BOARD	
59	4-220-711-01	INDICATOR (FILTER)		75	X-4951-690-1	BUTTON (PLAY) ASSY (GOLD)	
60	4-228-887-01	BASE (L), PANEL (GOLD)		75	X-4951-691-1	BUTTON (PLAY) ASSY (BLACK)	
60	4-228-887-11	BASE (L), PANEL (BLACK)		76	4-220-292-01	KNOB (AMS) (GOLD)	
61	4-220-319-01	BUTTON (MODE) (GOLD)		76	4-220-292-11	KNOB (AMS) (BLACK)	
61	4-220-319-11	BUTTON (MODE) (BLACK)		77	4-228-924-01	WINDOW (FL) (GOLD)	
62	4-220-317-01	BUTTON (FILTER)		77	4-228-924-11	WINDOW (FL) (BLACK)	
63	4-998-737-01	BUTTON (POWER) (GOLD)		78	4-220-293-01	KNOB (REC-L) (GOLD)	
63	4-998-737-11	BUTTON (POWER) (BLACK)		78	4-220-293-11	KNOB (REC-L) (BLACK)	
64	4-971-774-01	KNOB (TIMER) (BLACK)		79	4-220-294-01	KNOB (REC-R) (GOLD)	
64	4-971-774-21	KNOB (TIMER) (GOLD)		79	4-220-294-11	KNOB (REC-R) (BLACK)	
65	1-678-456-11	PSW BOARD					

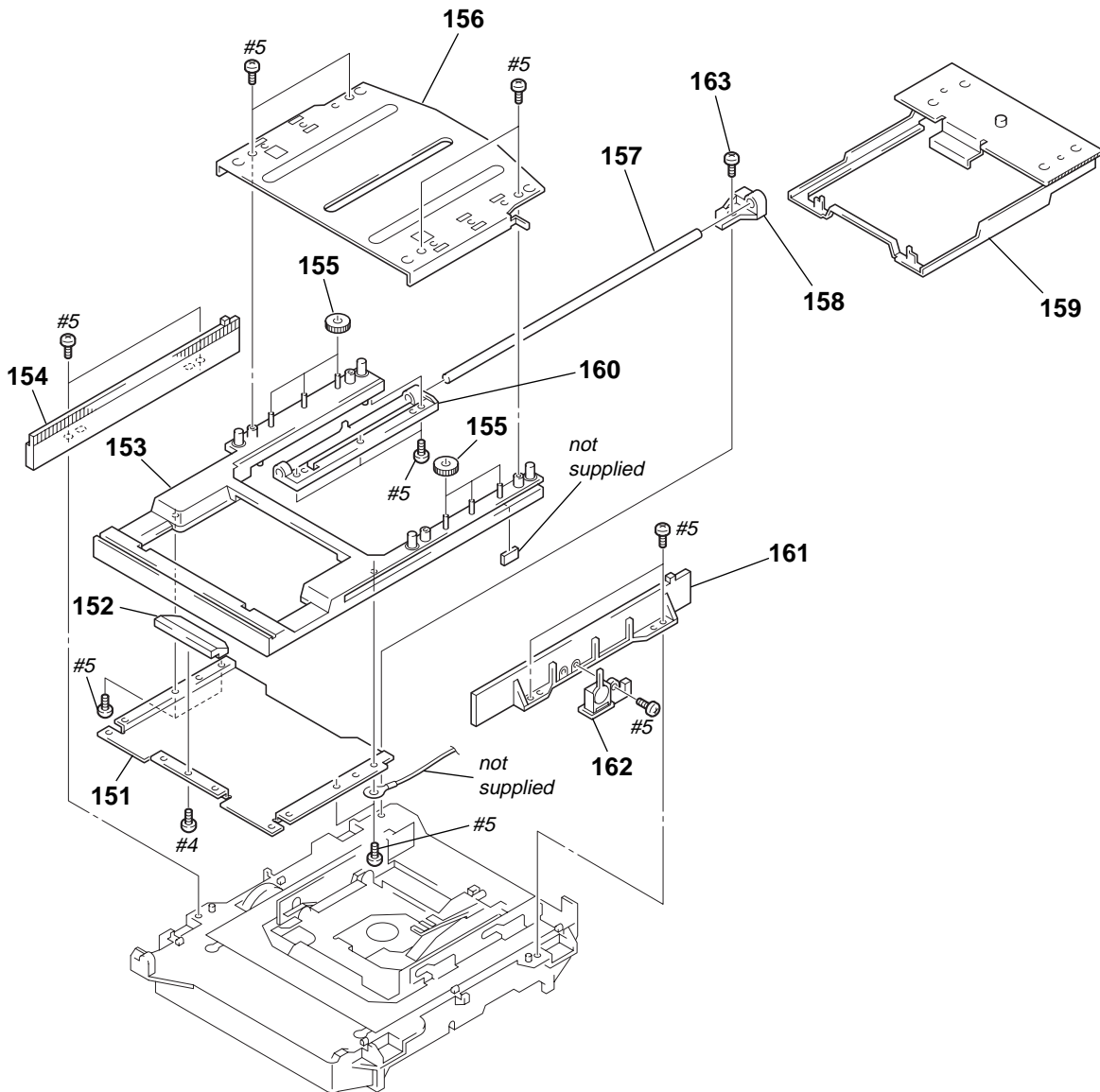
7-3. CHASSIS ASSEMBLY



Ref. No.	Part No.	Description	Remarks	Ref. No.	Part No.	Description	Remarks
101	4-929-074-01	SCREW (3X8)		112	1-792-854-11	WIRE (FLAT TYPE) (21 CORE)	
102	4-971-099-01	WASHER (P)		113	A-4725-243-A	DA BOARD, COMPLETE	
103	1-678-452-11	AC BOARD		114	A-4725-244-A	AD BOARD, COMPLETE	
* 104	4-888-798-00	BUSHING, RUBBER		115	1-678-454-11	PJ BOARD	
105	4-928-032-01	COLLAR (A)		116	1-792-852-11	WIRE (FLAT TYPE) (23 CORE)	
106	1-678-458-11	CONT-A1 BOARD		117	3-703-244-00	BUSHING (2104), CORD	
107	4-228-930-12	PANEL, BACK (AEP/UK)		* 118	4-923-873-01	BRACKET, CORD STOPPER	
107	4-228-930-22	PANEL, BACK (US)		119	1-790-202-11	WIRE (FLAT TYPE) (23 CORE)	
107	4-228-930-32	PANEL, BACK (CND)		120	1-791-168-11	WIRE (FLAT TYPE)	
108	A-4725-251-A	DIO BOARD, COMPLETE		△ 121	1-558-568-21	CORD, POWER (AEP)	
109	A-4725-245-A	POW BOARD, COMPLETE		△ 121	1-696-586-11	CORD, POWER (UK)	
110	1-791-167-11	WIRE (FLAT TYPE)		△ 121	1-790-154-31	CORD, POWER (US/CND)	
111	A-4725-223-A	DIG BOARD, COMPLETE (US/CND)		△ T801	1-435-605-11	TRANSFORMER, POWER (AEP/UK)	
111	A-4725-249-A	DIG BOARD, COMPLETE (AEP/UK)		△ T801	1-435-606-11	TRANSFORMER, POWER (US/CND)	

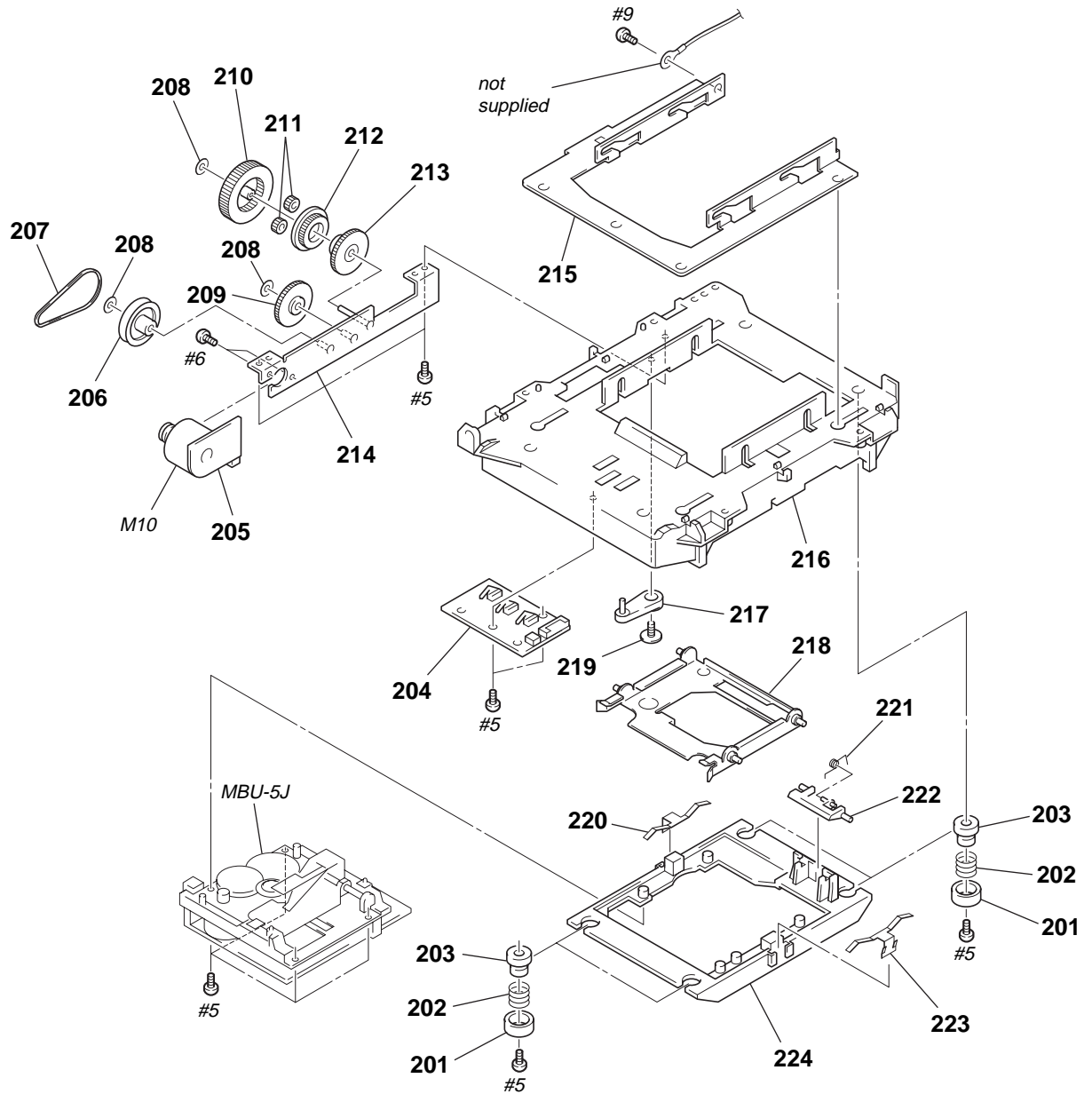
<p>The components identified by mark Δ or dotted line with mark Δ are critical for safety. Replace only with part number specified.</p>	<p>Les composants identifiés par une marque Δ sont critiques pour la sécurité. Ne les remplacer que par une pièce portant le numéro spécifié.</p>
-----------------------------------------------------------------------------------------------------------------------------------------------------------------------------	---------------------------------------------------------------------------------------------------------------------------------------------------------------------

7-4. MECHANISM DECK ASSEMBLY-1 (MDM-6J)



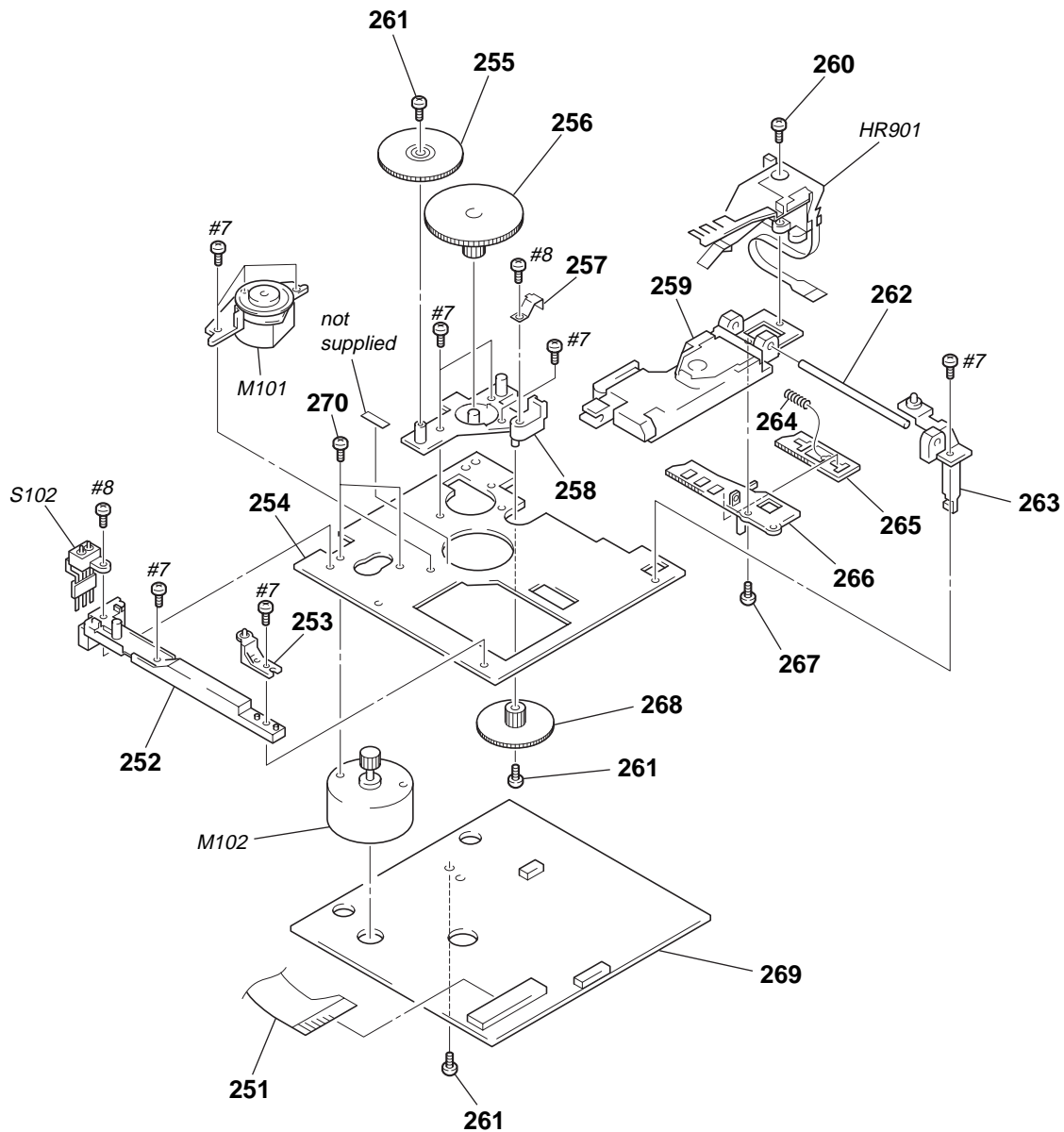
Ref. No.	Part No.	Description	Remarks	Ref. No.	Part No.	Description	Remarks
* 151	4-999-519-01	BRACKET (TRAY)		158	4-987-271-01	STOPPER (SHAFT B)	
* 152	4-987-267-01	TABLE (EJECT)		159	X-4949-787-1	SLIDER (D) ASSY	
153	4-999-509-01	TRAY		160	4-999-512-01	GUIDE (SHAFT)	
154	4-999-528-01	RACK (L)		161	4-999-529-01	RACK (R)	
155	4-999-544-01	GEAR (TOP)		* 162	1-669-050-11	OUT SWITCH BOARD	
* 156	4-999-532-01	BRACKET (TOP)		163	4-951-620-41	SCREW (2.6), +BVTP	
157	4-999-535-01	SHAFT					

7-5. MECHANISM DECK ASSEMBLY-2 (MDM-6J)



Ref. No.	Part No.	Description	Remarks	Ref. No.	Part No.	Description	Remarks
201	4-999-541-01	COLLAR (DAMPER)		* 214	X-4949-788-1	BRACKET (MOTOR) ASSY	
202	4-999-539-01	SPRING, COMPRESSION		215	X-4949-786-6	SLIDER ASSY	
203	4-999-540-01	INSULATOR (MD)		216	4-999-527-01	CHASSIS, MECHANICAL	
* 204	1-669-051-11	POSITION SWITCH BOARD		217	X-4949-790-1	LEVER (LOCK) ASSY	
* 205	1-669-049-11	MOTOR BOARD		218	X-4949-789-1	HOLDER ASSY	
206	4-999-513-01	GEAR, PULLEY		219	4-933-134-01	SCREW (+PTPWH M2.6X6)	
207	4-999-537-01	BELT (LOADING)		220	4-999-533-01	SPRING (UDL), LEAF	
208	4-968-919-31	WASHER, STOPPER		221	4-999-524-01	SPRING (OWH), TORSION	
209	4-999-514-01	GEAR		222	4-999-511-01	LEVER (OWH)	
210	4-999-515-01	GEAR (A), PLANET		223	4-999-534-01	SPRING (UDR), LEAF	
211	4-999-518-01	GEAR (D), PLANET		224	4-999-510-01	HOLDER, BU	
212	4-999-517-01	GEAR (C), PLANET		M10	X-4949-791-1	MOTOR (LOADING) ASSY	
213	4-999-516-01	GEAR (B), PLANET					

7-6. BASE UNIT (MBU-5J)



Ref. No.	Part No.	Description	Remarks	Ref. No.	Part No.	Description	Remarks
251	1-667-954-11	PC BOARD, FLEXIBLE		264	4-996-258-01	SPRING, COMPRESSION	
* 252	4-996-255-01	BASE (BU-C)		265	4-996-257-01	RACK (SL)	
* 253	4-996-267-01	BASE (BU-D)		266	4-996-256-01	SL(BASE)	
* 254	4-996-252-01	CHASSIS, BU		267	4-900-590-01	SCREW, PRECISION SMALL	
255	4-996-260-01	GEAR (SL-A)		268	4-996-262-01	GEAR (SL-C)	
256	4-996-261-01	GEAR (SL-B)		269	A-4725-174-A	BD BOARD, COMPLETE	
257	4-996-263-01	SPRING (CLV), TORSION		270	4-211-036-01	SCREW (1.7X2.5), +PWH	
* 258	4-996-254-01	BASE (BU-B)		HR901	1-500-565-11	HEAD, OVER LIGHT	
△ 259	A-4672-541-A	OPTICAL PICK-UP KMS-260B/J1N		M101	A-4672-475-A	MOTOR ASSY, SPINDLE	
260	4-988-560-01	SCREW (+P 1.7X6)		M102	A-4672-474-A	MOTOR ASSY, SLED	
261	3-372-761-01	SCREW (M1.7), TAPPING		S101	1-762-148-21	SWITCH, PUSH (2 KEY)	(REFLECT/PROTECT DET)
262	4-996-265-01	SHAFT, MAIN					
* 263	4-210-664-01	BASE (BU-A)					

The components identified by mark Δ or dotted line with mark Δ are critical for safety. Replace only with part number specified.

Les composants identifiés par une marque Δ sont critiques pour la sécurité. Ne les remplacer que par une pièce portant le numéro spécifié.

SECTION 8 ELECTRICAL PARTS LIST

AC

AD

NOTE:

- Due to standardization, replacements in the parts list may be different from the parts specified in the diagrams or the components used on the set.
- -XX, -X mean standardized parts, so they may have some difference from the original one.
- Items marked "*" are not stocked since they are seldom required for routine service. Some delay should be anticipated when ordering these items.
- Abbreviation
CND : Canadian model

- CAPACITORS:
uF: μ F
- RESISTORS
All resistors are in ohms.
METAL: metal-film resistor
METAL OXIDE: Metal Oxide-film resistor
F: nonflammable
- COILS
uH: μ H

- SEMICONDUCTORS
In each case, u: μ , for example:
uA...: μ A..., uPA..., μ PA...,
uPB..., μ PB..., uPC..., μ PC...,
uPD..., μ PD...

The components identified by mark Δ or dotted line with mark Δ are critical for safety. Replace only with part number specified.

Les composants identifiés par une marque Δ sont critiques pour la sécurité. Ne les remplacer que par une pièce portant le numéro spécifié.

When indicating parts by reference number, please include the board name.

Ref. No.	Part No.	Description	Remarks	Ref. No.	Part No.	Description	Remarks
	1-678-452-11	AC BOARD *****				< TRANSFORMER >	
		< CAPACITOR >		Δ TR901	1-435-585-11	TRANSFORMER, POWER (AEP/UK)	
				Δ TR901	1-435-584-11	TRANSFORMER, POWER (US/CND)	

					A-4725-244-A	AD BOARD, COMPLETE *****	
						< CAPACITOR >	
Δ C901	1-113-925-11	CERAMIC	0.01uF 20.00% 250V				
Δ C902	1-113-925-11	CERAMIC	0.01uF 20.00% 250V				
Δ C903	1-113-920-11	CERAMIC	0.0022uF 20.00% 250V				
Δ C904	1-113-920-11	CERAMIC	0.0022uF 20.00% 250V				
Δ C905	1-113-920-11	CERAMIC	0.0022uF 20.00% 250V				
Δ C906	1-113-920-11	CERAMIC	0.0022uF 20.00% 250V				
C907	1-164-159-11	CERAMIC	0.1uF 50V	C301	1-164-159-11	CERAMIC	0.1uF 50V
C908	1-164-159-11	CERAMIC	0.1uF 50V	C302	1-164-159-11	CERAMIC	0.1uF 50V
C909	1-126-937-11	ELECT	4700uF 20.00% 16V	C303	1-162-294-31	CERAMIC	0.001uF 10% 50V
Δ C910	1-113-920-11	CERAMIC	0.0022uF 20.00% 250V	C304	1-162-282-31	CERAMIC	100PF 10% 50V
				C305	1-162-282-31	CERAMIC	100PF 10% 50V
		< CONNECTOR >		C306	1-162-199-31	CERAMIC	10PF 5% 50V
* CN901	1-580-230-11	PIN, CONNECTOR (PC BOARD) 2P		C307	1-124-995-11	ELECT	220uF 20.00% 10V
CN902	1-564-321-00	PIN, CONNECTOR 2P		C308	1-164-159-11	CERAMIC	0.1uF 50V
				C309	1-124-995-11	ELECT	220uF 20.00% 10V
		< DIODE >		C310	1-164-159-11	CERAMIC	0.1uF 50V
D901	8-719-911-19	DIODE 1SS133T-72		C311	1-136-808-11	FILM	100PF 5.00% 100V
D902	8-719-911-19	DIODE 1SS133T-72		C312	1-136-808-11	FILM	100PF 5.00% 100V
D903	8-719-210-21	DIODE 11EQS04-TA2B		C313	1-104-645-11	CERAMIC	1uF 20.00% 50V
D904	8-719-210-21	DIODE 11EQS04-TA2B		C314	1-104-645-11	CERAMIC	1uF 20.00% 50V
D905	8-719-210-21	DIODE 11EQS04-TA2B		C315	1-126-048-81	ELECT	10uF 20.00% 50V
D906	8-719-210-21	DIODE 11EQS04-TA2B		C316	1-164-159-11	CERAMIC	0.1uF 50V
D907	8-719-911-19	DIODE 1SS133T-72		C317	1-126-048-81	ELECT	10uF 20.00% 50V
				C318	1-164-159-11	CERAMIC	0.1uF 50V
		< GROUND >		C319	1-164-159-11	CERAMIC	0.1uF 50V
* EP901	4-870-539-00	PLATE, GROUND		C320	1-126-048-81	ELECT	10uF 20.00% 50V
				C321	1-164-159-11	CERAMIC	0.1uF 50V
		< LINE FILTER >		C322	1-124-997-11	ELECT	470uF 20.00% 10V
Δ LF901	1-424-485-11	FILTER, LINE		C324	1-164-159-11	CERAMIC	0.1uF 50V
				C326	1-164-159-11	CERAMIC	0.1uF 50V
		< TRANSISTOR >		C327	1-126-023-11	ELECT	100uF 20.00% 25V
Q901	8-729-140-98	TRANSISTOR 2SD773-T-34		C328	1-126-023-11	ELECT	100uF 20.00% 25V
				C329	1-126-009-81	ELECT	100uF 20.00% 16V
		< RESISTOR >		C330	1-126-009-81	ELECT	100uF 20.00% 16V
R901	1-247-807-31	CARBON	100 5% 1/4W	C331	1-126-009-81	ELECT	100uF 20.00% 16V
R902	1-249-425-11	CARBON	4.7K 5% 1/4W F	C332	1-126-009-81	ELECT	100uF 20.00% 16V
R903	1-249-437-11	CARBON	47K 5% 1/4W	C333	1-126-023-11	ELECT	100uF 20.00% 25V
				C334	1-126-023-11	ELECT	100uF 20.00% 25V
		< RELAY >		C335	1-126-023-11	ELECT	100uF 20.00% 25V
Δ RY901	1-755-356-11	RELAY		C336	1-126-023-11	ELECT	100uF 20.00% 25V

AD

BD

Ref. No.	Part No.	Description	Remarks
< CONNECTOR >			
CN301	1-779-279-11	CONNECTOR,FFC(LIF(NON-ZIF)) 11P	
CN302	1-691-768-11	PLUG (MICRO CONNECTOR) 6P	
CN303	1-691-770-11	PLUG (MICRO CONNECTOR) 8P	
CN304	1-691-766-11	PLUG (MICRO CONNECTOR) 4P	
< DIODE >			
D301	8-719-911-19	DIODE 1SS133T-72	
D302	8-719-911-19	DIODE 1SS133T-72	
D303	8-719-911-19	DIODE 1SS133T-72	
D304	8-719-911-19	DIODE 1SS133T-72	
D305	8-719-911-19	DIODE 1SS133T-72	
D306	8-719-911-19	DIODE 1SS133T-72	
D307	8-719-911-19	DIODE 1SS133T-72	
D308	8-719-911-19	DIODE 1SS133T-72	
D309	8-719-210-21	DIODE 11EQS04-TA2B	
D310	8-719-210-21	DIODE 11EQS04-TA2B	
D311	8-719-210-21	DIODE 11EQS04-TA2B	
< IC >			
IC302	8-759-686-36	IC AK5383VF	
IC304	8-759-604-35	IC M5F78M05L	
IC305	8-759-712-02	IC NJM2114D	
IC306	8-759-712-02	IC NJM2114D	
IC307	8-759-712-02	IC NJM2114D	
IC308	8-759-712-02	IC NJM2114D	
< COIL >			
L301	1-408-599-31	INDUCTOR 4.7uH	
* L302	1-410-858-21	INDUCTOR 0uH	
L303	1-408-599-31	INDUCTOR 4.7uH	
< RESISTOR >			
R301	1-247-807-31	CARBON 100 5% 1/4W	
R302	1-247-807-31	CARBON 100 5% 1/4W	
R303	1-247-807-31	CARBON 100 5% 1/4W	
R304	1-247-807-31	CARBON 100 5% 1/4W	
R305	1-247-807-31	CARBON 100 5% 1/4W	
R306	1-249-429-11	CARBON 10K 5% 1/4W	
R307	1-249-429-11	CARBON 10K 5% 1/4W	
R311	1-249-504-11	CARBON 10 5% 1/4W	
R312	1-249-504-11	CARBON 10 5% 1/4W	
R313	1-249-504-11	CARBON 10 5% 1/4W	
R314	1-249-504-11	CARBON 10 5% 1/4W	
R315	1-249-947-11	CARBON 10K 5% 1/4W	
R316	1-249-947-11	CARBON 10K 5% 1/4W	
R317	1-249-947-11	CARBON 10K 5% 1/4W	
R318	1-249-947-11	CARBON 10K 5% 1/4W	
R319	1-249-947-11	CARBON 10K 5% 1/4W	
R320	1-249-947-11	CARBON 10K 5% 1/4W	
R321	1-249-953-11	CARBON 18K 5% 1/4W	
R322	1-249-953-11	CARBON 18K 5% 1/4W	
R323	1-249-941-11	CARBON 5.6K 5% 1/4W	
R324	1-249-941-11	CARBON 5.6K 5% 1/4W	
R325	1-249-469-11	CARBON 100K 5% 1/4W	
R326	1-249-469-11	CARBON 100K 5% 1/4W	
R327	1-249-923-11	CARBON 1K 5% 1/4W	
R328	1-249-923-11	CARBON 1K 5% 1/4W	

Ref. No.	Part No.	Description	Remarks
R329	1-249-995-11	CARBON 1M 5% 1/4W	
R330	1-249-995-11	CARBON 1M 5% 1/4W	
R331	1-249-995-11	CARBON 1M 5% 1/4W	
R332	1-249-995-11	CARBON 1M 5% 1/4W	
R333	1-249-947-11	CARBON 10K 5% 1/4W	
R334	1-249-947-11	CARBON 10K 5% 1/4W	

	A-4725-174-A	BD BOARD, COMPLETE	

< CAPACITOR >			
C101	1-125-822-11	TANTALUM 10uF 20.00% 10V	
C102	1-163-038-11	CERAMIC CHIP 0.1uF 25V	
C103	1-125-822-11	TANTALUM 10uF 20.00% 10V	
C104	1-125-822-11	TANTALUM 10uF 20.00% 10V	
C105	1-163-021-91	CERAMIC CHIP 0.01uF 10.00% 50V	
C106	1-163-275-11	CERAMIC CHIP 0.001uF 5.00% 50V	
C107	1-163-038-11	CERAMIC CHIP 0.1uF 25V	
C108	1-163-038-11	CERAMIC CHIP 0.1uF 25V	
C109	1-163-037-11	CERAMIC CHIP 0.022uF 10% 25V	
C111	1-164-344-11	CERAMIC CHIP 0.068uF 10.00% 25V	
C112	1-163-017-00	CERAMIC CHIP 0.0047uF 5% 50V	
C113	1-109-982-11	CERAMIC CHIP 1uF 10.00% 10V	
C115	1-164-489-11	CERAMIC CHIP 0.22uF 10.00% 16V	
C116	1-163-037-11	CERAMIC CHIP 0.022uF 10% 25V	
C117	1-163-809-11	CERAMIC CHIP 0.047uF 10% 25V	
C118	1-163-038-11	CERAMIC CHIP 0.1uF 25V	
C119	1-125-822-11	TANTALUM 10uF 20.00% 10V	
C121	1-125-822-11	TANTALUM 10uF 20.00% 10V	
C122	1-163-021-91	CERAMIC CHIP 0.01uF 10.00% 50V	
C123	1-163-038-11	CERAMIC CHIP 0.1uF 25V	
C124	1-163-038-11	CERAMIC CHIP 0.1uF 25V	
C127	1-163-038-11	CERAMIC CHIP 0.1uF 25V	
C128	1-163-021-91	CERAMIC CHIP 0.01uF 10.00% 50V	
C129	1-107-823-11	CERAMIC CHIP 0.47uF 10.00% 16V	
C130	1-163-251-11	CERAMIC CHIP 100PF 5.00% 50V	
C131	1-163-023-00	CERAMIC CHIP 0.015uF 5% 50V	
C132	1-107-823-11	CERAMIC CHIP 0.47uF 10.00% 16V	
C133	1-163-017-00	CERAMIC CHIP 0.0047uF 5% 50V	
C134	1-163-038-11	CERAMIC CHIP 0.1uF 25V	
C135	1-163-038-11	CERAMIC CHIP 0.1uF 25V	
C136	1-126-206-11	ELECT CHIP 100uF 20% 6.3V	
C142	1-163-251-11	CERAMIC CHIP 100PF 5.00% 50V	
C143	1-163-251-11	CERAMIC CHIP 100PF 5.00% 50V	
C144	1-163-251-11	CERAMIC CHIP 100PF 5.00% 50V	
C146	1-163-038-11	CERAMIC CHIP 0.1uF 25V	
C151	1-126-206-11	ELECT CHIP 100uF 20% 6.3V	
C152	1-163-038-11	CERAMIC CHIP 0.1uF 25V	
C153	1-163-021-91	CERAMIC CHIP 0.01uF 10.00% 50V	
C156	1-163-038-11	CERAMIC CHIP 0.1uF 25V	
C158	1-163-019-00	CERAMIC CHIP 0.0068uF 10% 50V	
C160	1-104-601-11	ELECT CHIP 10uF 20.00% 10V	
C161	1-104-601-11	ELECT CHIP 10uF 20.00% 10V	
C163	1-163-021-91	CERAMIC CHIP 0.01uF 10.00% 50V	
C164	1-163-021-91	CERAMIC CHIP 0.01uF 10.00% 50V	
C167	1-163-038-11	CERAMIC CHIP 0.1uF 25V	

Ref. No.	Part No.	Description	Remarks	Ref. No.	Part No.	Description	Remarks
C168	1-163-038-11	CERAMIC CHIP	0.1uF 25V	Q163	8-729-403-35	TRANSISTOR	RN2304-TE85L
C169	1-125-822-11	TANTALUM	10uF 20.00% 10V	Q181	8-729-018-75	TRANSISTOR	2SJ278MYTR
C171	1-163-038-11	CERAMIC CHIP	0.1uF 25V	Q182	8-729-017-65	TRANSISTOR	2SK1764KYTR
C181	1-104-913-11	TANTAL. CHIP	10uF 20.00% 16V			< RESISTOR >	
C183	1-163-038-11	CERAMIC CHIP	0.1uF 25V				
C184	1-117-970-11	ELECT CHIP	22uF 20.00% 10V	R103	1-216-049-11	RES-CHIP	1K 5% 1/10W
C185	1-164-611-11	CERAMIC CHIP	0.001uF 10.00% 500V	R104	1-216-073-00	METAL CHIP	10K 5% 1/10W
C187	1-104-913-11	TANTAL. CHIP	10uF 20.00% 16V	R105	1-216-065-91	RES-CHIP	4.7K 5% 1/10W
C188	1-163-021-91	CERAMIC CHIP	0.01uF 10.00% 50V	R106	1-216-133-00	METAL CHIP	3.3M 5% 1/10W
C189	1-163-989-11	CERAMIC CHIP	0.033uF 10% 25V	R107	1-216-113-00	METAL CHIP	470K 5% 1/10W
C190	1-126-206-11	ELECT CHIP	100uF 20% 6.3V	R109	1-216-295-11	SHORT	0
C191	1-163-038-11	CERAMIC CHIP	0.1uF 25V	R110	1-216-073-00	METAL CHIP	10K 5% 1/10W
C196	1-163-038-11	CERAMIC CHIP	0.1uF 25V	R111	1-216-295-11	SHORT	0
C197	1-163-038-11	CERAMIC CHIP	0.1uF 25V	R112	1-216-089-11	RES-CHIP	47K 5% 1/10W
		< CONNECTOR >		R113	1-216-049-11	RES-CHIP	1K 5% 1/10W
CN101	1-569-479-21	CONNECTOR, FPC 21P		R115	1-216-049-11	RES-CHIP	1K 5% 1/10W
CN102	1-784-835-21	CONNECTOR,FFC(LIF(NON-ZIF)) 27P		R117	1-216-113-00	METAL CHIP	470K 5% 1/10W
CN103	1-784-834-21	CONNECTOR,FFC(LIF(NON-ZIF)) 23P		R120	1-216-025-11	RES-CHIP	100 5% 1/10W
CN104	1-770-687-11	CONNECTOR, FFC/FPC 4P		R121	1-216-097-11	RES-CHIP	100K 5% 1/10W
CN110	1-695-440-21	PIN, CONNECTOR (PC BOARD) 6P		R123	1-216-295-11	SHORT	0
		< DIODE >		R124	1-216-025-11	RES-CHIP	100 5% 1/10W
D101	8-719-988-61	DIODE 1SS355TE-17		R125	1-216-295-11	SHORT	0
D181	8-719-046-86	DIODE F1J6TP		R127	1-216-025-11	RES-CHIP	100 5% 1/10W
D183	8-719-046-86	DIODE F1J6TP		R129	1-216-295-11	SHORT	0
		< IC >		R130	1-216-295-11	SHORT	0
IC101	8-752-080-95	IC CXA2523AR		R131	1-216-073-00	METAL CHIP	10K 5% 1/10W
IC103	8-729-903-10	IC FMW1-T-148		R132	1-216-097-11	RES-CHIP	100K 5% 1/10W
IC121	8-752-404-64	IC CXD2662R		R133	1-216-117-00	METAL CHIP	680K 5% 1/10W
IC123	8-759-096-87	IC TC7WU04FU(TE12R)		R134	1-216-049-11	RES-CHIP	1K 5% 1/10W
IC124	8-759-498-44	IC MSM51V4400-70TS-K		R135	1-216-061-00	METAL CHIP	3.3K 5% 1/10W
IC152	8-759-430-25	IC BH6511FS-E2		R136	1-216-049-11	RES-CHIP	1K 5% 1/10W
IC171	8-759-640-41	IC BR24C08F-E2		R137	1-216-295-11	SHORT	0
IC181	8-759-481-17	IC MC74ACT08DTR2		R140	1-216-029-00	METAL CHIP	150 5% 1/10W
IC192	8-759-460-72	IC BA033FP-E2		R142	1-216-073-00	METAL CHIP	10K 5% 1/10W
		< COIL >		R143	1-216-073-00	METAL CHIP	10K 5% 1/10W
L101	1-414-813-11	FERRITE	0uH	R144	1-216-295-11	SHORT	0
L102	1-414-813-11	FERRITE	0uH	R145	1-216-073-00	METAL CHIP	10K 5% 1/10W
L103	1-414-813-11	FERRITE	0uH	R146	1-216-037-00	METAL CHIP	330 5% 1/10W
L105	1-414-813-11	FERRITE	0uH	R147	1-216-025-11	RES-CHIP	100 5% 1/10W
L106	1-414-813-11	FERRITE	0uH	R148	1-216-045-00	METAL CHIP	680 5% 1/10W
L121	1-414-813-11	FERRITE	0uH	R149	1-216-073-00	METAL CHIP	10K 5% 1/10W
L122	1-414-813-11	FERRITE	0uH	R150	1-216-295-11	SHORT	0
L151	1-412-029-11	INDUCTOR CHIP	10uH	R151	1-216-073-00	METAL CHIP	10K 5% 1/10W
L152	1-412-029-11	INDUCTOR CHIP	10uH	R152	1-216-073-00	METAL CHIP	10K 5% 1/10W
L153	1-412-032-11	INDUCTOR CHIP	100uH	R158	1-216-097-11	RES-CHIP	100K 5% 1/10W
L154	1-412-032-11	INDUCTOR CHIP	100uH	R159	1-216-097-11	RES-CHIP	100K 5% 1/10W
L161	1-414-813-11	FERRITE	0uH	R160	1-216-295-11	SHORT	0
L162	1-414-813-11	FERRITE	0uH	R161	1-216-057-00	METAL CHIP	2.2K 5% 1/10W
L181	1-216-295-11	SHORT	0	R162	1-216-057-00	METAL CHIP	2.2K 5% 1/10W
		< TRANSISTOR >		R163	1-216-057-00	METAL CHIP	2.2K 5% 1/10W
Q101	8-729-403-35	TRANSISTOR	RN2304-TE85L	R164	1-216-045-00	METAL CHIP	680 5% 1/10W
Q102	8-729-026-53	TRANSISTOR	2SA1576A-T106-QR	R165	1-216-097-11	RES-CHIP	100K 5% 1/10W
Q103	8-729-028-99	TRANSISTOR	RN1307-TE85L	R166	1-216-298-00	METAL CHIP	2.2 5% 1/10W
Q104	8-729-028-99	TRANSISTOR	RN1307-TE85L	R167	1-216-065-91	RES-CHIP	4.7K 5% 1/10W
Q162	8-729-101-07	TRANSISTOR	2SB798-T1DK	R169	1-219-724-11	METAL CHIP	1 1% 1/4W
				R170	1-216-073-00	METAL CHIP	10K 5% 1/10W
				R171	1-216-073-00	METAL CHIP	10K 5% 1/10W
				R173	1-216-121-11	RES-CHIP	1M 5% 1/10W
				R175	1-216-065-91	RES-CHIP	4.7K 5% 1/10W
				R177	1-216-061-00	METAL CHIP	3.3K 5% 1/10W

BD	CONT-A1	DA
----	---------	----

Ref. No.	Part No.	Description	Remarks
R179	1-216-085-00	METAL CHIP 33K 5%	1/10W
R180	1-216-073-00	METAL CHIP 10K 5%	1/10W
R182	1-216-089-11	RES-CHIP 47K 5%	1/10W
R183	1-216-089-11	RES-CHIP 47K 5%	1/10W
R184	1-216-073-00	METAL CHIP 10K 5%	1/10W
R185	1-216-081-00	METAL CHIP 22K 5%	1/10W
R186	1-216-089-11	RES-CHIP 47K 5%	1/10W
R188	1-216-073-00	METAL CHIP 10K 5%	1/10W
R189	1-216-073-00	METAL CHIP 10K 5%	1/10W
R190	1-216-073-00	METAL CHIP 10K 5%	1/10W
R195	1-216-073-00	METAL CHIP 10K 5%	1/10W
R196	1-216-295-11	SHORT 0	
R197	1-216-295-11	SHORT 0	
R198	1-216-296-91	SHORT 0	
< SWITCH >			
S101	1-762-596-21	SWITCH, PUSH (1KEY)(LIMIT IN)	

	1-678-458-11	CONT-A1 BOARD	

< CAPACITOR >			
C461	1-163-038-11	CERAMIC CHIP 0.1uF	25V
C462	1-104-646-11	CERAMIC 2.2uF	20.00% 50V
C463	1-163-038-11	CERAMIC CHIP 0.1uF	25V
C464	1-163-038-11	CERAMIC CHIP 0.1uF	25V
< CONNECTOR >			
CN461	1-784-923-11	PIN, CONNECTOR 7P	
< DIODE >			
D461	8-719-988-61	DIODE 1SS355TE-17	
< GROUND >			
EP461	1-537-771-21	TERMINAL BOARD, GROUND	
< JACK >			
J461	1-779-655-21	JACK (SMALL TYPE)(2GANG)(CONTROL A111)	
< JUMPER RESISTOR >			
JR801	1-216-296-91	SHORT 0	
< TRANSISTOR >			
Q461	8-729-620-05	TRANSISTOR 2SC2603TP-EF	
< RESISTOR >			
R461	1-216-073-00	METAL CHIP 10K 5%	1/10W
R462	1-216-065-91	RES-CHIP 4.7K 5%	1/10W
R463	1-216-001-00	METAL CHIP 10 5%	1/10W
R464	1-216-025-11	RES-CHIP 100 5%	1/10W
R465	1-216-067-00	METAL CHIP 5.6K 5%	1/10W

Ref. No.	Part No.	Description	Remarks
	A-4725-243-A	DA BOARD, COMPLETE	

< BAR >			
* BB501	1-560-242-31	BUS BAR 5P	
< CAPACITOR >			
C430	1-126-934-11	ELECT 220uF	20.00% 10V
C431	1-164-159-11	CERAMIC 0.1uF	50V
C432	1-164-159-11	CERAMIC 0.1uF	50V
C433	1-104-664-11	ELECT 47uF	20.00% 16V
C434	1-126-934-11	ELECT 220uF	20.00% 10V
C435	1-164-159-11	CERAMIC 0.1uF	50V
C436	1-164-159-11	CERAMIC 0.1uF	50V
C437	1-104-664-11	ELECT 47uF	20.00% 16V
C442	1-164-159-11	CERAMIC 0.1uF	50V
C501	1-126-934-11	ELECT 220uF	20.00% 10V
C502	1-162-294-31	CERAMIC 0.001uF	10% 50V
C503	1-164-159-11	CERAMIC 0.1uF	50V
C504	1-124-995-11	ELECT 220uF	20.00% 10V
C505	1-164-159-11	CERAMIC 0.1uF	50V
C506	1-124-995-11	ELECT 220uF	20.00% 10V
C507	1-164-159-11	CERAMIC 0.1uF	50V
C508	1-124-995-11	ELECT 220uF	20.00% 10V
C509	1-164-159-11	CERAMIC 0.1uF	50V
C510	1-124-995-11	ELECT 220uF	20.00% 10V
C511	1-164-159-11	CERAMIC 0.1uF	50V
C512	1-126-934-11	ELECT 220uF	20.00% 10V
C513	1-164-159-11	CERAMIC 0.1uF	50V
C514	1-126-934-11	ELECT 220uF	20.00% 10V
C515	1-164-159-11	CERAMIC 0.1uF	50V
C516	1-164-159-11	CERAMIC 0.1uF	50V
C517	1-164-159-11	CERAMIC 0.1uF	50V
C519	1-102-943-00	CERAMIC 6.0PF	50V
C520	1-102-943-00	CERAMIC 6.0PF	50V
C525	1-126-013-11	ELECT 1000uF	20.00% 16V
C526	1-126-049-11	ELECT 22uF	20.00% 25V
C527	1-136-165-00	MYLAR 0.1uF	5.00% 50V
C528	1-126-049-11	ELECT 22uF	20.00% 25V
C529	1-164-159-11	CERAMIC 0.1uF	50V
C530	1-164-159-11	CERAMIC 0.1uF	50V
C531	1-136-165-00	MYLAR 0.1uF	5.00% 50V
C532	1-164-159-11	CERAMIC 0.1uF	50V
C533	1-164-159-11	CERAMIC 0.1uF	50V
C535	1-164-159-11	CERAMIC 0.1uF	50V
C537	1-126-009-81	ELECT 100uF	20.00% 16V
C541	1-126-009-81	ELECT 100uF	20.00% 16V
C543	1-164-159-11	CERAMIC 0.1uF	50V
C544	1-136-165-00	MYLAR 0.1uF	5.00% 50V
C545	1-136-165-00	MYLAR 0.1uF	5.00% 50V
C547	1-126-022-11	ELECT 47uF	20.00% 25V
C548	1-126-022-11	ELECT 47uF	20.00% 25V
C549	1-136-165-00	MYLAR 0.1uF	5.00% 50V
C550	1-136-165-00	MYLAR 0.1uF	5.00% 50V
C551	1-126-009-81	ELECT 100uF	20.00% 16V
C553	1-126-009-81	ELECT 100uF	20.00% 16V
C556	1-130-973-00	FILM 0.022uF	5.00% 63V

Ref. No.	Part No.	Description	Remarks	Ref. No.	Part No.	Description	Remarks
C557	1-130-973-00	FILM	0.022uF 5.00% 63V	IC509	8-759-712-02	IC NJM2114D	
C562	1-136-154-00	MYLAR	0.012uF 5.00% 50V	IC510	8-759-712-02	IC NJM2114D	
C563	1-136-154-00	MYLAR	0.012uF 5.00% 50V	IC511	8-759-712-02	IC NJM2114D	
C564	1-136-154-00	MYLAR	0.012uF 5.00% 50V			< COIL >	
C565	1-136-154-00	MYLAR	0.012uF 5.00% 50V				
C566	1-130-479-00	MYLAR	0.0047uF 5% 50V	L501	1-408-599-31	INDUCTOR	4.7uH
C567	1-130-479-00	MYLAR	0.0047uF 5% 50V	L502	1-408-599-31	INDUCTOR	4.7uH
C568	1-130-479-00	MYLAR	0.0047uF 5% 50V	* L503	1-410-858-21	INDUCTOR	0uH
C569	1-130-479-00	MYLAR	0.0047uF 5% 50V	* L504	1-410-858-21	INDUCTOR	0uH
C570	1-130-467-00	MYLAR	470PF 5% 50V	L505	1-408-599-31	INDUCTOR	4.7uH
C571	1-130-467-00	MYLAR	470PF 5% 50V	L506	1-408-599-31	INDUCTOR	4.7uH
C572	1-130-467-00	MYLAR	470PF 5% 50V	L507	1-408-599-31	INDUCTOR	4.7uH
C573	1-130-467-00	MYLAR	470PF 5% 50V	L508	1-408-599-31	INDUCTOR	4.7uH
C574	1-162-294-31	CERAMIC	0.001uF 10% 50V	L509	1-408-599-31	INDUCTOR	4.7uH
C575	1-162-282-31	CERAMIC	100PF 10% 50V	* L518	1-410-858-21	INDUCTOR	0uH
C576	1-130-479-00	MYLAR	0.0047uF 5% 50V	* L519	1-410-858-21	INDUCTOR	0uH
C577	1-130-479-00	MYLAR	0.0047uF 5% 50V			< TRANSISTOR >	
C578	1-162-282-31	CERAMIC	100PF 10% 50V				
C580	1-130-471-00	MYLAR	0.001uF 5% 50V	Q505	8-729-140-98	TRANSISTOR	2SD773-T-34
C581	1-130-471-00	MYLAR	0.001uF 5% 50V			< RESISTOR >	
C582	1-126-052-11	ELECT	100uF 20.00% 50V				
C583	1-126-052-11	ELECT	100uF 20.00% 50V	R501	1-247-807-31	CARBON	100 5% 1/4W
C588	1-124-699-11	ELECT	220uF 20.00% 25V	R502	1-247-807-31	CARBON	100 5% 1/4W
C589	1-124-699-11	ELECT	220uF 20.00% 25V	R503	1-247-807-31	CARBON	100 5% 1/4W
C590	1-162-294-31	CERAMIC	0.001uF 10% 50V	R504	1-247-807-31	CARBON	100 5% 1/4W
C602	1-102-934-00	CERAMIC	1.0PF 50V	R505	1-247-807-31	CARBON	100 5% 1/4W
C603	1-162-211-31	CERAMIC	33PF 5% 50V	R506	1-247-807-31	CARBON	100 5% 1/4W
C605	1-164-159-11	CERAMIC	0.1uF 50V	R507	1-247-807-31	CARBON	100 5% 1/4W
C606	1-164-159-11	CERAMIC	0.1uF 50V	R510	1-247-807-31	CARBON	100 5% 1/4W
C607	1-164-159-11	CERAMIC	0.1uF 50V	R511	1-247-807-31	CARBON	100 5% 1/4W
C608	1-164-159-11	CERAMIC	0.1uF 50V	R518	1-247-807-31	CARBON	100 5% 1/4W
C609	1-164-159-11	CERAMIC	0.1uF 50V	R519	1-249-401-11	CARBON	47 5% 1/4W F
C610	1-164-159-11	CERAMIC	0.1uF 50V	R520	1-249-425-11	CARBON	4.7K 5% 1/4W F
C611	1-164-159-11	CERAMIC	0.1uF 50V	R521	1-259-404-11	CARBON	100 5% 1/6W
C613	1-162-215-31	CERAMIC	47PF 5% 50V	R522	1-259-404-11	CARBON	100 5% 1/6W
C615	1-164-159-11	CERAMIC	0.1uF 50V	R523	1-259-404-11	CARBON	100 5% 1/6W
		< CONNECTOR >		R524	1-259-404-11	CARBON	100 5% 1/6W
CN501	1-779-289-11	CONNECTOR,FFC(LIF(NON-ZIF)) 21P		R525	1-259-404-11	CARBON	100 5% 1/6W
CN502	1-779-295-11	CONNECTOR,FFC(LIF(NON-ZIF)) 27P		R526	1-259-404-11	CARBON	100 5% 1/6W
CN503	1-793-565-11	CONNECTOR,FFC(LIF(NON-ZIF)) 13P		R527	1-259-404-11	CARBON	100 5% 1/6W
CN504	1-784-923-11	PIN, CONNECTOR 7P		R528	1-259-404-11	CARBON	100 5% 1/6W
CN505	1-691-766-11	PLUG (MICRO CONNECTOR) 4P		R529	1-259-416-11	CARBON	330 5% 1/6W
CN506	1-784-922-11	PIN, CONNECTOR 5P		R530	1-259-416-11	CARBON	330 5% 1/6W
CN507	1-691-772-11	PLUG (MICRO CONNECTOR) 10P		R531	1-249-504-11	CARBON	10 5% 1/4W
		< DIODE >		R532	1-249-504-11	CARBON	10 5% 1/4W
D503	8-719-911-19	DIODE 1SS133T-72		R533	1-249-504-11	CARBON	10 5% 1/4W
D505	8-719-210-21	DIODE 11EQS04-TA2B		R534	1-249-504-11	CARBON	10 5% 1/4W
		< TERMINAL >		R535	1-249-504-11	CARBON	10 5% 1/4W
ET501	4-924-264-01	TERMINAL, MOUNT		R536	1-249-504-11	CARBON	10 5% 1/4W
		< IC >		R537	1-249-504-11	CARBON	10 5% 1/4W
IC501	8-759-678-29	IC CXD9556AQ		R538	1-249-504-11	CARBON	10 5% 1/4W
IC503	8-759-604-35	IC M5F78M05L		R539	1-249-885-11	CARBON	27 5% 1/4W
IC504	8-759-371-51	IC CXA8042AS		R540	1-249-885-11	CARBON	27 5% 1/4W
IC505	8-759-371-51	IC CXA8042AS		R541	1-249-885-11	CARBON	27 5% 1/4W
IC508	8-759-712-02	IC NJM2114D		R542	1-249-885-11	CARBON	27 5% 1/4W
				R543	1-249-542-11	CARBON	390 5% 1/4W

Ref. No.	Part No.	Description	Quantity	Value	Remarks
R544	1-249-542-11	CARBON	390	5%	1/4W
R545	1-249-542-11	CARBON	390	5%	1/4W
R546	1-249-542-11	CARBON	390	5%	1/4W
R547	1-249-941-11	CARBON	5.6K	5%	1/4W
R548	1-249-941-11	CARBON	5.6K	5%	1/4W
R549	1-249-941-11	CARBON	5.6K	5%	1/4W
R550	1-249-941-11	CARBON	5.6K	5%	1/4W
R551	1-249-941-11	CARBON	5.6K	5%	1/4W
R552	1-249-941-11	CARBON	5.6K	5%	1/4W
R553	1-249-941-11	CARBON	5.6K	5%	1/4W
R554	1-249-941-11	CARBON	5.6K	5%	1/4W
R555	1-249-923-11	CARBON	1K	5%	1/4W
R556	1-249-923-11	CARBON	1K	5%	1/4W
R559	1-249-923-11	CARBON	1K	5%	1/4W
R560	1-249-923-11	CARBON	1K	5%	1/4W
R577	1-249-520-11	CARBON	47	5%	1/4W
R578	1-249-520-11	CARBON	47	5%	1/4W
R581	1-249-429-11	CARBON	10K	5%	1/4W
R582	1-249-429-11	CARBON	10K	5%	1/4W
R583	1-249-429-11	CARBON	10K	5%	1/4W
R584	1-249-469-11	CARBON	100K	5%	1/4W
R585	1-249-469-11	CARBON	100K	5%	1/4W
R586	1-259-412-11	CARBON	220	5%	1/6W
R587	1-259-412-11	CARBON	220	5%	1/6W
R588	1-259-434-11	CARBON	1.8K	5%	1/6W
R589	1-259-434-11	CARBON	1.8K	5%	1/6W
		< RELAY >			
RY501	1-515-802-11	RELAY			
		< VIBRATOR >			
X501	1-760-955-11	VIBRATOR, CRYSTAL 45MHz			

A-4725-223-A	DIG BOARD, COMPLETE (US/CND)				

A-4725-249-A	DIG BOARD, COMPLETE (AEP/UK)				

		< CAPACITOR >			
C801	1-163-222-11	CERAMIC CHIP	5PF		50V
C802	1-163-224-11	CERAMIC CHIP	7PF		50V
C803	1-165-319-11	CERAMIC CHIP	0.1uF		50V
C804	1-163-009-11	CERAMIC CHIP	0.001uF	10%	50V
C805	1-163-001-11	CERAMIC CHIP	220PF	10%	50V
C806	1-126-964-11	ELECT	10uF	20.00%	50V
C807	1-165-319-11	CERAMIC CHIP	0.1uF		50V
C808	1-163-001-11	CERAMIC CHIP	220PF	10%	50V
C810	1-163-251-11	CERAMIC CHIP	100PF	5.00%	50V
C815	1-165-319-11	CERAMIC CHIP	0.1uF		50V
C821	1-104-664-11	ELECT	47uF	20.00%	10V
C822	1-165-319-11	CERAMIC CHIP	0.1uF		50V
C823	1-165-319-11	CERAMIC CHIP	0.1uF		50V
C824	1-104-665-11	ELECT	100uF	20.00%	10V
C841	1-163-001-11	CERAMIC CHIP	220PF	10%	50V

Ref. No.	Part No.	Description	Quantity	Value	Remarks
C842	1-163-001-11	CERAMIC CHIP	220PF	10%	50V
C843	1-163-001-11	CERAMIC CHIP	220PF	10%	50V
C844	1-163-001-11	CERAMIC CHIP	220PF	10%	50V
C845	1-163-001-11	CERAMIC CHIP	220PF	10%	50V
C846	1-163-001-11	CERAMIC CHIP	220PF	10%	50V
C847	1-163-001-11	CERAMIC CHIP	220PF	10%	50V
C848	1-163-001-11	CERAMIC CHIP	220PF	10%	50V
C849	1-163-001-11	CERAMIC CHIP	220PF	10%	50V
C850	1-163-001-11	CERAMIC CHIP	220PF	10%	50V
C851	1-163-001-11	CERAMIC CHIP	220PF	10%	50V
C852	1-163-001-11	CERAMIC CHIP	220PF	10%	50V
C853	1-163-001-11	CERAMIC CHIP	220PF	10%	50V
C854	1-163-001-11	CERAMIC CHIP	220PF	10%	50V
C855	1-163-001-11	CERAMIC CHIP	220PF	10%	50V
C856	1-163-001-11	CERAMIC CHIP	220PF	10%	50V
C857	1-163-001-11	CERAMIC CHIP	220PF	10%	50V
C858	1-163-001-11	CERAMIC CHIP	220PF	10%	50V
C859	1-163-001-11	CERAMIC CHIP	220PF	10%	50V
C860	1-163-001-11	CERAMIC CHIP	220PF	10%	50V
C861	1-163-001-11	CERAMIC CHIP	220PF	10%	50V
C862	1-163-001-11	CERAMIC CHIP	220PF	10%	50V
C863	1-163-001-11	CERAMIC CHIP	220PF	10%	50V
C864	1-163-001-11	CERAMIC CHIP	220PF	10%	50V
C865	1-163-001-11	CERAMIC CHIP	220PF	10%	50V
C866	1-163-001-11	CERAMIC CHIP	220PF	10%	50V
C867	1-163-001-11	CERAMIC CHIP	220PF	10%	50V
C868	1-163-001-11	CERAMIC CHIP	220PF	10%	50V
C869	1-163-001-11	CERAMIC CHIP	220PF	10%	50V
C870	1-163-001-11	CERAMIC CHIP	220PF	10%	50V
C871	1-163-001-11	CERAMIC CHIP	220PF	10%	50V
C872	1-163-001-11	CERAMIC CHIP	220PF	10%	50V
C873	1-163-001-11	CERAMIC CHIP	220PF	10%	50V
C874	1-163-001-11	CERAMIC CHIP	220PF	10%	50V
C875	1-163-001-11	CERAMIC CHIP	220PF	10%	50V
C877	1-163-009-11	CERAMIC CHIP	0.001uF	10%	50V
C878	1-163-009-11	CERAMIC CHIP	0.001uF	10%	50V
C879	1-163-009-11	CERAMIC CHIP	0.001uF	10%	50V
C880	1-163-009-11	CERAMIC CHIP	0.001uF	10%	50V
C881	1-163-009-11	CERAMIC CHIP	0.001uF	10%	50V
C882	1-163-009-11	CERAMIC CHIP	0.001uF	10%	50V
C883	1-163-009-11	CERAMIC CHIP	0.001uF	10%	50V
C884	1-163-009-11	CERAMIC CHIP	0.001uF	10%	50V
C885	1-163-009-11	CERAMIC CHIP	0.001uF	10%	50V
C886	1-163-009-11	CERAMIC CHIP	0.001uF	10%	50V
C887	1-163-009-11	CERAMIC CHIP	0.001uF	10%	50V
C888	1-163-009-11	CERAMIC CHIP	0.001uF	10%	50V
		< CONNECTOR >			
CN801	1-778-692-11	CONNECTOR, FFC/FPC 21P			
CN802	1-784-370-21	CONNECTOR, FFC/FPC 11P			
CN803	1-793-991-11	CONNECTOR, FFC/FPC 23P			
CN804	1-793-991-11	CONNECTOR, FFC/FPC 23P			
CN805	1-790-669-21	PIN, CONNECTOR (PC BOARD) 9P			
CN806	1-778-998-21	PIN, CONNECTOR (PC BOARD) 3P			
CN807	1-784-382-21	CONNECTOR, FFC/FPC 25P			

Ref. No.	Part No.	Description	Remarks	Ref. No.	Part No.	Description	Remarks
		< IC >		R868	1-216-295-11	SHORT	0
IC801	8-759-677-81	IC M30805SGP		R869	1-216-295-11	SHORT	0
IC802	8-759-686-23	IC MT28F800B3WG10T-333		R870	1-216-295-11	SHORT	0
IC805	8-759-460-72	IC BA033FP-E2		R872	1-216-295-11	SHORT	0
		< RESISTOR >		R873	1-216-295-11	SHORT	0
R3	1-216-025-11	RES-CHIP	100 5% 1/10W	R877	1-216-073-00	METAL CHIP	10K 5% 1/10W
R42	1-216-295-11	SHORT	0	R878	1-216-073-00	METAL CHIP	10K 5% 1/10W
R117	1-216-295-11	SHORT	0	R879	1-216-073-00	METAL CHIP	10K 5% 1/10W
R118	1-216-295-11	SHORT	0	R881	1-216-295-11	SHORT	0 (US/CND)
R129	1-216-295-11	SHORT	0			< COMPOSITION CIRCUIT BLOCK >	
R801	1-216-073-00	METAL CHIP	10K 5% 1/10W	RB801	1-236-908-11	NETWORK RESISTOR (CHIP)	10K
R802	1-216-073-00	METAL CHIP	10K 5% 1/10W	RB802	1-236-908-11	NETWORK RESISTOR (CHIP)	10K
R803	1-216-073-00	METAL CHIP	10K 5% 1/10W	RB803	1-236-908-11	NETWORK RESISTOR (CHIP)	10K
R804	1-216-073-00	METAL CHIP	10K 5% 1/10W			< VIBRATOR >	
R805	1-216-295-11	SHORT	0	X1	1-781-174-21	VIBRATOR, CERAMIC	10MHz
R806	1-216-073-00	METAL CHIP	10K 5% 1/10W	X2	1-795-008-11	VIBRATOR, CRYSTAL	
R807	1-216-073-00	METAL CHIP	10K 5% 1/10W			*****	
R808	1-216-073-00	METAL CHIP	10K 5% 1/10W	A-472-525-1A		DIO BOARD, COMPLETE	
R809	1-216-073-00	METAL CHIP	10K 5% 1/10W			*****	
R810	1-216-073-00	METAL CHIP	10K 5% 1/10W			< CAPACITOR >	
R811	1-216-073-00	METAL CHIP	10K 5% 1/10W	C400	1-163-009-11	CERAMIC CHIP	0.001uF 10% 50V
R812	1-216-073-00	METAL CHIP	10K 5% 1/10W	C401	1-163-038-11	CERAMIC CHIP	0.1uF 25V
R814	1-216-073-00	METAL CHIP	10K 5% 1/10W	C402	1-126-933-11	ELECT	100uF 20.00% 16V
R816	1-216-073-00	METAL CHIP	10K 5% 1/10W	C403	1-163-009-11	CERAMIC CHIP	0.001uF 10% 50V
R817	1-216-073-00	METAL CHIP	10K 5% 1/10W (US/CND)	C404	1-163-038-11	CERAMIC CHIP	0.1uF 25V
R818	1-216-073-00	METAL CHIP	10K 5% 1/10W (AEP/UK)	C405	1-126-933-11	ELECT	100uF 20.00% 16V
R819	1-216-073-00	METAL CHIP	10K 5% 1/10W (AEP/UK)	C406	1-126-933-11	ELECT	100uF 20.00% 16V
R820	1-216-073-00	METAL CHIP	10K 5% 1/10W (US/CND)	C407	1-126-933-11	ELECT	100uF 20.00% 16V
R834	1-216-085-00	METAL CHIP	33K 5% 1/10W	C408	1-126-933-11	ELECT	100uF 20.00% 16V
R835	1-216-073-00	METAL CHIP	10K 5% 1/10W	C409	1-136-165-00	MYLAR	0.1uF 5.00% 50V
R836	1-216-073-00	METAL CHIP	10K 5% 1/10W	C410	1-136-165-00	MYLAR	0.1uF 5.00% 50V
R837	1-216-073-00	METAL CHIP	10K 5% 1/10W	C411	1-136-165-00	MYLAR	0.1uF 5.00% 50V
R838	1-216-073-00	METAL CHIP	10K 5% 1/10W	C412	1-163-038-11	CERAMIC CHIP	0.1uF 25V
R839	1-216-073-00	METAL CHIP	10K 5% 1/10W	C413	1-163-038-11	CERAMIC CHIP	0.1uF 25V
R840	1-216-073-00	METAL CHIP	10K 5% 1/10W	C414	1-163-038-11	CERAMIC CHIP	0.1uF 25V
R841	1-216-073-00	METAL CHIP	10K 5% 1/10W	C415	1-104-646-11	CERAMIC	2.2uF 20.00% 50V
R842	1-216-073-00	METAL CHIP	10K 5% 1/10W	C416	1-104-646-11	CERAMIC	2.2uF 20.00% 50V
R843	1-216-073-00	METAL CHIP	10K 5% 1/10W	C417	1-163-251-11	CERAMIC CHIP	100PF 5.00% 50V
R844	1-216-073-00	METAL CHIP	10K 5% 1/10W	C418	1-104-645-11	CERAMIC	1uF 20.00% 50V
R845	1-216-073-00	METAL CHIP	10K 5% 1/10W	C419	1-163-038-11	CERAMIC CHIP	0.1uF 25V
R846	1-216-073-00	METAL CHIP	10K 5% 1/10W	C421	1-126-176-11	ELECT	220uF 20% 10V
R847	1-216-073-00	METAL CHIP	10K 5% 1/10W	C422	1-163-038-11	CERAMIC CHIP	0.1uF 25V
R848	1-216-073-00	METAL CHIP	10K 5% 1/10W	C423	1-163-038-11	CERAMIC CHIP	0.1uF 25V
R851	1-216-073-00	METAL CHIP	10K 5% 1/10W	C424	1-124-589-11	ELECT	47uF 20% 16V
R852	1-216-073-00	METAL CHIP	10K 5% 1/10W			< IC >	
R856	1-216-295-11	SHORT	0	IC401	8-749-012-70	IC GP1F38R	
R857	1-216-295-11	SHORT	0	IC402	8-749-012-70	IC GP1F38R	
R858	1-216-295-11	SHORT	0	IC403	8-749-012-69	IC GP1F38T	
R861	1-216-073-00	METAL CHIP	10K 5% 1/10W	IC404	8-759-927-29	IC SN74HCU04ANS-E05	
R862	1-216-073-00	METAL CHIP	10K 5% 1/10W	IC405	8-759-926-17	IC SN74HC153ANS-E05	
R863	1-216-073-00	METAL CHIP	10K 5% 1/10W	IC406	8-759-927-29	IC SN74HCU04ANS-E05	
R864	1-216-073-00	METAL CHIP	10K 5% 1/10W			< JACK >	
R865	1-216-295-11	SHORT	0	J400	1-784-432-11	JACK, PIN 1P (COAXIAL DIGITAL IN)	
R866	1-216-295-11	SHORT	0	J401	1-784-689-11	JACK, PIN 1P (COAXIAL DIGITAL OUT)	
R867	1-216-295-11	SHORT	0				

DIO

FL

Ref. No.	Part No.	Description	Remarks		
< COIL >					
L400	1-412-056-11	INDUCTOR CHIP	4.7uH		
L401	1-412-056-11	INDUCTOR CHIP	4.7uH		
L402	1-412-056-11	INDUCTOR CHIP	4.7uH		
L403	1-412-056-11	INDUCTOR CHIP	4.7uH		
L404	1-412-056-11	INDUCTOR CHIP	4.7uH		
L405	1-414-235-22	INDUCTOR CHIP	0uH		
< RESISTOR >					
R400	1-216-025-11	RES-CHIP	100	5%	1/10W
R401	1-216-025-11	RES-CHIP	100	5%	1/10W
R402	1-216-025-11	RES-CHIP	100	5%	1/10W
R403	1-216-025-11	RES-CHIP	100	5%	1/10W
R404	1-216-025-11	RES-CHIP	100	5%	1/10W
R405	1-216-073-00	METAL CHIP	10K	5%	1/10W
R406	1-216-097-11	RES-CHIP	100K	5%	1/10W
R407	1-216-025-11	RES-CHIP	100	5%	1/10W
R408	1-216-073-00	METAL CHIP	10K	5%	1/10W
R409	1-216-121-11	RES-CHIP	1M	5%	1/10W
R410	1-216-025-11	RES-CHIP	100	5%	1/10W
R411	1-216-025-11	RES-CHIP	100	5%	1/10W
R412	1-216-025-11	RES-CHIP	100	5%	1/10W
R413	1-216-022-00	METAL CHIP	75	5%	1/10W
R414	1-216-033-00	METAL CHIP	220	5%	1/10W
R415	1-216-022-00	METAL CHIP	75	5%	1/10W
< TRANSFORMER >					
T400	1-416-701-11	COIL (WITH CORE)			

A-4725-215-A	FL BOARD, COMPLETE (US/CND)				

A-4725-241-A	FL BOARD, COMPLETE (AEP/UK)				

*	3-362-478-11	HOLDER (T), LED			
*	4-955-901-01	CUSHION (FL)			
*	4-996-686-11	HOLDER (FL)			
< CAPACITOR >					
C701	1-124-589-11	ELECT	47uF	20%	16V
C707	1-162-290-31	CERAMIC	470PF	10%	50V
C708	1-162-290-31	CERAMIC	470PF	10%	50V
C709	1-164-159-11	CERAMIC	0.1uF		50V
C710	1-164-159-11	CERAMIC	0.1uF		50V
C711	1-124-261-00	ELECT	10uF	20%	50V
C712	1-124-261-00	ELECT	10uF	20%	50V
C715	1-162-294-31	CERAMIC	0.001uF	10%	50V
C716	1-162-294-31	CERAMIC	0.001uF	10%	50V
C717	1-164-159-11	CERAMIC	0.1uF		50V
C718	1-164-159-11	CERAMIC	0.1uF		50V
C719	1-162-213-31	CERAMIC	39PF	5.00%	50V
C720	1-162-294-31	CERAMIC	0.001uF	10%	50V
C721	1-162-282-31	CERAMIC	100PF	10%	50V
C722	1-162-282-31	CERAMIC	100PF	10%	50V
C723	1-162-282-31	CERAMIC	100PF	10%	50V
C724	1-164-159-11	CERAMIC	0.1uF		50V
C725	1-124-589-11	ELECT	47uF	20%	16V
C726	1-164-159-11	CERAMIC	0.1uF		50V

Ref. No.	Part No.	Description	Remarks		
< CONNECTOR >					
CN701	1-778-318-11	CONNECTOR, BOARD TO BOARD	13P		
CN702	1-784-337-11	CONNECTOR (FFC)	25P		
< DIODE >					
D701	8-719-046-38	DIODE	SEL5821A-TH8F		
D702	8-719-303-02	DIODE	SEL2510C-D-TP3		
D703	8-719-301-52	DIODE	SEL2810A-D-TP3		
D704	8-719-301-39	DIODE	SEL2210S-D-TP3		
< FILTER >					
FL781	1-517-987-11	INDICATOR TUBE, FLUORESCENT			
< IC >					
IC771	8-759-680-17	IC	MSM9201-04GS-K		
< TRANSISTOR >					
Q701	8-729-900-80	TRANSISTOR	UN4211-TA		
Q702	8-729-900-80	TRANSISTOR	UN4211-TA		
Q703	8-729-900-80	TRANSISTOR	UN4211-TA		
Q704	8-729-900-80	TRANSISTOR	UN4211-TA		
Q705	8-729-620-05	TRANSISTOR	2SC2603TP-EF		
Q706	8-729-620-05	TRANSISTOR	2SC2603TP-EF		
< RESISTOR >					
R702	1-249-421-11	CARBON	2.2K	5%	1/4W F
R703	1-247-843-11	CARBON	3.3K	5%	1/4W
R704	1-249-425-11	CARBON	4.7K	5%	1/4W F
R705	1-249-429-11	CARBON	10K	5%	1/4W
R706	1-249-435-11	CARBON	33K	5%	1/4W
R708	1-249-421-11	CARBON	2.2K	5%	1/4W F
R709	1-247-843-11	CARBON	3.3K	5%	1/4W
R710	1-249-425-11	CARBON	4.7K	5%	1/4W F
R714	1-249-409-11	CARBON	220	5%	1/4W F
R715	1-249-409-11	CARBON	220	5%	1/4W F
R716	1-249-409-11	CARBON	220	5%	1/4W F
R717	1-249-409-11	CARBON	220	5%	1/4W F
R718	1-247-807-31	CARBON	100	5%	1/4W
R719	1-247-807-31	CARBON	100	5%	1/4W
R720	1-247-807-31	CARBON	100	5%	1/4W
R721	1-249-441-11	CARBON	100K	5%	1/4W
R722	1-247-807-31	CARBON	100	5%	1/4W
R723	1-249-441-11	CARBON	100K	5%	1/4W
R724	1-247-807-31	CARBON	100	5%	1/4W
R725	1-247-843-11	CARBON	3.3K	5%	1/4W
R726	1-247-807-31	CARBON	100	5%	1/4W
R727	1-247-807-31	CARBON	100	5%	1/4W
R728	1-247-807-31	CARBON	100	5%	1/4W
R729	1-247-807-31	CARBON	100	5%	1/4W
< SWITCH >					
S701	1-762-875-21	SWITCH, KEYBOARD	(● REC)		
S702	1-762-875-21	SWITCH, KEYBOARD	(■)		
S703	1-762-875-21	SWITCH, KEYBOARD	(▶▶)		
S704	1-762-875-21	SWITCH, KEYBOARD	(◀◀)		
S705	1-762-875-21	SWITCH, KEYBOARD	(■)		

FL

HP

MOTOR

OUT SWITCH

PJ

POW

Ref. No.	Part No.	Description	Remarks
S706	1-762-875-21	SWITCH, KEYBOARD (▶)	
S707	1-762-875-21	SWITCH, KEYBOARD (MENU/NO)	
S708	1-762-875-21	SWITCH, KEYBOARD (YES)	
S709	1-762-875-21	SWITCH, KEYBOARD (CLEAR)	
S710	1-762-875-21	SWITCH, KEYBOARD (OPEN/CLOSE)	
S711	1-476-100-11	ENCODER, ROTARY (AMS)	
S712	1-418-520-11	ENCODER, ROTARY (DIGITAL REC LEVEL)	

	A-472-524-7A	HP BOARD, COMPLETE	

< CAPACITOR >			
C651	1-162-207-31	CERAMIC	22PF 5% 50V
C652	1-162-207-31	CERAMIC	22PF 5% 50V
C653	1-126-013-11	ELECT	1000uF 20.00% 16V
C654	1-126-023-11	ELECT	100uF 20.00% 25V
C655	1-162-294-31	CERAMIC	0.001uF 10% 50V
C656	1-162-294-31	CERAMIC	0.001uF 10% 50V
C657	1-164-159-11	CERAMIC	0.1uF 50V
C658	1-164-159-11	CERAMIC	0.1uF 50V
< CONNECTOR >			
CN651	1-784-923-11	PIN, CONNECTOR 7P	
< IC >			
IC651	8-759-634-51	IC M5218AP	
< JACK >			
J651	1-770-307-11	JACK (LARGE TYPE)(PHONES)	
< COIL >			
* L651	1-410-858-21	INDUCTOR	0uH
< TRANSISTOR >			
Q651	8-729-231-55	TRANSISTOR	2SC2878AB-TPE2
Q652	8-729-231-55	TRANSISTOR	2SC2878AB-TPE2
Q653	8-729-231-55	TRANSISTOR	2SC2878AB-TPE2
Q654	8-729-231-55	TRANSISTOR	2SC2878AB-TPE2
< RESISTOR >			
R651	1-259-460-11	CARBON	22K 5% 1/6W
R652	1-259-460-11	CARBON	22K 5% 1/6W
R653	1-259-444-11	CARBON	4.7K 5% 1/6W
R654	1-259-458-11	CARBON	18K 5% 1/6W
R655	1-259-444-11	CARBON	4.7K 5% 1/6W
R656	1-259-458-11	CARBON	18K 5% 1/6W
R657	1-259-406-11	CARBON	120 5% 1/6W
R658	1-259-406-11	CARBON	120 5% 1/6W
R659	1-259-444-11	CARBON	4.7K 5% 1/6W
R660	1-259-444-11	CARBON	4.7K 5% 1/6W
R661	1-259-444-11	CARBON	4.7K 5% 1/6W
R662	1-259-444-11	CARBON	4.7K 5% 1/6W
R663	1-259-428-11	CARBON	1K 5% 1/6W
R664	1-259-428-11	CARBON	1K 5% 1/6W
R665	1-260-308-11	CARBON	22 5% 1/2W
R666	1-247-727-11	CARBON	10 5% 1/2W

Ref. No.	Part No.	Description	Remarks
< VARIABLE RESISTOR >			
RV651	1-225-492-11	RES, VAR, CARBON 20K/20K (PHONE LEVEL)	

* 1-669-049-11		MOTOR BOARD	

< CAPACITOR >			
C10	1-164-159-11	CERAMIC	0.1uF 50V
< CONNECTOR >			
CN14	1-506-481-11	PIN, CONNECTOR 2P	

* 1-669-050-11		OUT SWITCH BOARD	

* CN10	1-568-951-11	PIN, CONNECTOR 2P	
< SWITCH >			
S10	1-571-300-21	SWITCH, ROTARY (PLAY POSOTION)	

	1-678-454-11	PJ BOARD	

< CAPACITOR >			
C598	1-110-335-11	MYLAR	100PF 5.00% 50V
C599	1-110-335-11	MYLAR	100PF 5.00% 50V
< JACK >			
PJ501	1-568-101-11	JACK, PIN 4P (LINE(ANALOG) IN/OUT)	
< RESISTOR >			
R591	1-249-504-11	CARBON	10 5% 1/4W
R592	1-249-504-11	CARBON	10 5% 1/4W
R593	1-249-405-11	CARBON	100 5% 1/4W F
R594	1-249-405-11	CARBON	100 5% 1/4W F

	A-4725-245-A	POW BOARD, COMPLETE	

< BATTERY >			
BT201	1-528-887-11	BATTERY, LITHIUM SECONDARY	
< CAPACITOR >			
C201	1-126-937-11	ELECT	4700uF 20.00% 16V
C202	1-164-159-11	CERAMIC	0.1uF 50V
C203	1-128-547-11	ELECT	6800uF 20.00% 16V
C204	1-117-771-11	ELECT(BLOCK)	6800uF 20.00% 25V
C205	1-117-771-11	ELECT(BLOCK)	6800uF 20.00% 25V
C206	1-164-159-11	CERAMIC	0.1uF 50V
C213	1-136-153-00	FILM	0.01uF 5% 50V
C214	1-136-153-00	FILM	0.01uF 5% 50V
C218	1-164-159-11	CERAMIC	0.1uF 50V
C231	1-126-234-11	ELECT	2200uF 20.00% 16V

POW

POSITION SWITCH

Ref. No.	Part No.	Description	Remarks
C232	1-124-689-11	ELECT 1000uF	20.00% 16V
C233	1-164-732-11	CERAMIC 0.1uF	20.00% 50V
C234	1-164-732-11	CERAMIC 0.1uF	20.00% 50V
C235	1-164-732-11	CERAMIC 0.1uF	20.00% 50V
C236	1-164-732-11	CERAMIC 0.1uF	20.00% 50V
C241	1-104-663-11	ELECT 33uF	20.00% 25V
C242	1-126-963-11	ELECT 4.7uF	20.00% 50V
C243	1-126-961-11	ELECT 2.2uF	20.00% 50V
C244	1-164-159-11	CERAMIC 0.1uF	50V
C245	1-162-294-31	CERAMIC 0.001uF	10% 50V
C247	1-164-159-11	CERAMIC 0.1uF	50V
C248	1-164-159-11	CERAMIC 0.1uF	50V
C249	1-126-925-11	ELECT 470uF	20.00% 10V
C250	1-126-925-11	ELECT 470uF	20.00% 10V
C251	1-126-965-11	ELECT 22uF	20.00% 50V
C252	1-164-159-11	CERAMIC 0.1uF	50V
C253	1-126-933-11	ELECT 100uF	20.00% 16V
C254	1-162-306-11	CERAMIC 0.01uF	30.00% 16V
C255	1-162-306-11	CERAMIC 0.01uF	30.00% 16V
C258	1-104-665-11	ELECT 100uF	20.00% 10V
C261	1-164-159-11	CERAMIC 0.1uF	50V
C262	1-164-159-11	CERAMIC 0.1uF	50V
C263	1-126-926-11	ELECT 1000uF	20.00% 10V
C264	1-164-159-11	CERAMIC 0.1uF	50V
C271	1-164-159-11	CERAMIC 0.1uF	50V
C272	1-164-159-11	CERAMIC 0.1uF	50V
C273	1-128-564-21	ELECT 220uF	20.00% 100V
C274	1-128-560-11	ELECT 22uF	20.00% 100V
C275	1-128-582-11	ELECT 10uF	20.00% 100V
C276	1-162-306-11	CERAMIC 0.01uF	30.00% 16V
C283	1-104-664-11	ELECT 47uF	20.00% 25V
C284	1-164-159-11	CERAMIC 0.1uF	50V
< CONNECTOR >			
CN201	1-779-291-11	CONNECTOR,FFC(LIF(NON-ZIF)) 23P	
* CN202	1-564-709-11	PIN, CONNECTOR (SMALL TYPE) 7P	
CN205	1-691-767-11	PLUG (MICRO CONNECTOR) 5P	
CN207	1-691-773-11	PLUG (MICRO CONNECTOR) 11P	
CN208	1-779-281-11	CONNECTOR,FFC(LIF(NON-ZIF)) 13P	
CN209	1-568-683-11	PIN, CONNECTOR (PC BAORD) 2P	
< DIODE >			
D201	8-719-200-77	DIODE 10E2N-TA2B	
D202	8-719-200-77	DIODE 10E2N-TA2B	
D203	8-719-200-77	DIODE 10E2N-TA2B	
D204	8-719-200-77	DIODE 10E2N-TA2B	
D205	8-719-911-55	DIODE 10DF2-TA2	
D206	8-719-911-55	DIODE 10DF2-TA2	
D207	8-719-911-55	DIODE 10DF2-TA2	
D208	8-719-911-55	DIODE 10DF2-TA2	
D211	8-719-911-19	DIODE 1SS133T-72	
D212	8-719-983-62	DIODE MTZJ-T-72-3.3A	
D231	8-719-210-21	DIODE 11EQS04-TA2B	
D232	8-719-210-21	DIODE 11EQS04-TA2B	
D241	8-719-911-19	DIODE 1SS133T-72	
D242	8-719-210-21	DIODE 11EQS04-TA2B	
D243	8-719-210-21	DIODE 11EQS04-TA2B	

Ref. No.	Part No.	Description	Remarks
D251	8-719-933-39	DIODE HZS6C1LTA	
D261	8-719-210-21	DIODE 11EQS04-TA2B	
D271	8-719-070-53	DIODE 11E4-TA1B2	
D272	8-719-070-53	DIODE 11E4-TA1B2	
D273	8-719-070-53	DIODE 11E4-TA1B2	
D274	8-719-070-53	DIODE 11E4-TA1B2	
D275	8-719-934-30	DIODE HZS36-2LTA	
D277	8-719-933-36	DIODE HZS6B1LTA	
< GROUND >			
* EP200	4-870-539-00	PLATE, GROUND	
* EP201	4-870-539-00	PLATE, GROUND	
< IC >			
IC230	8-759-605-00	IC M5F78M07L	
IC231	8-759-604-95	IC M5F79M07L	
IC250	8-759-822-09	IC LB1641	
IC260	8-759-604-35	IC M5F78M05L	
IC280	8-759-678-77	IC LA5643	
< IC LINK >			
△ ICP201	1-532-845-21	LINK, IC	
△ ICP202	1-532-845-21	LINK, IC	
< TRANSISTOR >			
Q202	8-729-902-80	TRANSISTOR UN4114-TA	
Q251	8-729-119-76	TRANSISTOR 2SA1115TP-EF	
Q252	8-729-900-80	TRANSISTOR UN4211-TA	
Q271	8-729-141-58	TRANSISTOR 2SC2275A-P	
< RESISTOR >			
R203	1-247-807-31	CARBON 100 5% 1/4W	
R204	1-249-429-11	CARBON 10K 5% 1/4W	
R241	1-249-429-11	CARBON 10K 5% 1/4W	
R242	1-249-413-11	CARBON 470 5% 1/4W	F
R243	1-249-415-11	CARBON 680 5% 1/4W	F
R244	1-249-429-11	CARBON 10K 5% 1/4W	
R245	1-249-409-11	CARBON 220 5% 1/4W	F
R251	1-249-417-11	CARBON 1K 5% 1/4W	F
R252	1-249-433-11	CARBON 22K 5% 1/4W	
R253	1-249-429-11	CARBON 10K 5% 1/4W	
R254	1-249-429-11	CARBON 10K 5% 1/4W	
R271	1-260-108-11	CARBON 5.6K 5% 1/2W	
R276	1-249-441-11	CARBON 100K 5% 1/4W	
R277	1-247-807-31	CARBON 100 5% 1/4W	
R281	1-249-417-11	CARBON 1K 5% 1/4W	F

*	1-669-051-11	POSITION SWITCH BOARD	*****
< CONNECTOR >			
CN12	1-564-723-11	PIN, CONNECTOR (SMALL TYPE) 7P	

The components identified by mark △ or dotted line with mark △ are critical for safety. Replace only with part number specified.	Les composants identifiés par une marque △ sont critiques pour la sécurité. Ne les remplacer que par une pièce portant le numéro spécifié.
----------------------------------------------------------------------------------------------------------------------------------	--------------------------------------------------------------------------------------------------------------------------------------------

POSITION SWITCH

PSW

REC

Ref. No.	Part No.	Description	Remarks	Ref. No.	Part No.	Description	Remarks
		< SWITCH >		R780	1-247-807-31	CARBON 100 5%	1/4W
S11	1-771-264-11	SWITCH, PUSH(DETECTION)(1 KEY) (CHUCKING IN)				< SWITCH >	
S12	1-771-264-11	SWITCH, PUSH(DETECTION)(1 KEY) (PACK OUT)		S751	1-762-875-21	SWITCH, KEYBOARD (PLAY MODE)	
S13	1-771-264-11	SWITCH, PUSH(DETECTION)(1 KEY) (REC POSITION)		S752	1-762-875-21	SWITCH, KEYBOARD (REPEAT)	
*****				S753	1-762-875-21	SWITCH, KEYBOARD (DISPLAY/CHAR)	
	1-678-456-11	PSW BOARD *****		S754	1-762-875-21	SWITCH, KEYBOARD (I/⌂)	
		< CAPACITOR >		S755	1-762-875-21	SWITCH, KEYBOARD (TIME)	
C756	1-124-589-11	ELECT 47uF 20%	16V	S756	1-570-101-61	SWITCH, KEY BOARD (S.F EDIT)	
C757	1-164-159-11	CERAMIC 0.1uF	50V	S757	1-570-101-51	SWITCH, KEY BOARD (FILTER)	
		< CONNECTOR >		S758	1-771-171-11	SWITCH, ROTARY (INPUT)	
1-678-450-11		REC BOARD *****		S759	1-771-171-11	SWITCH, ROTARY (REC MODE)	
		< DIODE >		S760	1-786-027-11	SWITCH, SLIDE (TIMER)	
1-678-450-11		REC BOARD *****		*****			
		< IC >				< GROUND >	
EP302	1-537-771-21	TERMINAL BOARD, GROUND				< VARIABLE RESISTOR >	
		< TRANSISTOR >					
IC751	8-749-013-92	IC GP1UC7X					
		< RESISTOR >					
Q751	8-729-900-80	TRANSISTOR UN4211-TA					
Q752	8-729-900-80	TRANSISTOR UN4211-TA					
Q753	8-729-900-80	TRANSISTOR UN4211-TA					
		< RESISTOR >					
R752	1-249-421-11	CARBON 2.2K 5%	1/4W F				
R753	1-247-843-11	CARBON 3.3K 5%	1/4W				
R754	1-249-425-11	CARBON 4.7K 5%	1/4W F				
R755	1-249-429-11	CARBON 10K 5%	1/4W				
R756	1-249-435-11	CARBON 33K 5%	1/4W				
		< RESISTOR >					
R758	1-249-421-11	CARBON 2.2K 5%	1/4W F				
R759	1-247-843-11	CARBON 3.3K 5%	1/4W				
R760	1-249-425-11	CARBON 4.7K 5%	1/4W F				
R762	1-249-426-11	CARBON 5.6K 5%	1/4W				
R763	1-249-425-11	CARBON 4.7K 5%	1/4W F				
		< RESISTOR >					
R764	1-249-429-11	CARBON 10K 5%	1/4W				
R765	1-249-435-11	CARBON 33K 5%	1/4W				
R767	1-249-426-11	CARBON 5.6K 5%	1/4W				
R768	1-249-425-11	CARBON 4.7K 5%	1/4W F				
R769	1-249-429-11	CARBON 10K 5%	1/4W				
		< RESISTOR >					
R770	1-249-435-11	CARBON 33K 5%	1/4W				
R771	1-249-403-11	CARBON 68 5%	1/4W F				
R772	1-249-404-00	CARBON 82 5%	1/4W F				
R773	1-249-409-11	CARBON 220 5%	1/4W F				
R774	1-249-429-11	CARBON 10K 5%	1/4W				
		< RESISTOR >					
R775	1-249-429-11	CARBON 10K 5%	1/4W				
R776	1-249-401-11	CARBON 47 5%	1/4W F				
R777	1-247-807-31	CARBON 100 5%	1/4W				
R778	1-247-807-31	CARBON 100 5%	1/4W				
R779	1-247-807-31	CARBON 100 5%	1/4W				

Ref. No.	Part No.	Description	Remarks
		< SWITCH >	
S751	1-762-875-21	SWITCH, KEYBOARD (PLAY MODE)	
S752	1-762-875-21	SWITCH, KEYBOARD (REPEAT)	
S753	1-762-875-21	SWITCH, KEYBOARD (DISPLAY/CHAR)	
S754	1-762-875-21	SWITCH, KEYBOARD (I/⌂)	
S755	1-762-875-21	SWITCH, KEYBOARD (TIME)	
		< SWITCH >	
S756	1-570-101-61	SWITCH, KEY BOARD (S.F EDIT)	
S757	1-570-101-51	SWITCH, KEY BOARD (FILTER)	
S758	1-771-171-11	SWITCH, ROTARY (INPUT)	
S759	1-771-171-11	SWITCH, ROTARY (REC MODE)	
S760	1-786-027-11	SWITCH, SLIDE (TIMER)	
		< GROUND >	
EP302	1-537-771-21	TERMINAL BOARD, GROUND	
		< CONNECTOR >	
CN351	1-691-770-11	PLUG (MICRO CONNECTOR) 8P	
		< RESISTOR >	
R351	1-216-081-00	METAL CHIP 22K 5%	1/10W
R352	1-216-081-00	METAL CHIP 22K 5%	1/10W
		< VARIABLE RESISTOR >	
RV351	1-227-226-11	RES, VAR 20K/20K (ANALOG REC LEVEL)	
		< RESISTOR >	
		MISCELLANEOUS *****	
68	1-792-853-11	WIRE(FLAT TYPE) (25 CORE)	
110	1-791-167-11	WIRE (FLAT TYPE)	
112	1-792-854-11	WIRE (FLAT TYPE) (21 CORE)	
116	1-792-852-11	WIRE (FLAT TYPE) (23 CORE)	
119	1-790-202-11	WIRE (FLAT TYPE) (23 CORE)	
120	1-791-168-11	WIRE (FLAT TYPE)	
△121	1-558-568-21	CORD, POWER (AEP)	
△121	1-696-586-11	CORD, POWER (UK)	
△121	1-790-154-31	CORD, POWER (US/CND)	
251	1-667-954-11	PC BOARD, FLEXIBLE	
△259	A-4672-541-A	OPTICAL PICK-UP KMS-260AJ1N	
HR901	1-500-565-11	HEAD, OVER LIGHT	
M10	X-4949-791-1	MOTOR (LOADING) ASSY	
S101	1-762-148-21	SWITCH, PUSH (2 KEY)(REFLECT/PROTECTDET)	
△T801	1-435-605-11	TRANSFORMER, POWER (AEP/UK)	
△T801	1-435-606-11	TRANSFORMER, POWER (US/CND)	

The components identified by mark △ or dotted line with mark △ are critical for safety. Replace only with part number specified.	Les composants identifiés par une marque △ sont critiques pour la sécurité. Ne les remplacer que par une pièce portant le numéro spécifié.
----------------------------------------------------------------------------------------------------------------------------------	--------------------------------------------------------------------------------------------------------------------------------------------

Ref. No.	Part No.	Description	Remarks	Ref. No.	Part No.	Description	Remarks
		ACCESSORIES & PACKING MATERIALS				*****	
		*****				HARDWARE LIST	
		*****				*****	
	1-476-102-11	REMOTE COMMANDER (RM-D51M)		#1	7-685-885-09	SCREW +BVTT 4X16 (S)	
	1-590-925-31	CORD,CONNECTION		#2	7-685-880-09	SCREW +BVTT 4X6 (S)	
	1-777-172-11	CORD,CONNECTION (CND)		#3	7-685-871-01	SCREW +BVTT 3X6 (S)	
	4-229-130-11	MANUAL, INSTRUCTION (ENGLISH/FRENCH)		#4	7-685-103-19	SCREW +P 2X5 TYPE2 NON-SLIT	
	4-229-130-21	MANUAL, INSTRUCTION (GERMAN/SPANISH/ITALIAN)(AEP)		#5	7-685-133-19	SCREW (DIA. 2.6) (IT3B)	
	4-229-130-31	MANUAL, INSTRUCTION (DUTCH/SWEDISH/PORUTUGUESE)(AEP)		#6	7-621-772-00	SCREW +B 2X3	
	4-983-537-01	COVER,BATTERY(FOR RM-D51M)		#7	7-621-772-20	SCREW +B 2X5	
		*****		#8	7-621-772-40	SCREW +B 2X8	
		*****		#9	7-685-850-04	SCREW +BVTT 2X3 (S)	
		*****		#10	7-685-873-09	SCREW +BVTT 3X10 (S)	
		*****		#11	7-685-548-19	SCREW +BTP 3X12 TYPE2 N-S	